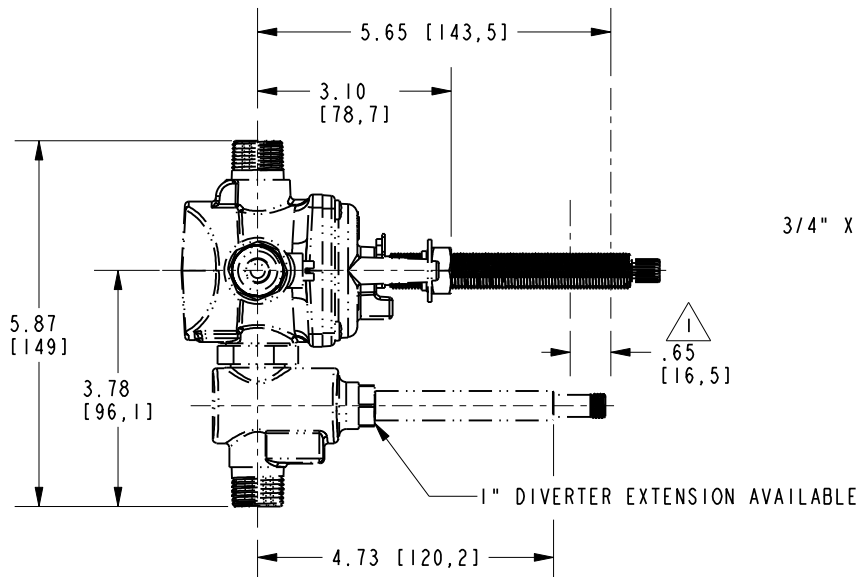
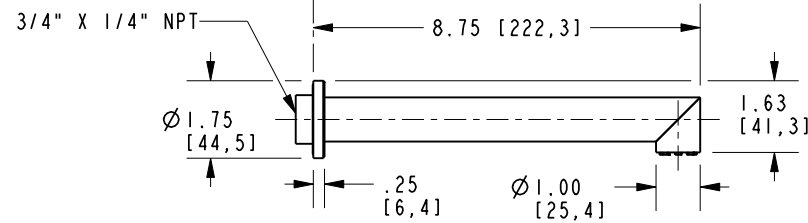
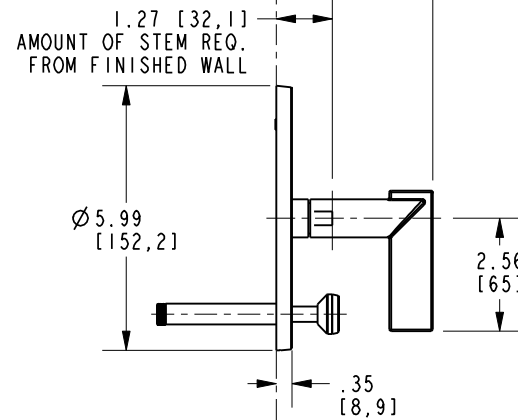
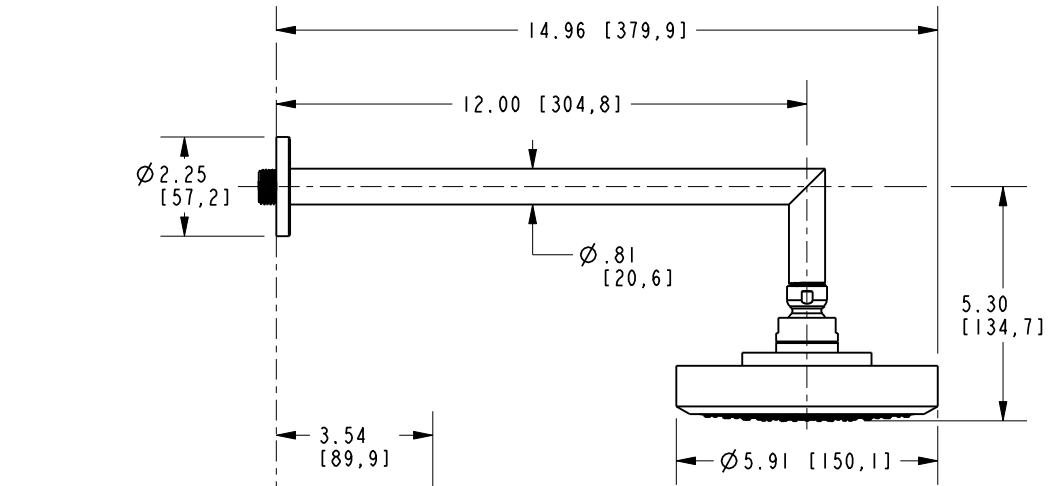
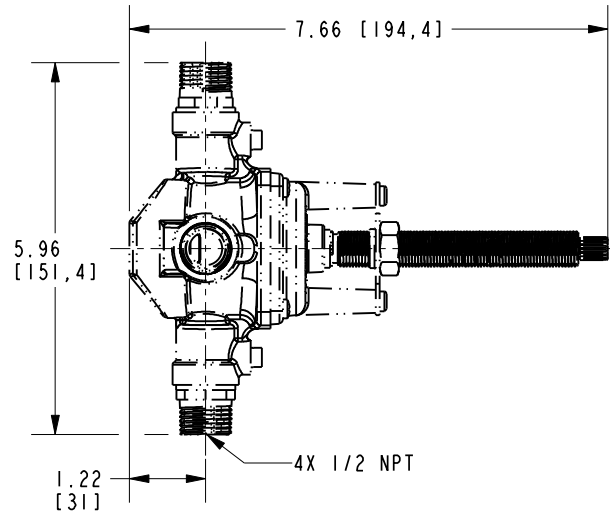


BRASSTECH		2001 E. CARNEGIE AVE.
INCORPORATED		SANTA ANA, CA 92705
		(949) 417-5207
DWG NO.	3-2492BP	REV D
SCALE .250	REF. -	SHEET 2 OF 3

NOTE:

1. CUT ALL-THREAD 0.65" SHORTER THAN STEM



BRASSTECH		2001 E. CARNEGIE AVE.	
INCORPORATED		SANTA ANA, CA 92705	
		(949) 417-5207	
DWG NO.	3-2492BP		REV D
SCALE .250	REF. -	SHEET 3 OF 3	