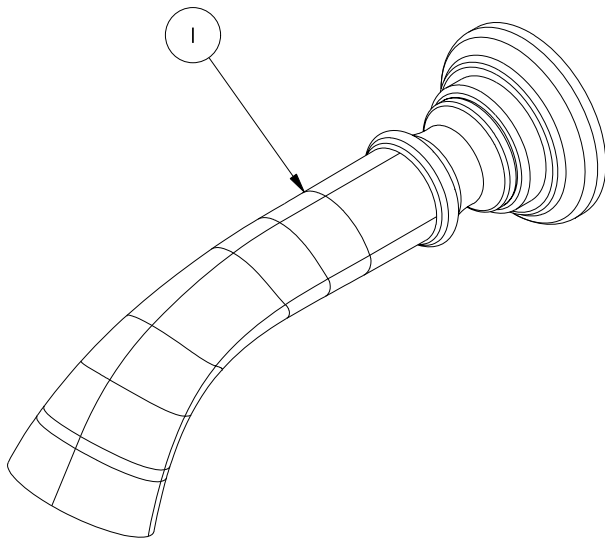
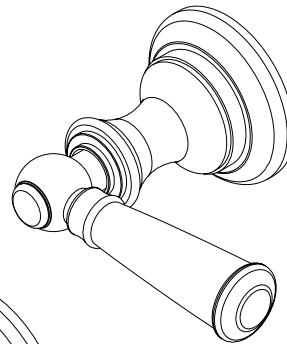
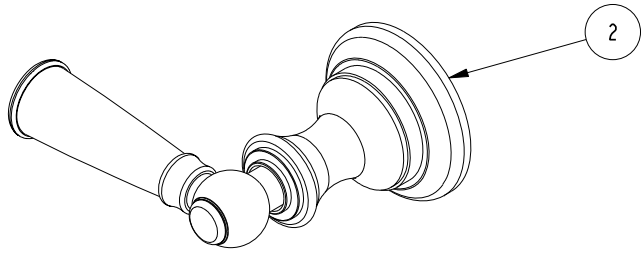
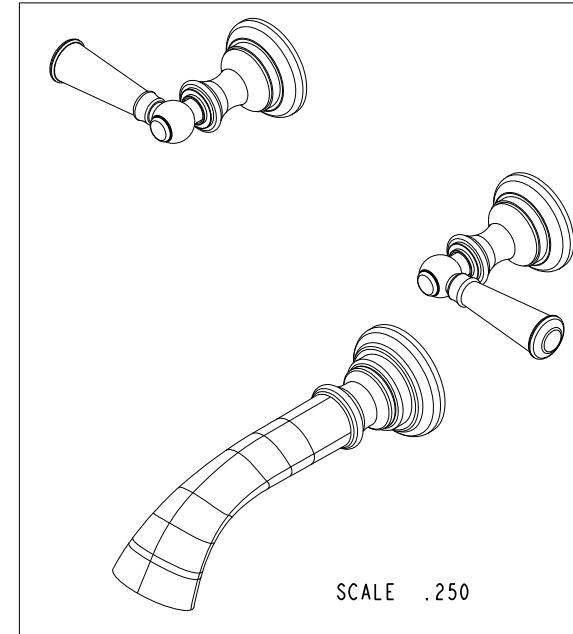


NOTES:

- (N1) 1. FIT / FORM / FUNCTION SHALL FOLLOW PS-E.008.



BILL OF MATERIAL (CURRENT LEVEL)				
ITEM	PT/ASSY	DESCRIPTION	TYPE	QTY.
1	3-388	SPOUT ASM WITH ESCUTCHEON TUB	ASSEMBLY	1
2	3-379	LEVER HANDLE ASSEMBLY	ASSEMBLY	2



TESTING	-	-	-	UNITS ARE: INCHES [MM]	
ASSEMBLY	-	-	-	TOLERANCES ARE:	
PLATING	-	-	-	FRACTIONS DECIMALS	ANGLES
POLISHING	-	-	-	±1/16"	±1°
MACHINING	-	NEXT ASSY	USED ON	.X ±.1 [2,5]	
TOOLING FIXTURE #				.XX ±.06 [1,3]	
				(X.XXX) DENOTES CRITICAL DIMS.	
				ALL THREADS ARE CRITICAL	
				DRAWN	
				CHECKED	
				APPROVED	

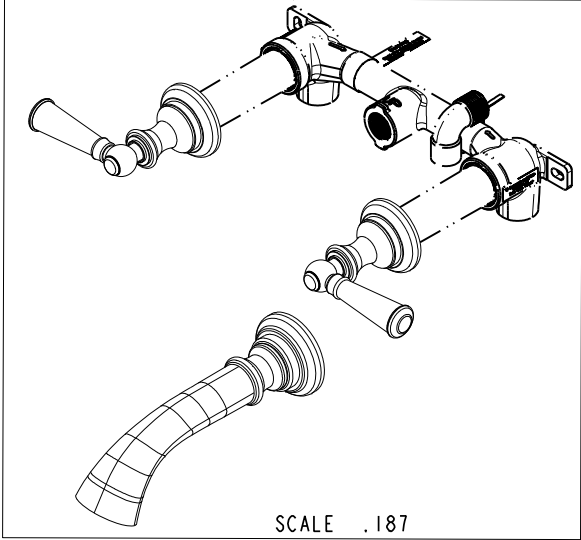
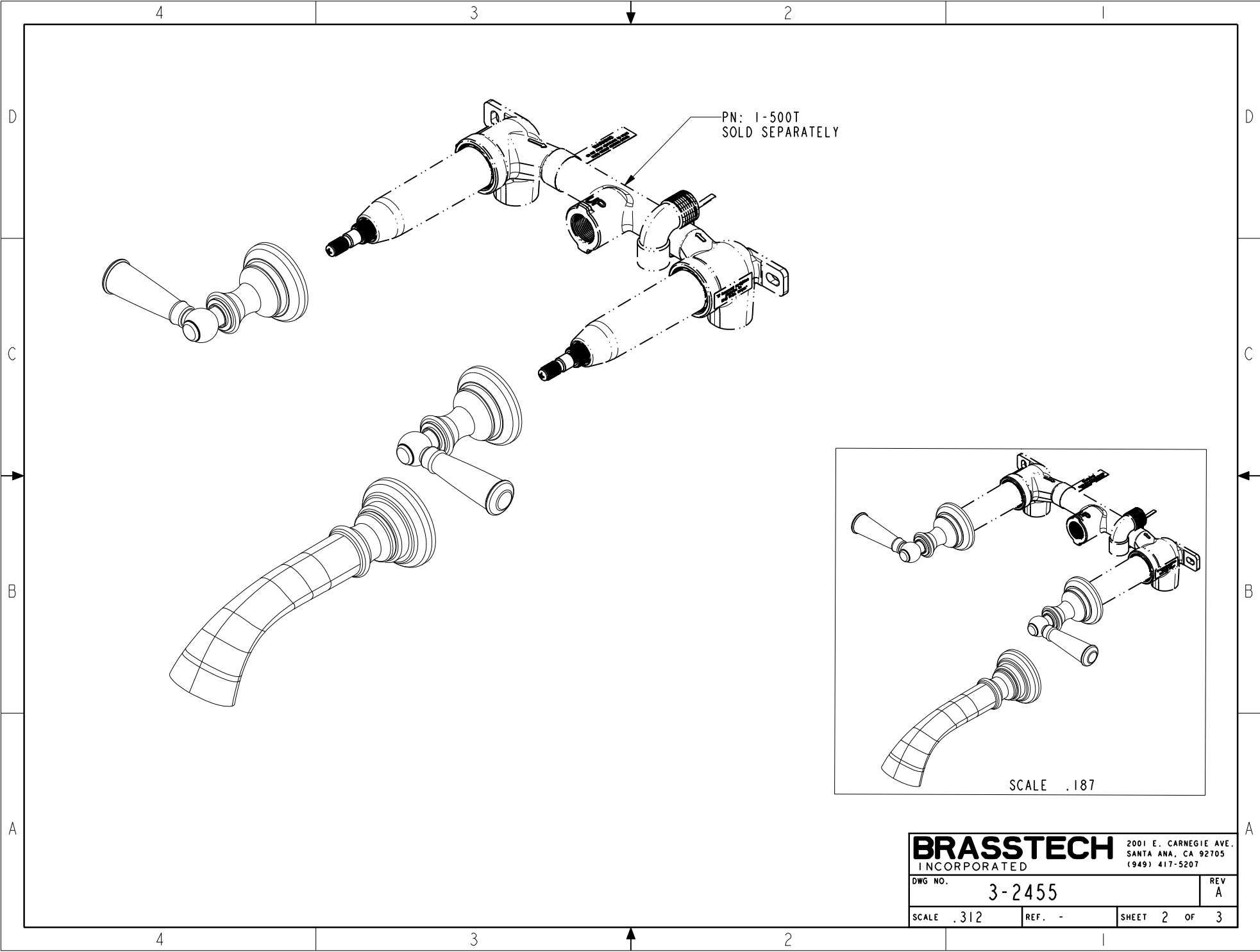
BRASSTECH 2001 CARNEGIE AVE.
INCORPORATED SANTA ANA, CA 92705
(949) 417-5207

WALL MOUNTED TUB TRIM KIT

DWG NO.	3-2455	REV	A
SCALE	.500	REF.	-
SHEET	1	OF	3

COPYRIGHT 2005 BRASSTECH, INC.
THESE DRAWINGS AND THE DESIGNS
DEPICTED HEREIN ARE THE PROPRIETARY
PROPERTY OF BRASSTECH. ANY USE
OR REPRODUCTION IS SUBJECT TO
THE EXPRESS APPROVAL OF BRASSTECH.
UNAUTHORIZED USE IS STRICTLY
PROHIBITED. ALL RIGHTS RESERVED.

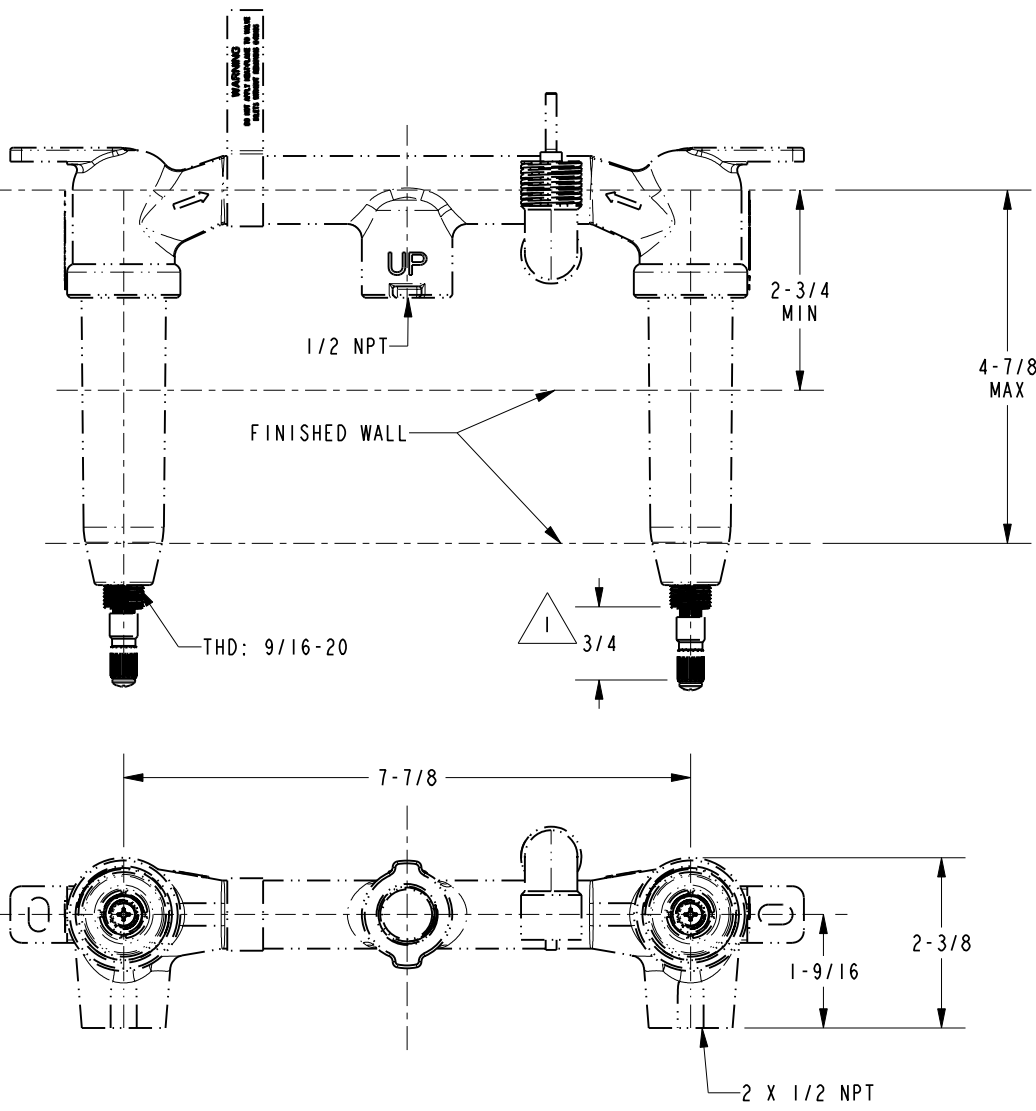
REV	DESCRIPTION	DATE	APPROVED
A	EN-3072	12/20/17	J.M.
-	EN-1266	05/14/10	-



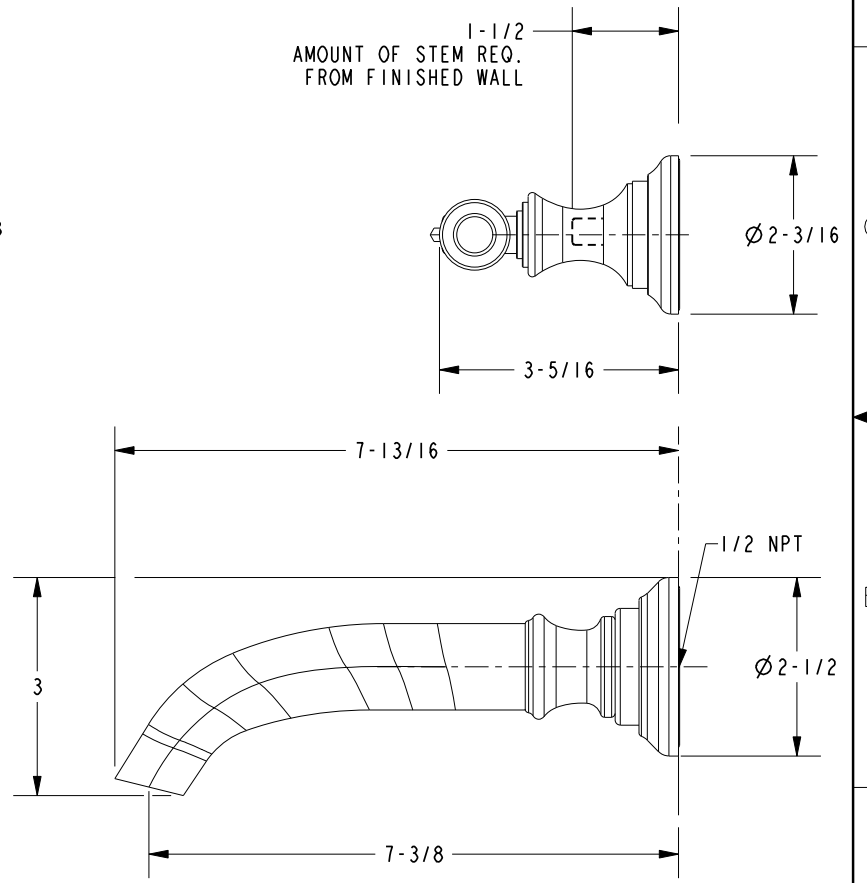
BRASSTECH		2001 E. CARNEGIE AVE.	
INCORPORATED		SANTA ANA, CA 92705	
DWG NO. 3-2455		REV A	
SCALE .312	REF. -	SHEET 2 OF 3	

NOTES:

1. CUT ALL THREADS 3/4" SHORTER THAN STEM



1-1/2
AMOUNT OF STEM REQ.
FROM FINISHED WALL



BRASSTECH		2001 E. CARNEGIE AVE.	
INCORPORATED		SANTA ANA, CA 92705	
		(949) 417-5207	
DWG NO.	3-2455	REV	A
SCALE	.375	REF.	-
		SHEET	3 OF 3