

4

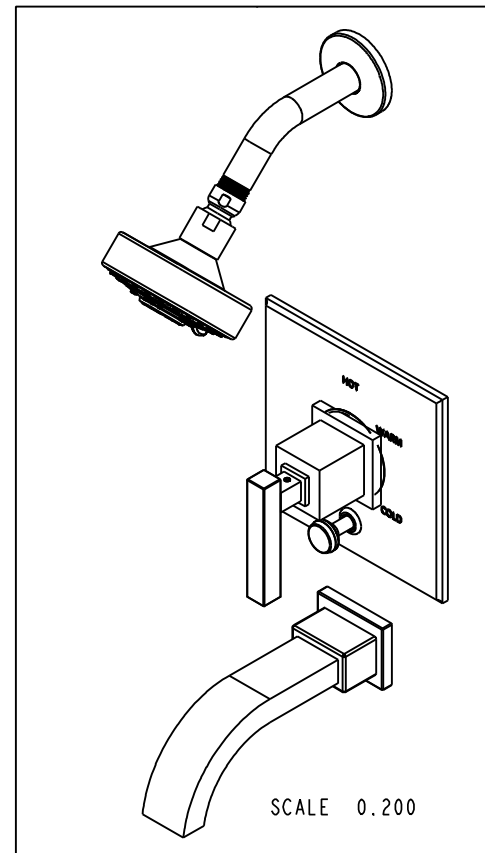
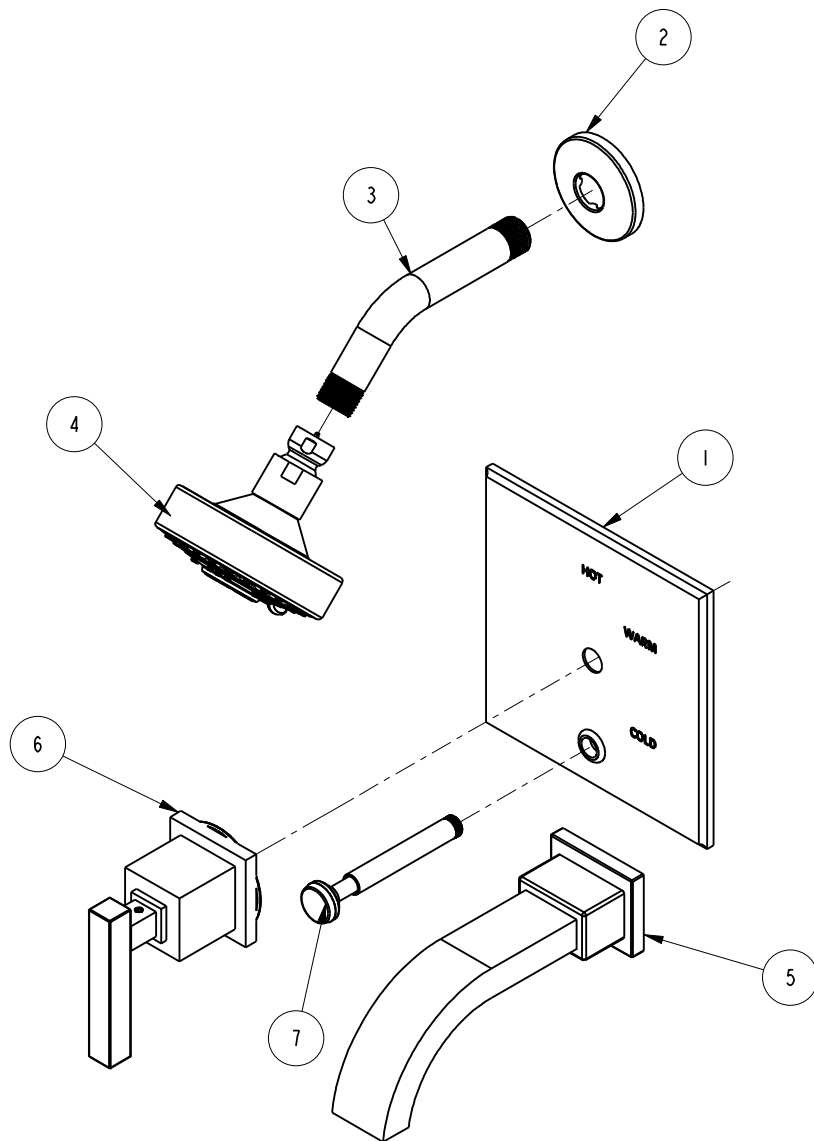
3

2

1

BILL OF MATERIAL (CURRENT LEVEL)

ITEM	PT/ASSY	DESCRIPTION	TYPE	QTY.
1	2-292	COVERPLATE BP W/DIVERTER	ASSEMBLY	1
2	206	SHOWER ARM FLANGE	PART	1
3	200	SHOWER ARM 6" BRASS	PART	1
4	2155	SHOWER HEAD, CONTEMP	ASSEMBLY	1
5	3-328	TUB WALL SPOUT ASM	ASSEMBLY	1
6	3-220H	ASSY, HANDLE TRIM, HOT	ASSEMBLY	1
7	2-217	DIVERTER TRIM KIT	ASSEMBLY	1



E	EN-2802	09/08/14
D	EN-1753	08/22/11
C	EN-1745	05/13/11
B	EN-1183	03/23/09
A	EO-259	03/22/04
-	RELEASED	09/27/99
REV	REV DESC	DATE

COPYRIGHT 2005 BRASSTECH, INC. THESE DRAWINGS AND THE DESIGNS DEPICTED HEREIN ARE THE PROPRIETARY PROPERTY OF BRASSTECH. ANY USE OR REPRODUCTION IS SUBJECT TO THE EXPRESS APPROVAL OF BRASSTECH. UNAUTHORIZED USE IS STRICTLY PROHIBITED. ALL RIGHTS RESERVED.

BRASSTECH
INCORPORATED
2001 CARNEGIE AVE.
SANTA ANA, CA 92705
(949) 417-5207

TUB/SHOWER SET TRIM KIT

ASSY. NO. 3-2022BP

SCALE 0.250

REF. -

SHEET 1 OF 3

REV

REV DESC

DATE

4

3

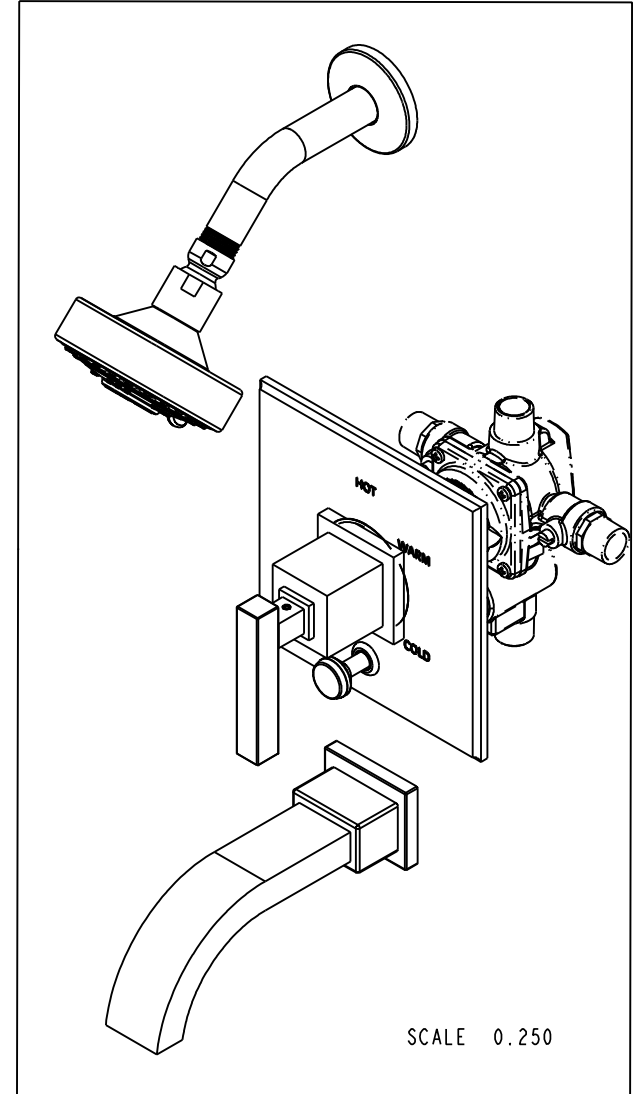
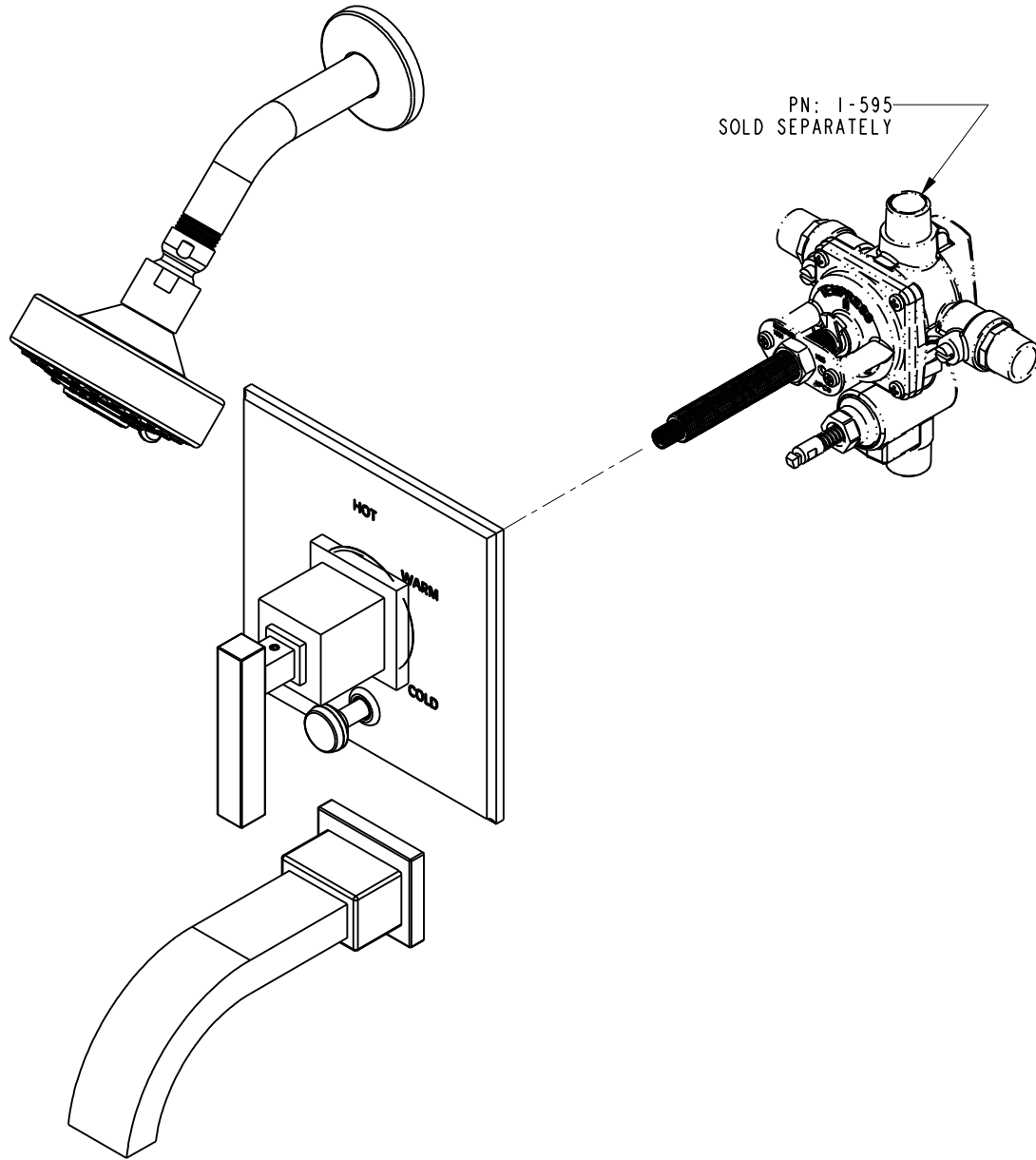
2

1

4 3 2 1

SPECIFICATION DWG

PN: 1-595
SOLD SEPARATELY



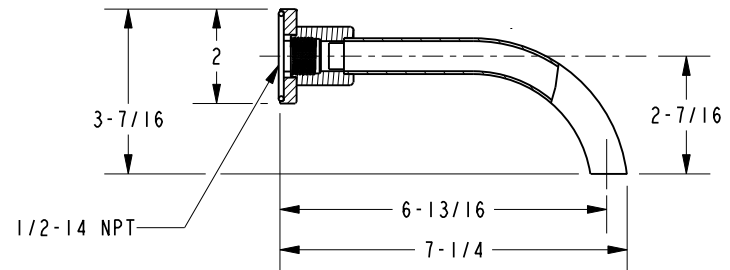
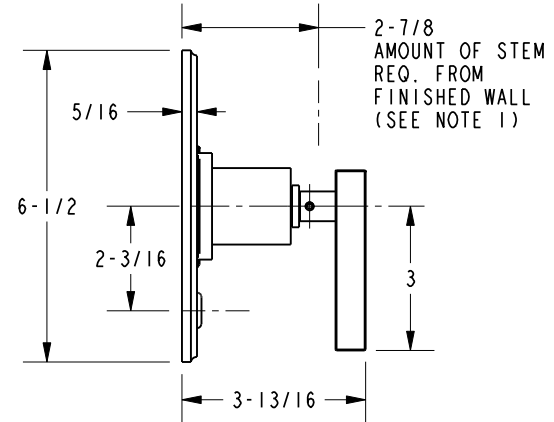
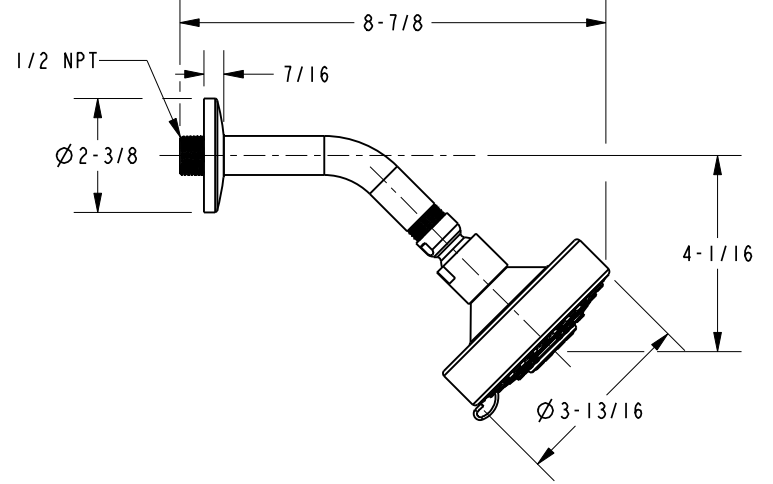
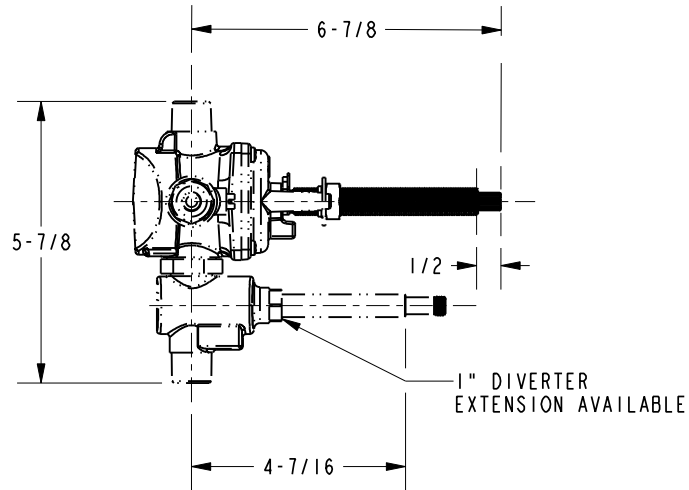
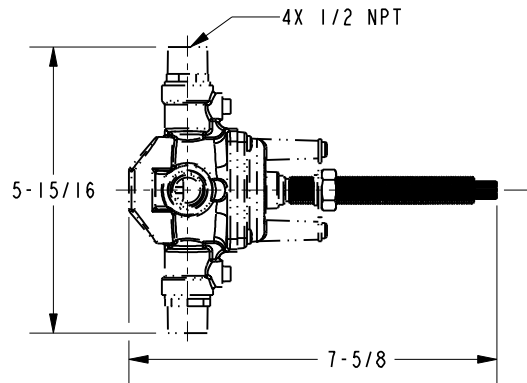
DIMENSIONS ARE IN INCHES AND AN APPROXIMATION OF A TYPICAL INSTALLATION

COPYRIGHT 2005 BRASSTECH, INC. THESE DRAWINGS AND THE DESIGNS DEPICTED HEREIN ARE THE PROPRIETARY PROPERTY OF BRASSTECH. ANY USE OR REPRODUCTION IS SUBJECT TO THE EXPRESS APPROVAL OF BRASSTECH. UNAUTHORIZED USE IS STRICTLY PROHIBITED. ALL RIGHTS RESERVED.

BRASSTECH		2001 CARNEGIE AVE. SANTA ANA, CA 92705 (949) 417-5207	
DWG NO.	3-2022BP		REV E
SCALE 0.300	REF. -	SHEET 2 OF 3	

SPECIFICATION DWG

NOTES:
 1. CUT STEM TO DIMENSION "A".
 CUT ALL-THREAD 1/2" SHORTER THAN STEM.



DIMENSIONS ARE IN INCHES AND AN APPROXIMATION OF A TYPICAL INSTALLATION

COPYRIGHT 2005 BRASSTECH, INC. THESE DRAWINGS AND THE DESIGNS DEPICTED HEREIN ARE THE PROPRIETARY PROPERTY OF BRASSTECH. ANY USE OR REPRODUCTION IS SUBJECT TO THE EXPRESS APPROVAL OF BRASSTECH. UNAUTHORIZED USE IS STRICTLY PROHIBITED. ALL RIGHTS RESERVED.

BRASSTECH		2001 CARNEGIE AVE. SANTA ANA, CA 92705 (949) 417-5207	
DWG NO.	3-2022BP		REV E
SCALE 0.250	REF. -	SHEET 3 OF 3	