

4

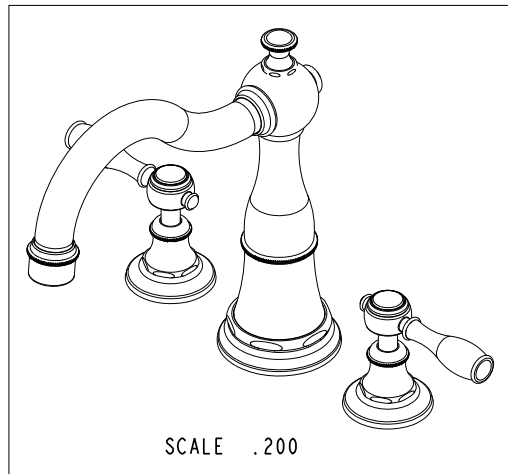
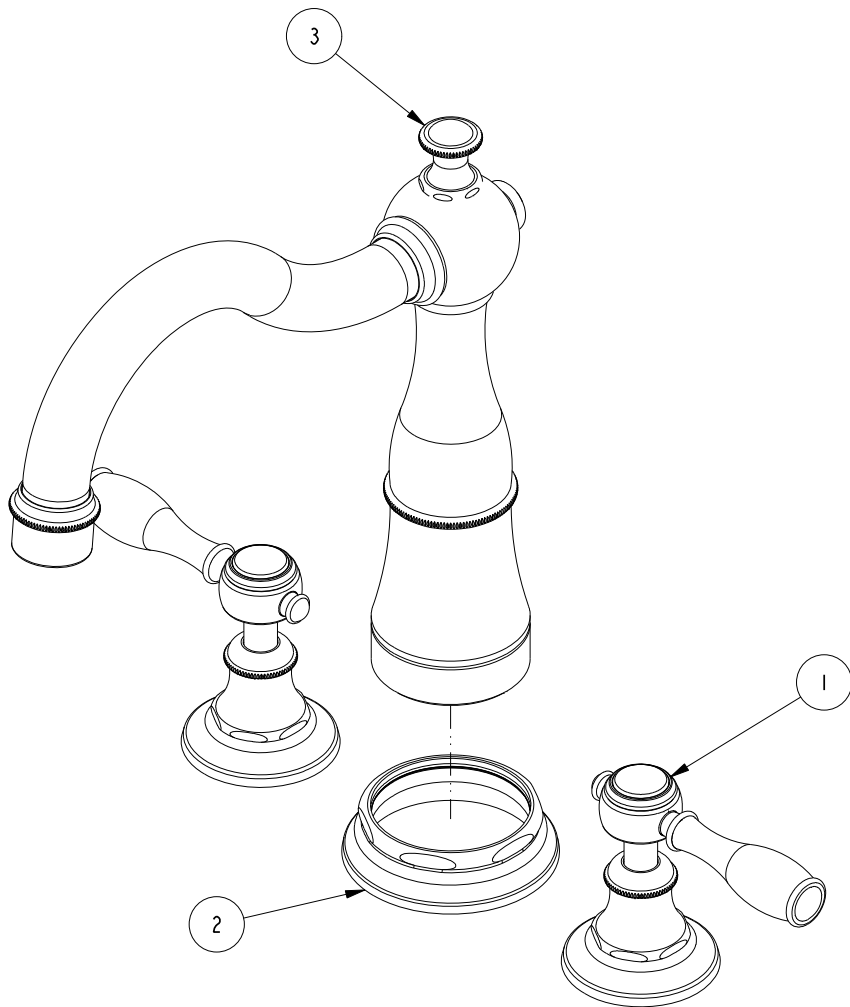
3

2

1

BILL OF MATERIAL (CURRENT LEVEL)

| ITEM | PT/ASSY | DESCRIPTION | TYPE | QTY. |
|------|---------|-----------------------|----------|------|
| 1 | 3-323 | LEVER HANDLE ASSEMBLY | ASSEMBLY | 2 |
| 2 | 2-496 | R/T SPOUT ESC ASM | ASSEMBLY | 1 |
| 3 | 3-296 | R/T SPOUT ASM | ASSEMBLY | 1 |



D

C

B

A

D

C

B

A

COPYRIGHT 2005 BRASSTECH, INC. THESE DRAWINGS AND THE DESIGNS DEPICTED HEREIN ARE THE PROPRIETARY PROPERTY OF BRASSTECH. ANY USE OR REPRODUCTION IS SUBJECT TO THE EXPRESS APPROVAL OF BRASSTECH. UNAUTHORIZED USE IS STRICTLY PROHIBITED. ALL RIGHTS RESERVED.

BRASSTECH
 INCORPORATED
 2001 CARNEGIE AVE.
 SANTA ANA, CA 92705
 (949) 417-5207

ROMAN TUB TRIM, 3-1776

ASSY. NO. 3-1776

SCALE .350

REF. -

SHEET 1 OF 3

| | | |
|-----|----------|----------|
| - | - | - |
| A | EN-2032 | 01/07/14 |
| REV | REV DESC | DATE |

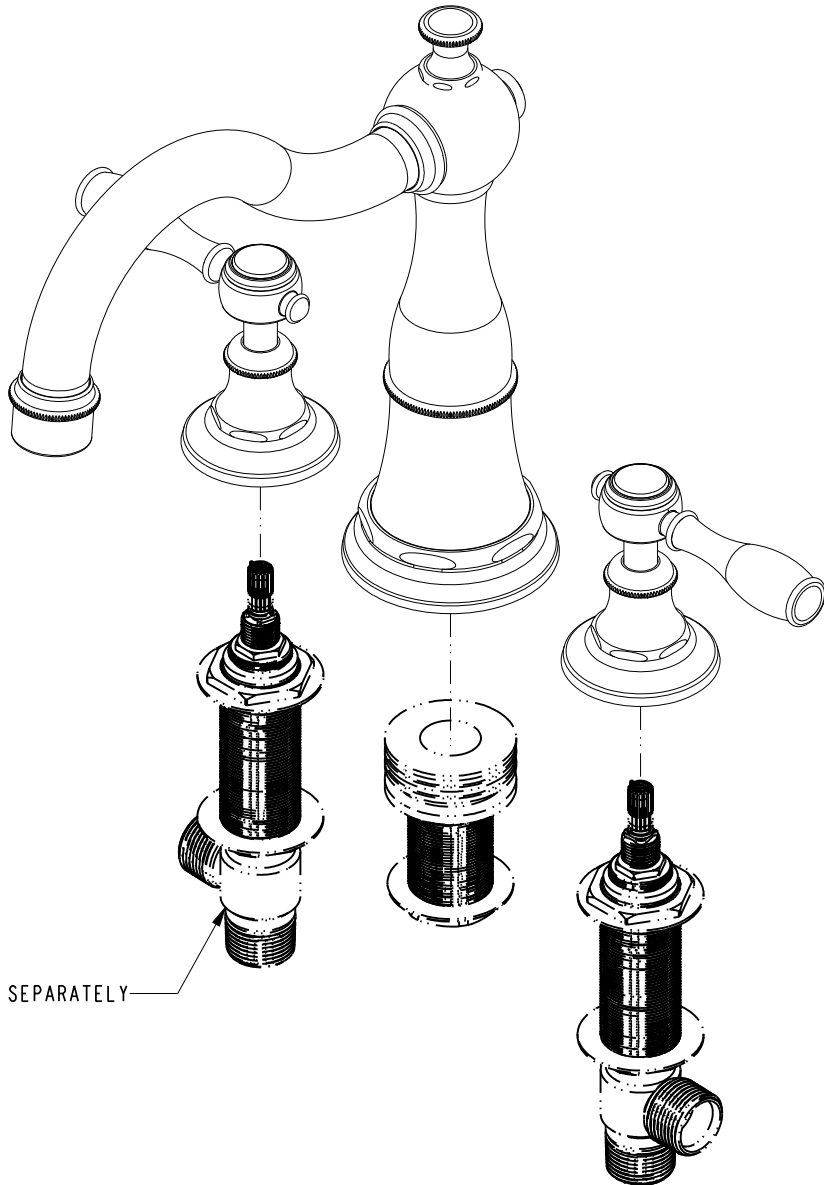
4

3

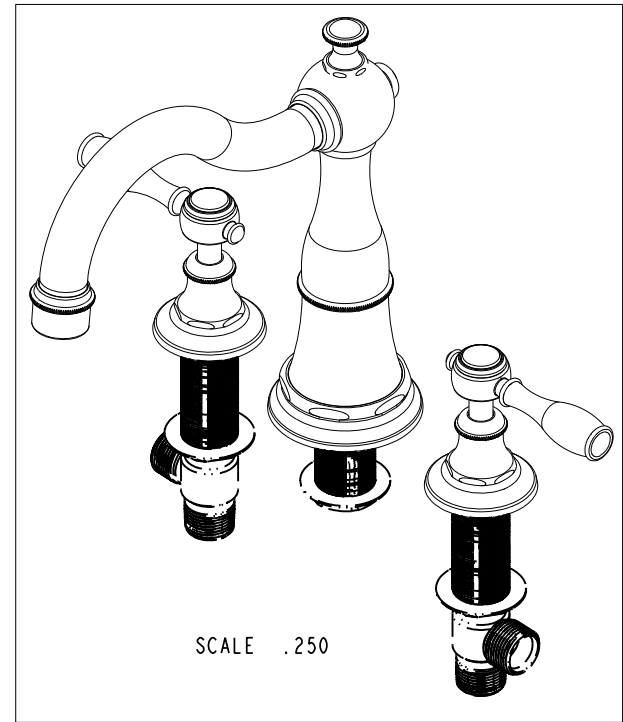
2

1

SPECIFICATION DWG



PN # 1-586 SOLD SEPARATELY



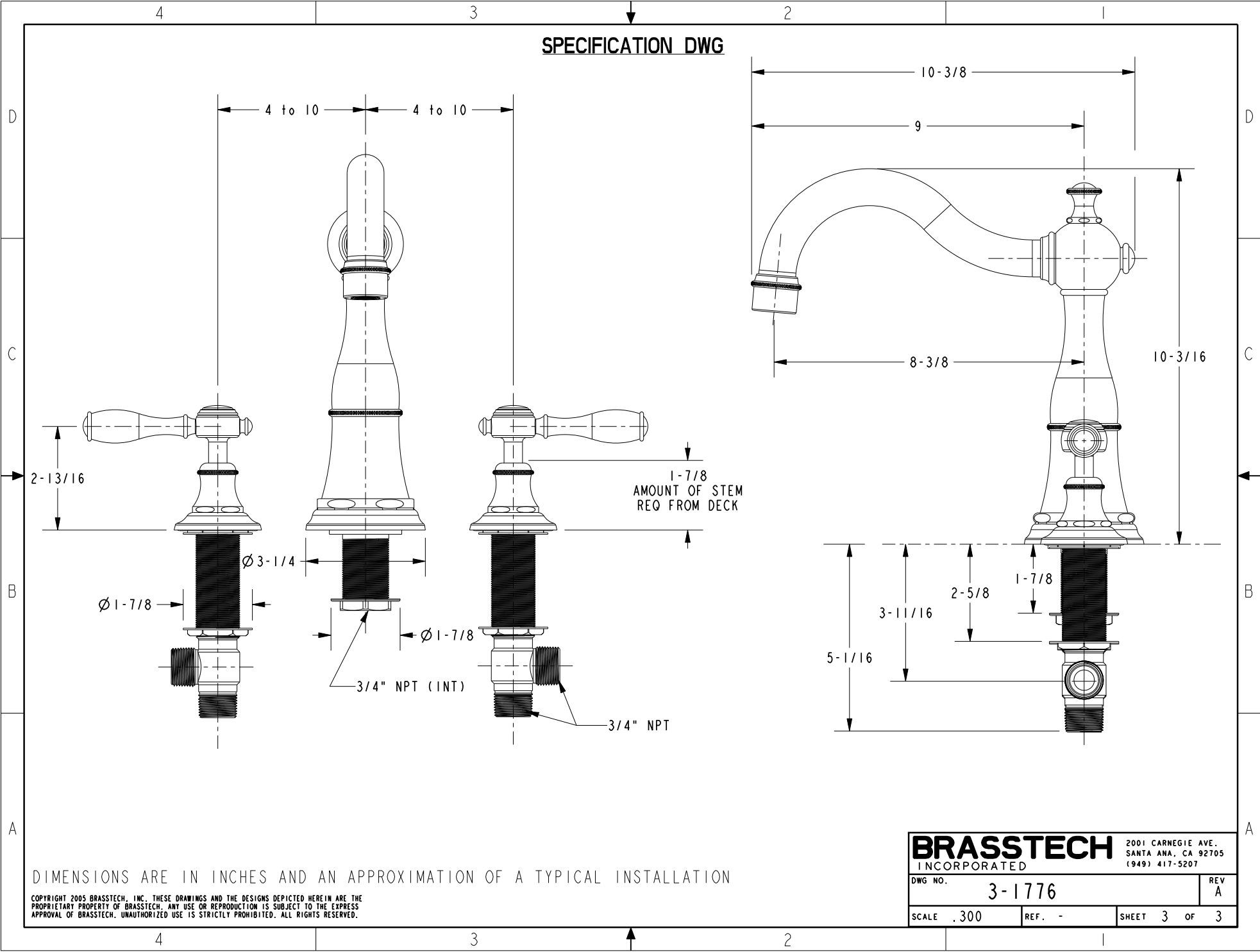
SCALE .250

DIMENSIONS ARE IN INCHES AND AN APPROXIMATION OF A TYPICAL INSTALLATION

COPYRIGHT 2005 BRASSTECH, INC. THESE DRAWINGS AND THE DESIGNS DEPICTED HEREIN ARE THE PROPRIETARY PROPERTY OF BRASSTECH. ANY USE OR REPRODUCTION IS SUBJECT TO THE EXPRESS APPROVAL OF BRASSTECH. UNAUTHORIZED USE IS STRICTLY PROHIBITED. ALL RIGHTS RESERVED.

| | | | |
|------------------|--------|---|--------|
| BRASSTECH | | 2001 CARNEGIE AVE. SANTA ANA, CA 92705 (949) 417-5207 | |
| INCORPORATED | | | |
| DWG NO. | 3-1776 | REV | A |
| SCALE | .350 | REF. | - |
| | | SHEET | 2 OF 3 |

SPECIFICATION DWG



DIMENSIONS ARE IN INCHES AND AN APPROXIMATION OF A TYPICAL INSTALLATION

COPYRIGHT 2005 BRASSTECH, INC. THESE DRAWINGS AND THE DESIGNS DEPICTED HEREIN ARE THE PROPRIETARY PROPERTY OF BRASSTECH. ANY USE OR REPRODUCTION IS SUBJECT TO THE EXPRESS APPROVAL OF BRASSTECH. UNAUTHORIZED USE IS STRICTLY PROHIBITED. ALL RIGHTS RESERVED.

| | | |
|------------------|--------|---|
| BRASSTECH | | 2001 CARNEGIE AVE. SANTA ANA, CA 92705 (949) 417-5207 |
| DWG NO. | 3-1776 | REV A |
| SCALE | .300 | SHEET 3 OF 3 |