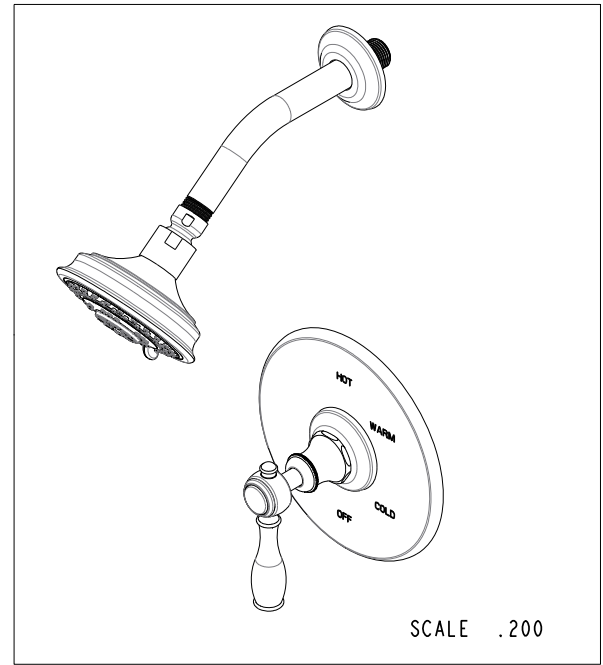
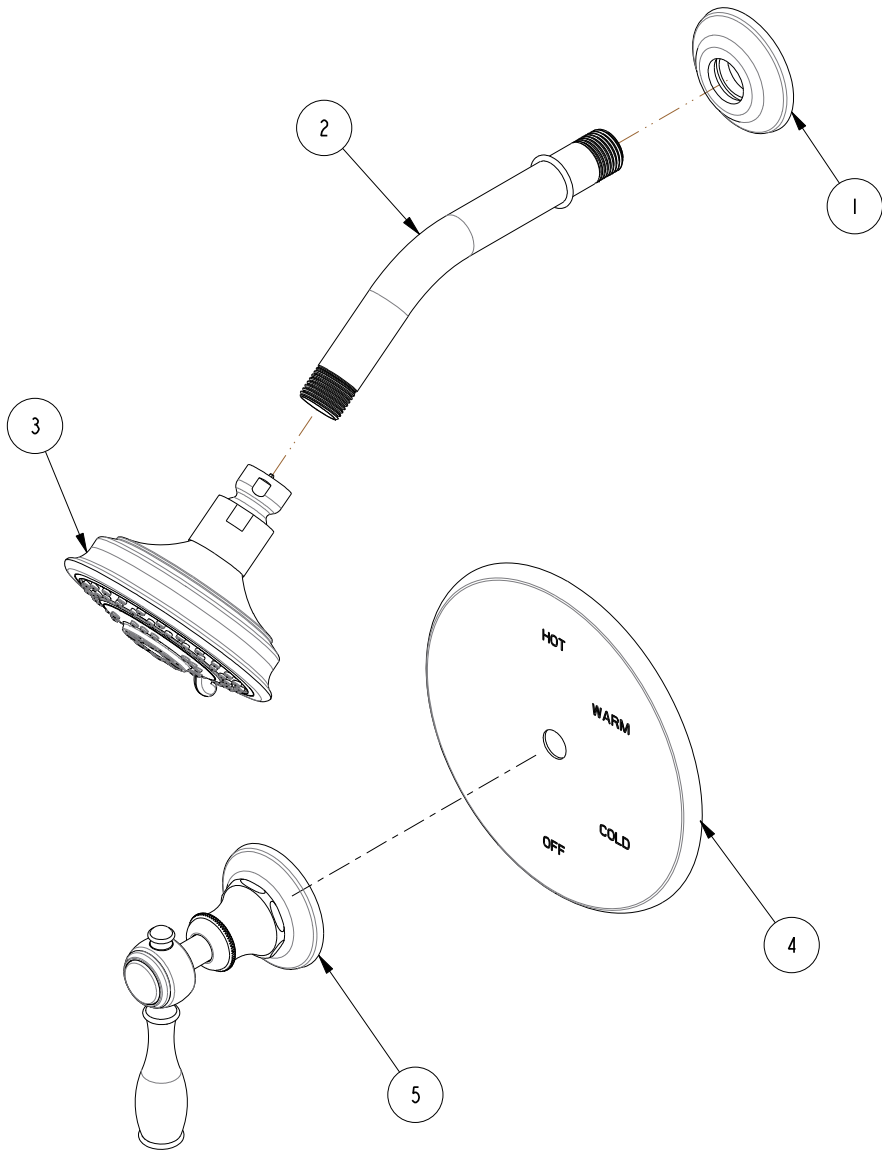


BILL OF MATERIAL (CURRENT LEVEL)				
ITEM	PT/ASSY	DESCRIPTION	TYPE	QTY.
1	2-503	SHOWER FLANGE ASM	ASSEMBLY	1
2	201	SHOWER ARM 8" BRASS	PART	1
3	2156	SHOWER HEAD, TRAD	ASSEMBLY	1
4	2-455	BP COVERPLATE - SHWR ONLY	ASSEMBLY	1
5	3-323	LEVER HANDLE ASSEMBLY	ASSEMBLY	1



COPYRIGHT 2005 BRASSTECH, INC. THESE DRAWINGS AND THE DESIGNS DEPICTED HEREIN ARE THE PROPRIETARY PROPERTY OF BRASSTECH. ANY USE OR REPRODUCTION IS SUBJECT TO THE EXPRESS APPROVAL OF BRASSTECH. UNAUTHORIZED USE IS STRICTLY PROHIBITED. ALL RIGHTS RESERVED.

**BRASSTECH**  
INCORPORATED

2001 E. CARNEGIE AVE.  
SANTA ANA, CA 92705  
(949) 417-5207

SHOWER TRIM, 3-1774BP

ASSY. NO. 3-1774BP

SCALE .300

REF. -

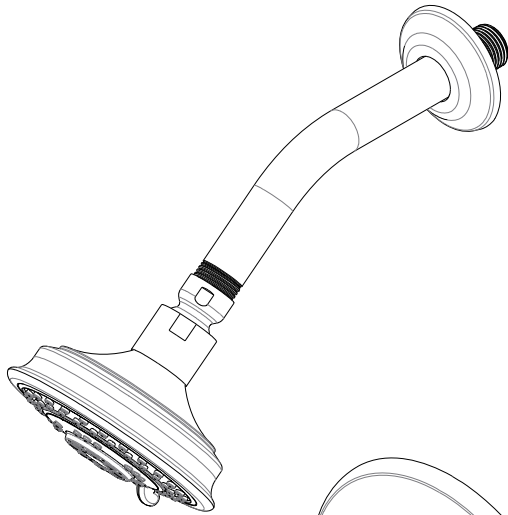
SHEET 1 OF 3

B	EN-2802	09/12/14
A	EN-1183	03/23/09
-	RELEASED	-
REV	REV DESC	DATE

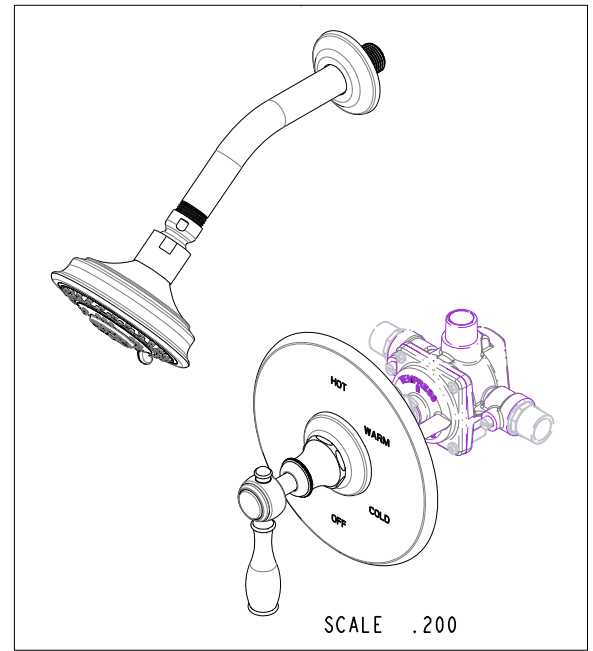
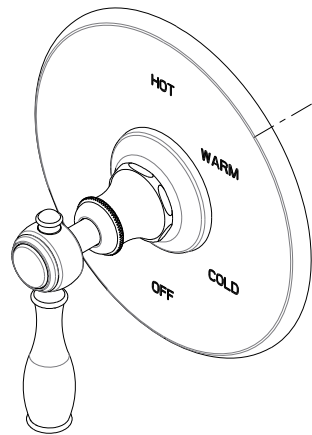
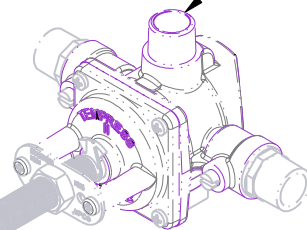
4 3 2 1

↓

**SPECIFICATION DWG**



PN: 1-594  
SOLD SEPARATELY



DIMENSIONS ARE IN INCHES AND AN APPROXIMATION OF A TYPICAL INSTALLATION

COPYRIGHT 2005 BRASSTECH, INC. THESE DRAWINGS AND THE DESIGNS DEPICTED HEREIN ARE THE PROPRIETARY PROPERTY OF BRASSTECH. ANY USE OR REPRODUCTION IS SUBJECT TO THE EXPRESS APPROVAL OF BRASSTECH. UNAUTHORIZED USE IS STRICTLY PROHIBITED. ALL RIGHTS RESERVED.

<b>BRASSTECH</b> INCORPORATED		<small>2001 CARNEGIE AVE. SANTA ANA, CA 92705 (949) 417-5207</small>	
		DWG NO. <b>3-1774BP</b>	REV <b>B</b>
SCALE <b>.300</b>	REF. <b>-</b>	SHEET <b>2</b> OF <b>3</b>	

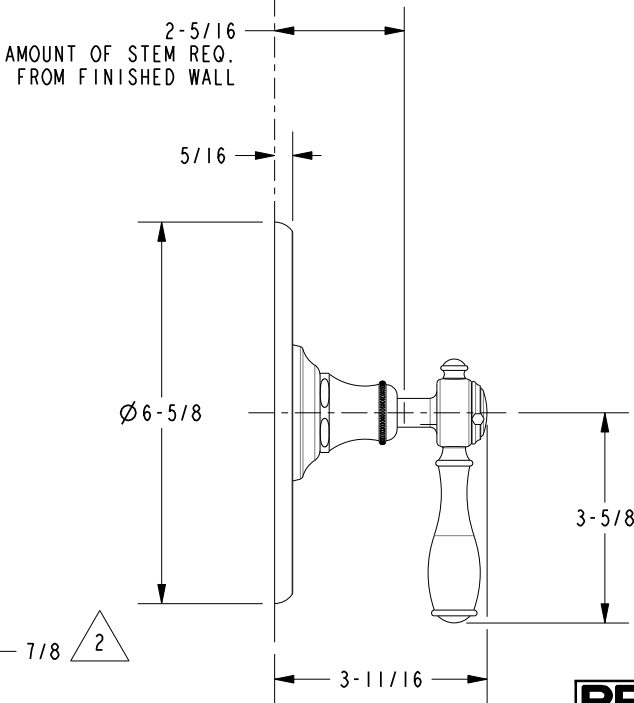
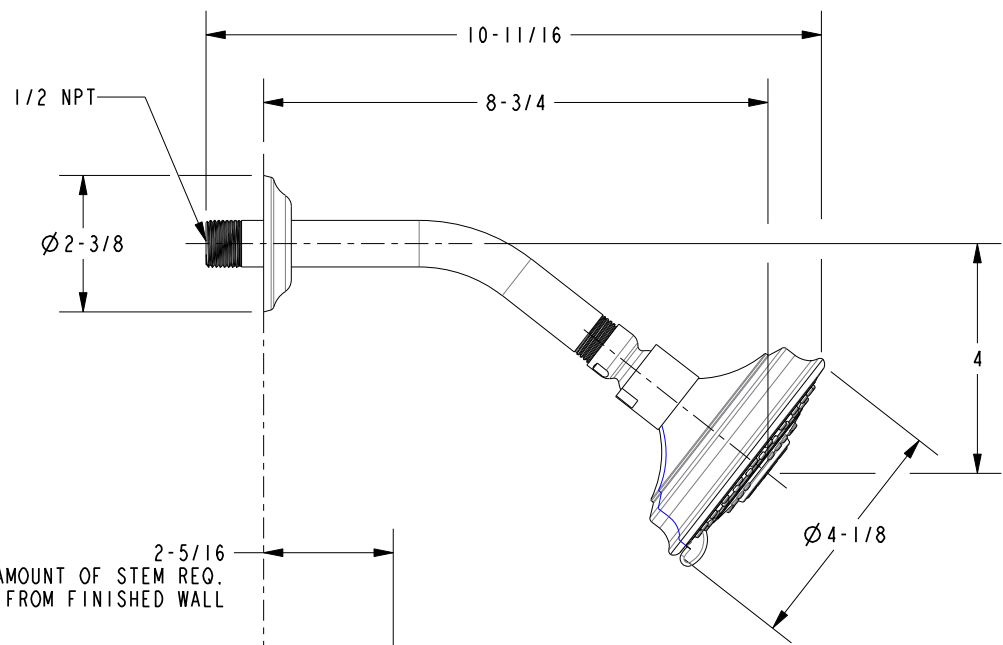
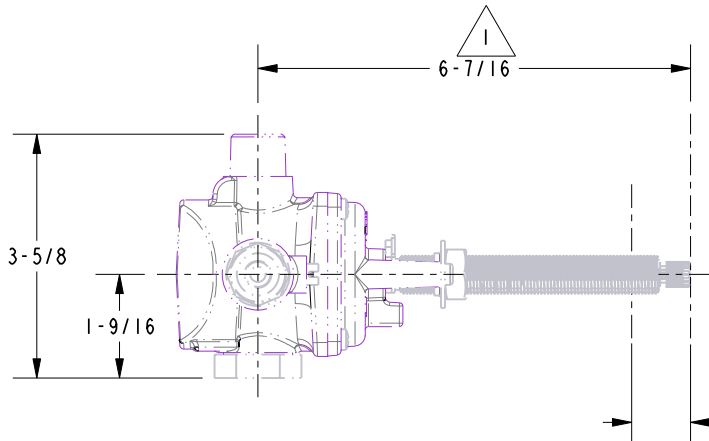
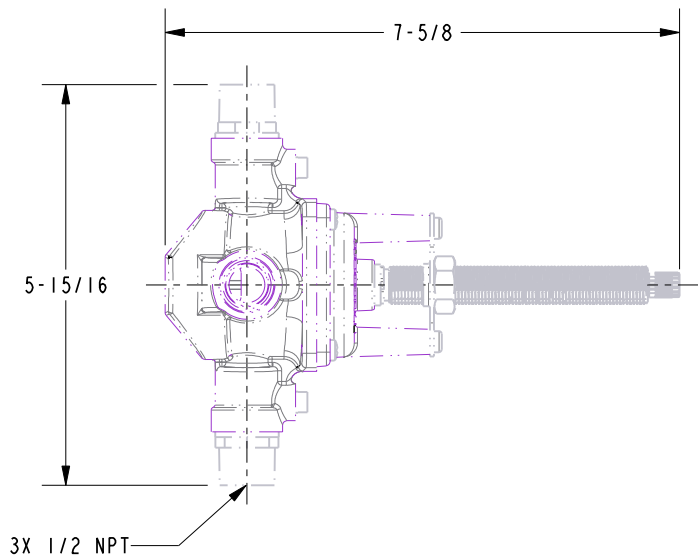
4 3 2 1

↑

**SPECIFICATION DWG**

**NOTES:**

- 1. CUT STEM TO DIMENSION SHOWN.
- 2. CUT ALL-THREAD 7/8" SHORTER THAN STEM



DIMENSIONS ARE IN INCHES AND AN APPROXIMATION OF A TYPICAL INSTALLATION

COPYRIGHT 2005 BRASSTECH, INC. THESE DRAWINGS AND THE DESIGNS DEPICTED HEREIN ARE THE PROPRIETARY PROPERTY OF BRASSTECH. ANY USE OR REPRODUCTION IS SUBJECT TO THE EXPRESS APPROVAL OF BRASSTECH. UNAUTHORIZED USE IS STRICTLY PROHIBITED. ALL RIGHTS RESERVED.

<b>BRASSTECH</b>		2001 CARNEGIE AVE. SANTA ANA, CA 92705 (949) 417-5207	
DWG NO.	3-1774BP		REV B
SCALE	.300	REF.	-
SHEET		3	OF 3