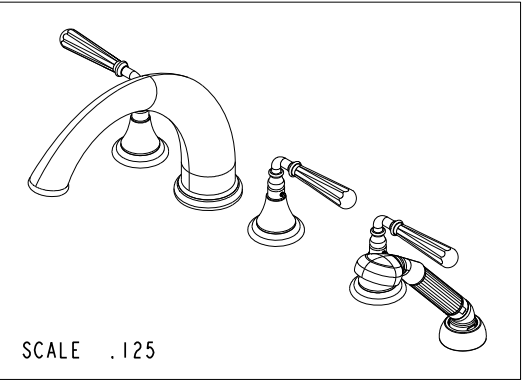


BILL OF MATERIAL (CURRENT LEVEL)

ITEM	PT/ASSY	DESCRIPTION	TYPE	QTY.
1	12171	ESCUTCHEON, ROMAN TUB	PART	2
2	10050	ESCUTCHEON WALL VALVE	PART	1
3	91231	O-RING, #2-136, EPDM, 65-75 DURO	PART	3
4	10095	ESCUTCHEON, 900 SERIES	PART	3
5	6-289	DECK FLANGE TRIM	ASSEMBLY	1
6	280	HAND SHOWER WITH GROOVE	ASSEMBLY	1
7	284	59 IN. SPIRAL SHOWER HOSE	ASSEMBLY	1
8	3-178	ROMAN TUB SPOUT	ASSEMBLY	1
9	2-470	LEVER HANDLE ASM W/8 FLATS	ASSEMBLY	3



COPYRIGHT 2005 BRASSTECH, INC. THESE DRAWINGS AND THE DESIGNS DEPICTED HEREIN ARE THE PROPRIETARY PROPERTY OF BRASSTECH. ANY USE OR REPRODUCTION IS SUBJECT TO THE EXPRESS APPROVAL OF BRASSTECH. UNAUTHORIZED USE IS STRICTLY PROHIBITED. ALL RIGHTS RESERVED.

BRASSTECH
INCORPORATED
2001 CARNEGIE AVE.
SANTA ANA, CA 92705
(949) 417-5207

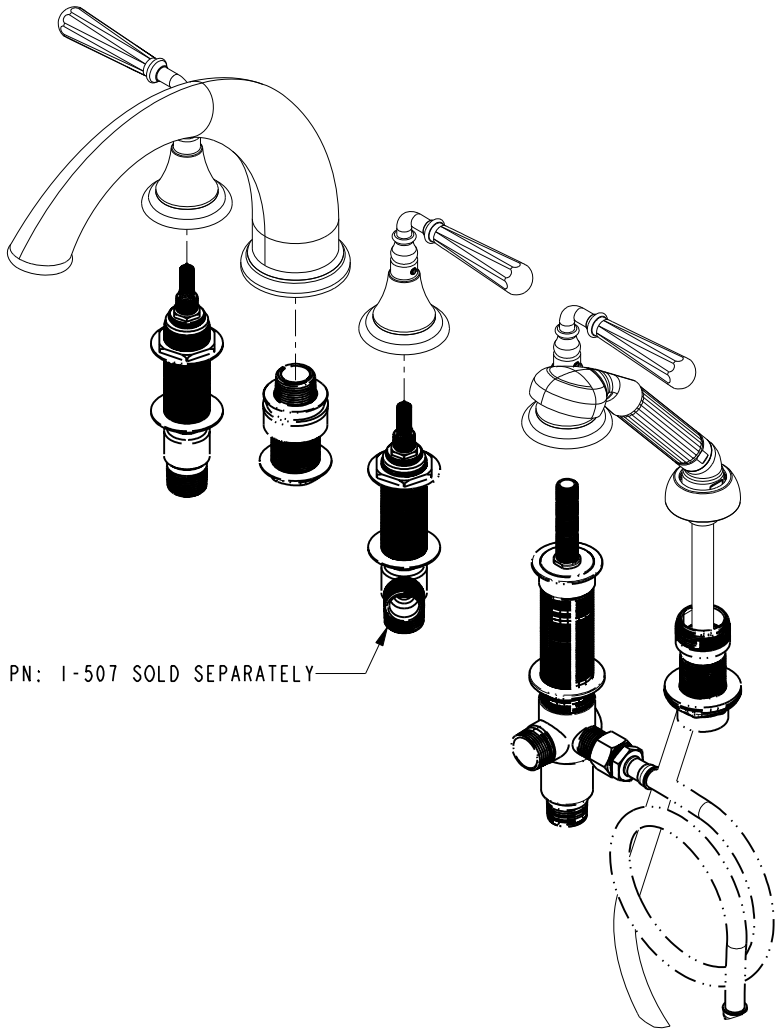
TRIM KIT, 3V ROMAN TUB SET

ASSY. NO.	3-1747	
SCALE	.250	REF. -
SHEET	1	OF 3
REV	REV DESC	DATE
B	EN-2032	01/07/14
A	EN-2519	04/29/13
-	EN-2169	09/12/12

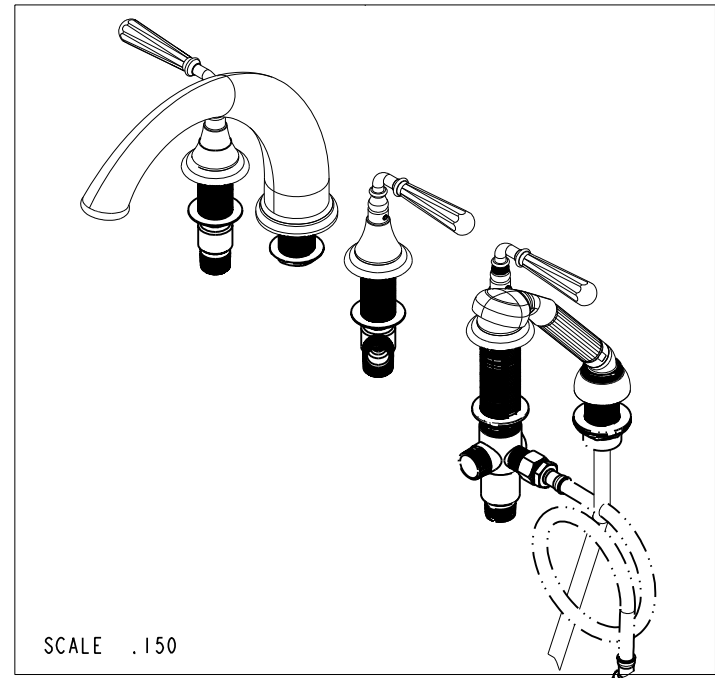
4 3 2 1

↓

SPECIFICATION DWG



PN: 1-507 SOLD SEPARATELY



SCALE .150

A

DIMENSIONS ARE IN INCHES AND AN APPROXIMATION OF A TYPICAL INSTALLATION

COPYRIGHT 2005 BRASSTECH, INC. THESE DRAWINGS AND THE DESIGNS DEPICTED HEREIN ARE THE PROPRIETARY PROPERTY OF BRASSTECH. ANY USE OR REPRODUCTION IS SUBJECT TO THE EXPRESS APPROVAL OF BRASSTECH. UNAUTHORIZED USE IS STRICTLY PROHIBITED. ALL RIGHTS RESERVED.

BRASSTECH		2001 CARNEGIE AVE.
INCORPORATED		SANTA ANA, CA 92705
		(949) 417-5207
DWG NO.	3-1747	REV B
SCALE .200	REF. -	SHEET 2 OF 3

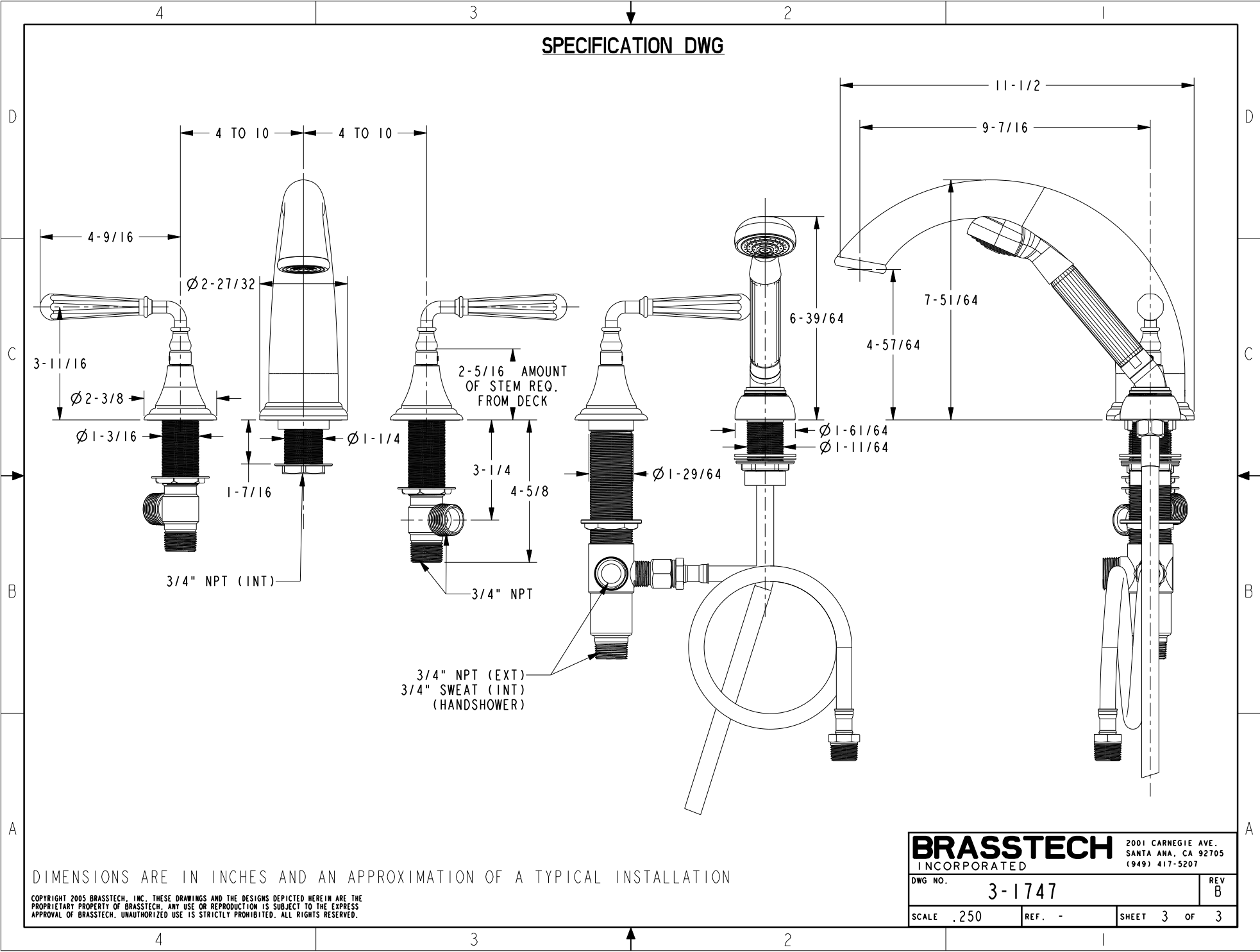
4

3

2

1

SPECIFICATION DWG



DIMENSIONS ARE IN INCHES AND AN APPROXIMATION OF A TYPICAL INSTALLATION

COPYRIGHT 2005 BRASSTECH, INC. THESE DRAWINGS AND THE DESIGNS DEPICTED HEREIN ARE THE PROPRIETARY PROPERTY OF BRASSTECH. ANY USE OR REPRODUCTION IS SUBJECT TO THE EXPRESS APPROVAL OF BRASSTECH. UNAUTHORIZED USE IS STRICTLY PROHIBITED. ALL RIGHTS RESERVED.

BRASSTECH		2001 CARNEGIE AVE. SANTA ANA, CA 92705 (949) 417-5207
DWG NO.	3-1747	REV B
SCALE	.250	REF. -
SHEET 3 OF 3		