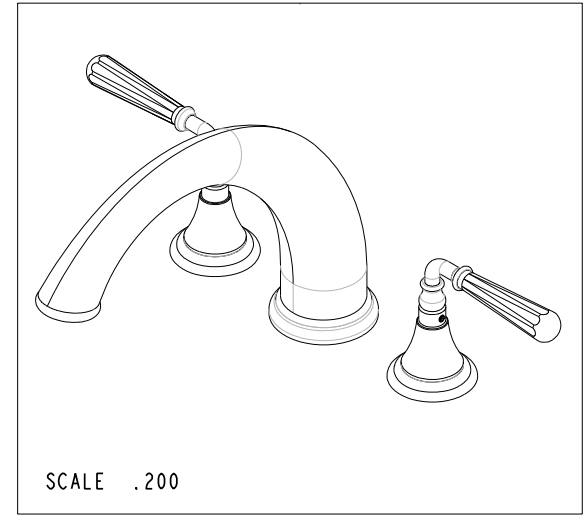
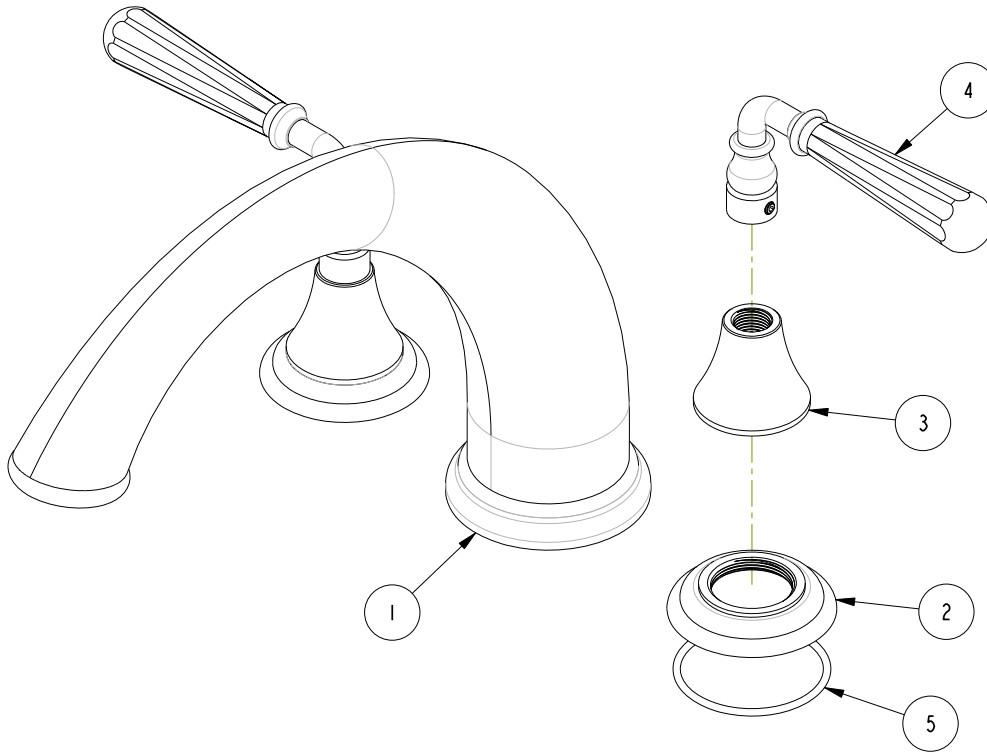


NOTES:

(N1) 1. FIT / FORM / FUNCTION SHALL FOLLOW PS-E.008.

BILL OF MATERIAL (CURRENT LEVEL)

ITEM	PT/ASSY	DESCRIPTION	TYPE	QTY.
1	3-178	ROMAN TUB SPOUT	ASSEMBLY	1
2	12171	ESCUTCHEON, ROMAN TUB	PART	2
3	10095	ESCUTCHEON, 900 SERIES	PART	2
4	2-470	LEVER HANDLE ASM W/8 FLATS	ASSEMBLY	2
5	91231	O-RING, #2-136, EPDM, 65-75 DURO	PART	2



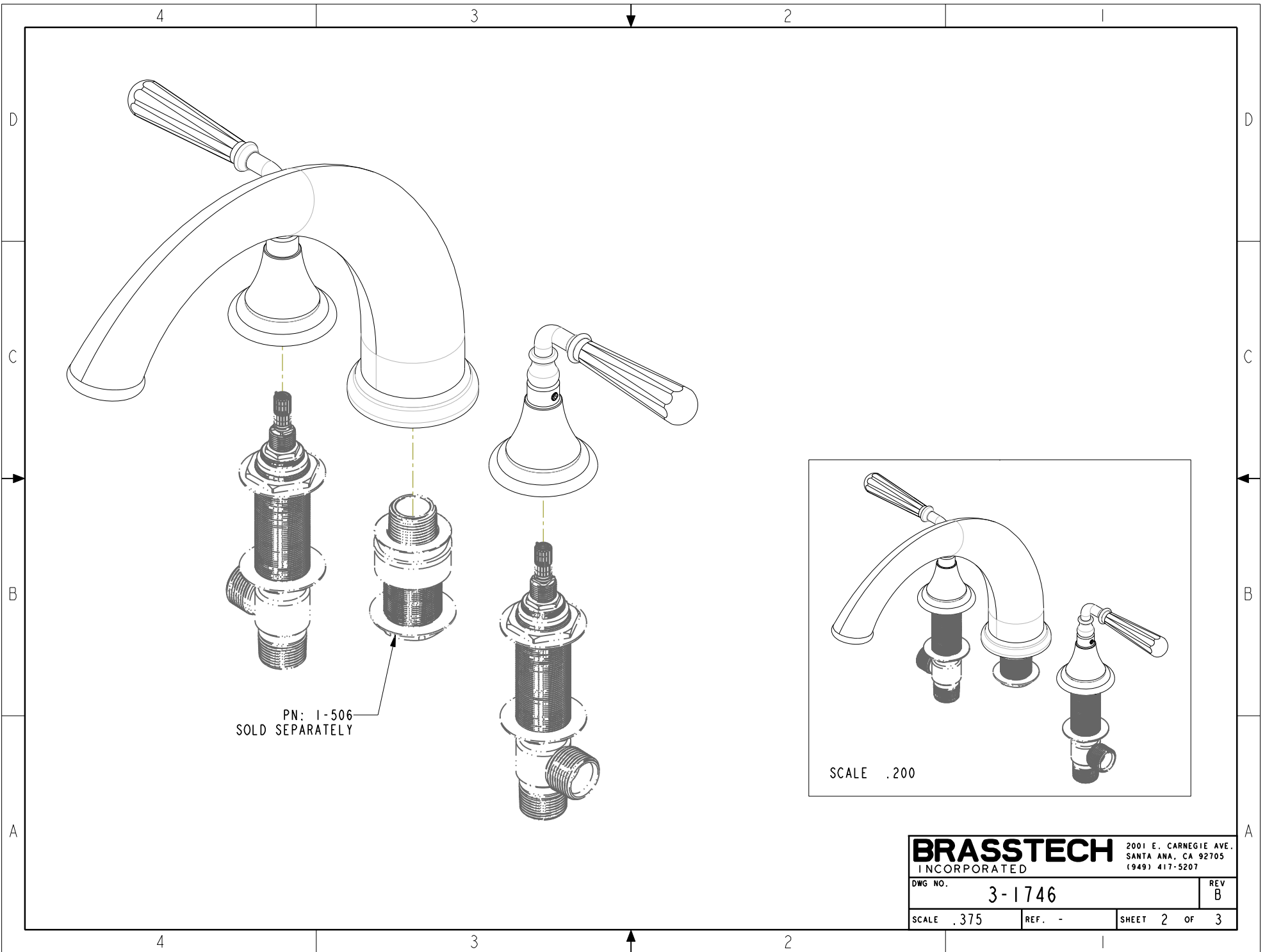
ZONE	REV	DESCRIPTION	DATE	APPROVED
-	B	EN-2519b	12/07/15	AN
-	A	EN-2032	01/17/14	-

COPYRIGHT 2005 BRASSTECH, INC. THESE DRAWINGS AND THE DESIGNS DEPICTED HEREIN ARE THE PROPRIETARY PROPERTY OF BRASSTECH. ANY USE OR REPRODUCTION IS SUBJECT TO THE EXPRESS APPROVAL OF BRASSTECH. UNAUTHORIZED USE IS STRICTLY PROHIBITED. ALL RIGHTS RESERVED.

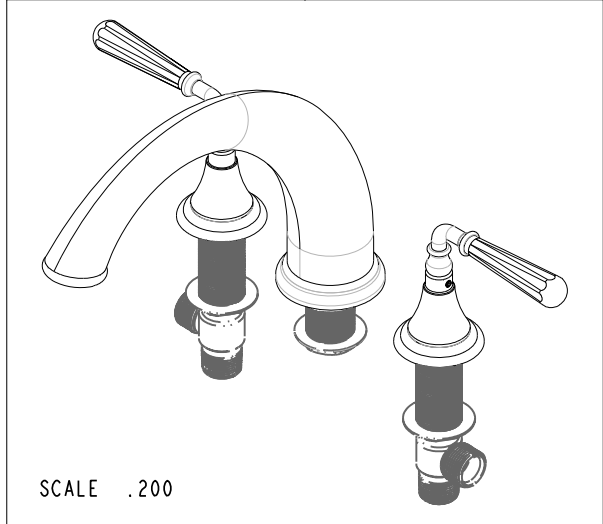
TESTING	-	-	-
ASSEMBLY	-	-	-
PLATING	-	-	-
POLISHING	-	NEXT ASSY	USED ON
MACHINING	-	APPLICATION	
TOOLING FIXTURE #	REMOVE ALL BURRS AND SHARP EDGES		

UNITS ARE: INCHES [MM]		
TOLERANCES ARE:		
FRACTIONS	DECIMALS	ANGLES
$\pm 1/16"$	.X $\pm .1$ (2.5)	$\pm 1^\circ$
	.XX $\pm .06$ (1.5)	
(X.XXX) DENOTES CRITICAL DIMS.		
ALL THREADS ARE CRITICAL		
DRAWN	AN	12/07/15
CHECKED	AN	12/07/15
APPROVED	AN	12/07/15

<b>BRASSTECH</b>		2001 CARNEGIE AVE. SANTA ANA, CA 92705 (949) 417-5207	
INCORPORATED			
ROMAN TUB - TRIM KIT			
DWG. NO.		REV	
3-1746		B	
SCALE	REF.	SHEET	OF
.375	-	1	3

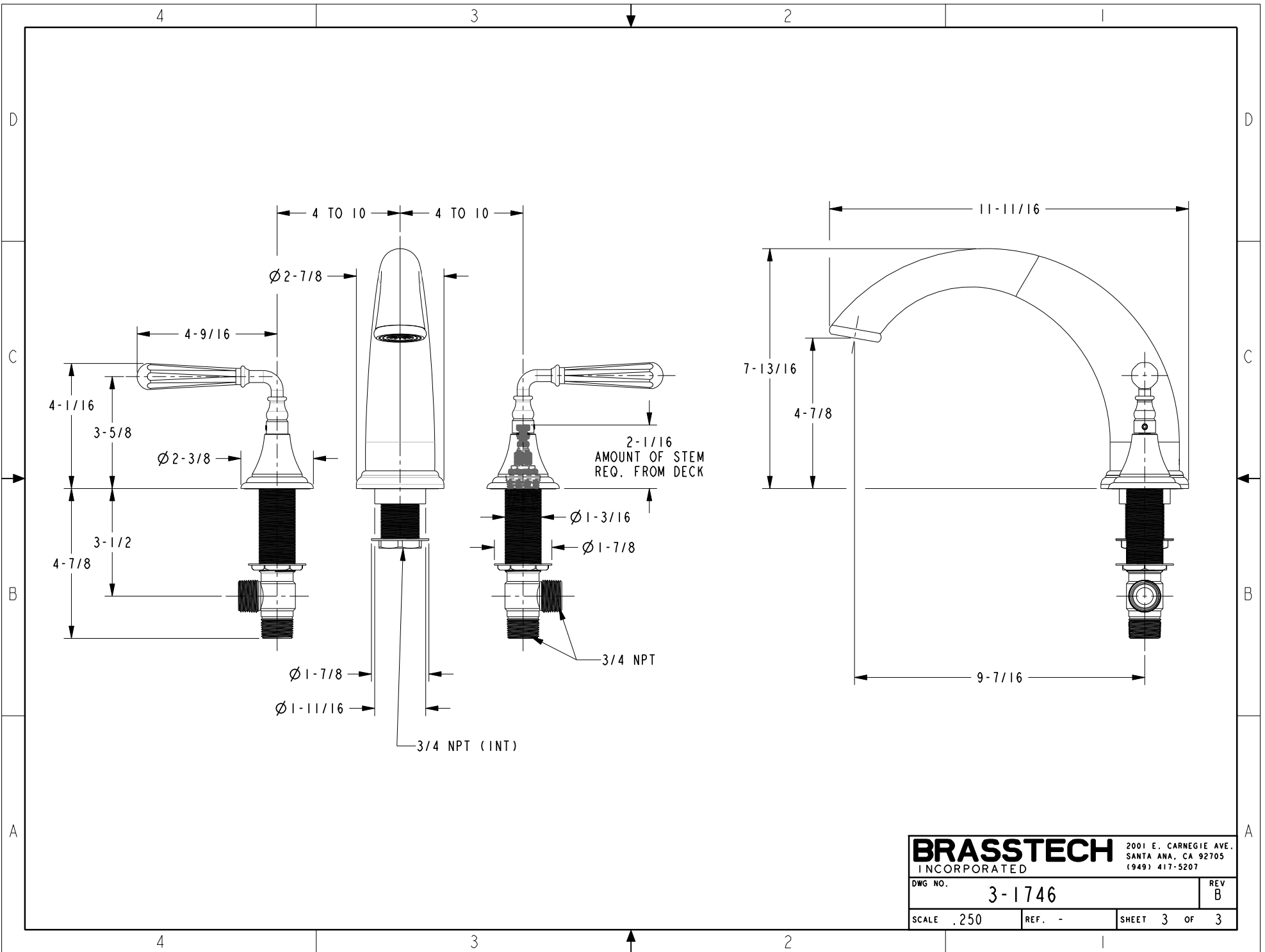


PN: 1-506  
SOLD SEPARATELY



SCALE .200

<b>BRASSTECH</b>		2001 E. CARNEGIE AVE.	
INCORPORATED		SANTA ANA, CA 92705	
DWG NO.		REV	
3-1746		B	
SCALE .375	REF. -	SHEET 2 OF 3	



<b>BRASSTECH</b>		2001 E. CARNEGIE AVE. SANTA ANA, CA 92705 (949) 417-5207	
DWG NO.	3-1746	REV	B
SCALE	.250	REF.	-
SHEET 3		OF 3	