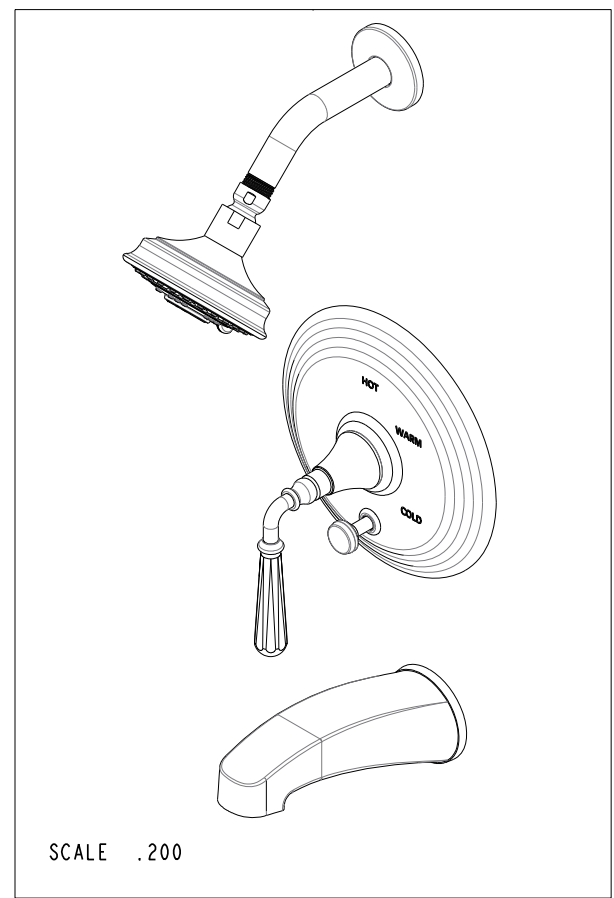
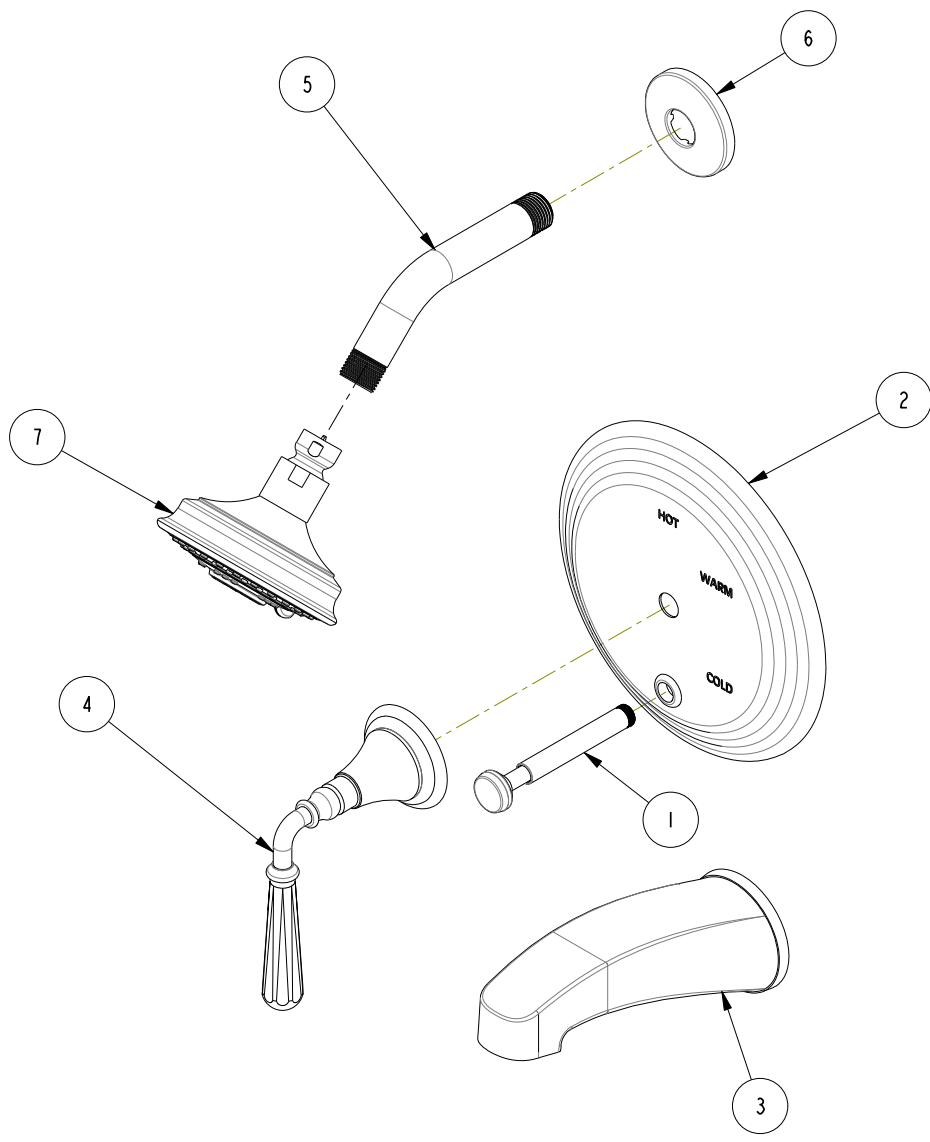


BILL OF MATERIAL (CURRENT LEVEL)				
ITEM	PT/ASSY	DESCRIPTION	TYPE	QTY.
1	2-217	DIVERTER TRIM KIT	ASSEMBLY	1
2	2-224	COVERPLATE BP W/DIVERTER	ASSEMBLY	1
3	2-564	TUB SPOUT	ASSEMBLY	1
4	3-289	TRIM KIT HDL/ESC	ASSEMBLY	1
5	200	SHOWER ARM 6" BRASS	PART	1
6	206	SHOWER ARM FLANGE	PART	1
7	2156	SHOWER HEAD, TRAD	ASSEMBLY	1



COPYRIGHT 2005 BRASSTECH, INC. THESE DRAWINGS AND THE DESIGNS DEPICTED HEREIN ARE THE PROPRIETARY PROPERTY OF BRASSTECH. ANY USE OR REPRODUCTION IS SUBJECT TO THE EXPRESS APPROVAL OF BRASSTECH. UNAUTHORIZED USE IS STRICTLY PROHIBITED. ALL RIGHTS RESERVED.

BRASSTECH 2001 E. CARNEGIE AVE. SANTA ANA, CA 92705 (949) 417-5207

TRIM KIT TUB SHOWER, 3-1742BP

ASSY. NO. 3-1742BP

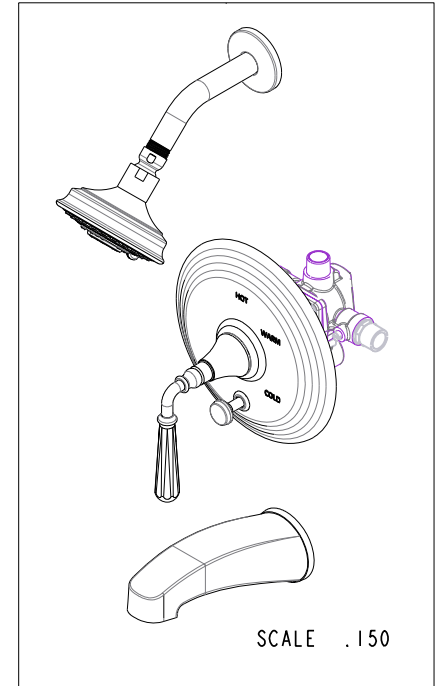
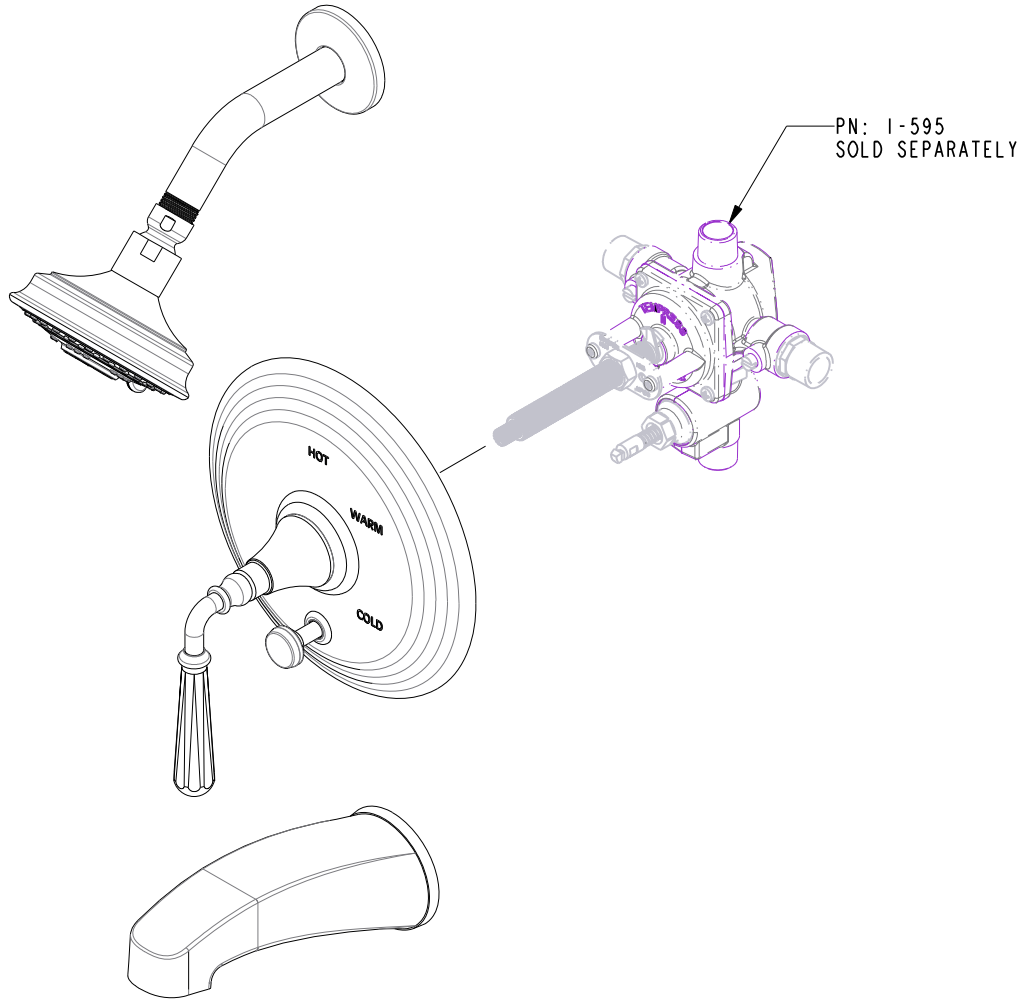
SCALE .250 REF. - SHEET 1 OF 3

B	EN-2802	09/05/14
A	EN-1745	08/22/11
-	EN-1183	03/23/09
REV	REV DESC	DATE

4 3 2 1

↓

SPECIFICATION DWG



DIMENSIONS ARE IN INCHES AND AN APPROXIMATION OF A TYPICAL INSTALLATION

COPYRIGHT 2005 BRASSTECH, INC. THESE DRAWINGS AND THE DESIGNS DEPICTED HEREIN ARE THE PROPRIETARY PROPERTY OF BRASSTECH. ANY USE OR REPRODUCTION IS SUBJECT TO THE EXPRESS APPROVAL OF BRASSTECH. UNAUTHORIZED USE IS STRICTLY PROHIBITED. ALL RIGHTS RESERVED.

BRASSTECH INCORPORATED		2001 CARNEGIE AVE. SANTA ANA, CA 92705 (949) 417-5207	
		DWG NO.	REV
3-1742BP		B	
SCALE .250	REF. -	SHEET 2	OF 3

4

3

2

1

D

C

B

A

D

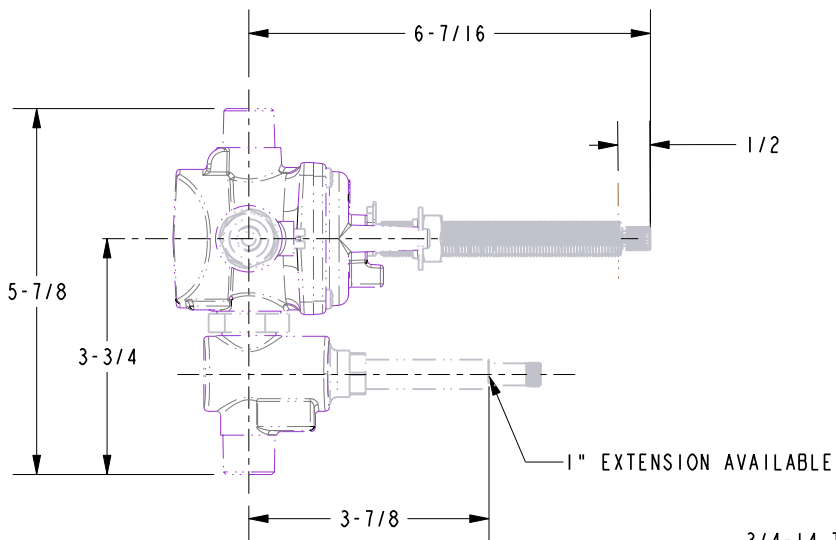
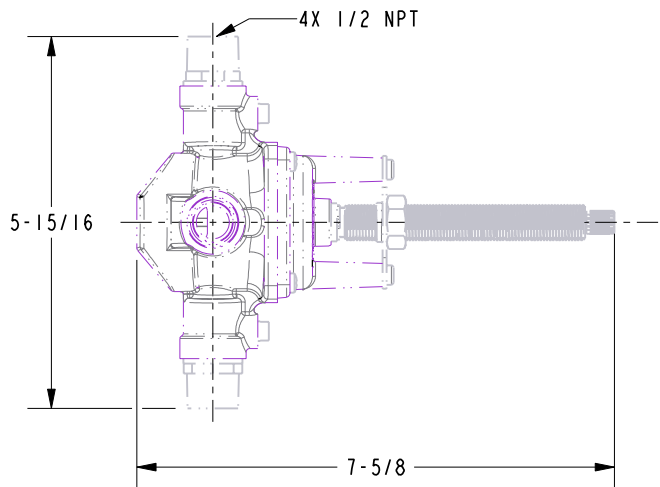
C

B

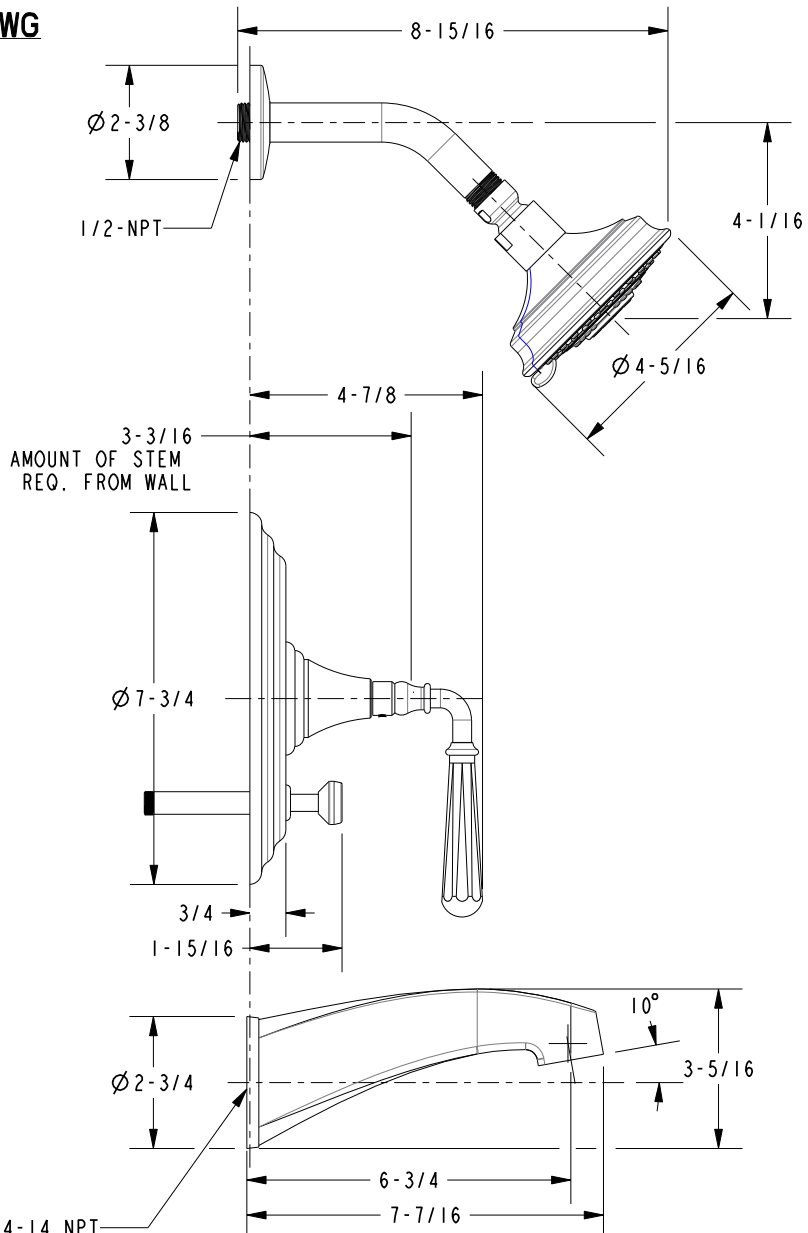
A

SPECIFICATION DWG

NOTES:
 1. CUT STEM TO DIMENSION "A".
 CUT ALL-THREAD 1/2"
 SHORTER THAN STEM.



3/4-14 NPT
 3/4-14 TO 1/2-14 ADAPTER INCLUDED



DIMENSIONS ARE IN INCHES AND AN APPROXIMATION OF A TYPICAL INSTALLATION

COPYRIGHT 2005 BRASSTECH, INC. THESE DRAWINGS AND THE DESIGNS DEPICTED HEREIN ARE THE PROPRIETARY PROPERTY OF BRASSTECH. ANY USE OR REPRODUCTION IS SUBJECT TO THE EXPRESS APPROVAL OF BRASSTECH. UNAUTHORIZED USE IS STRICTLY PROHIBITED. ALL RIGHTS RESERVED.

BRASSTECH		2001 CARNEGIE AVE. SANTA ANA, CA 92705 (949) 417-5207
DWG NO.	3-1742BP	REV B
SCALE .325	REF. -	SHEET 3 OF 3