

4

3

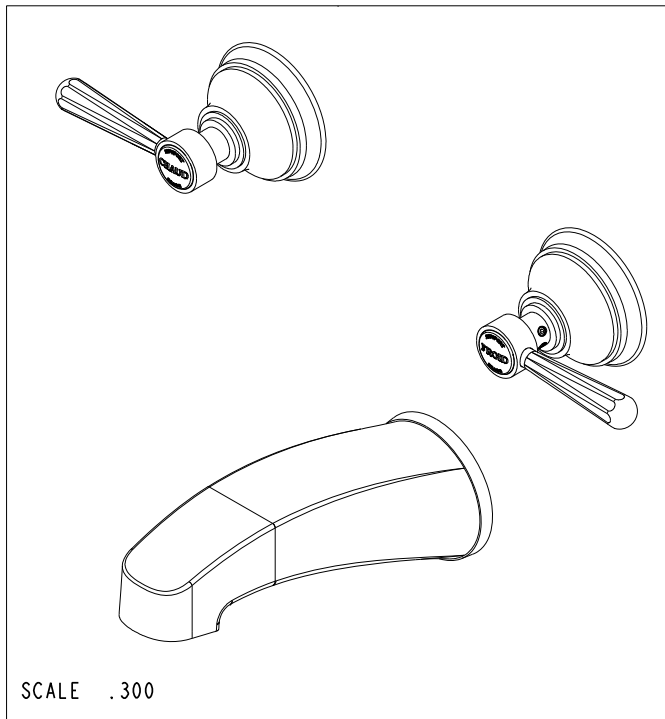
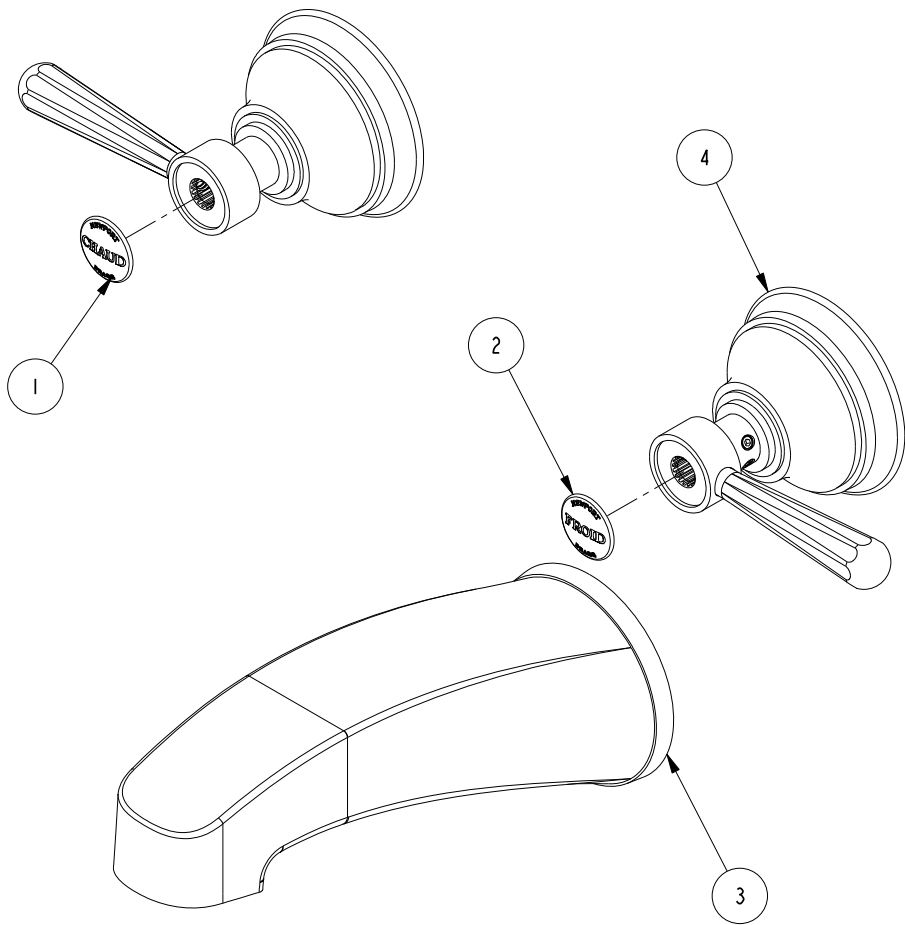
2

NOTES:

(N1) 1. FIT / FORM / FUNCTION SHALL FOLLOW PS-E.008.

BILL OF MATERIAL (CURRENT LEVEL)

ITEM	PT/ASSY	DESCRIPTION	TYPE	QTY.
1	1-130	CHAUD BUTTON W/ADH. TAB	ASSEMBLY	1
2	1-131	FROID BUTTON W/ADH. TAB	ASSEMBLY	1
3	2-564	TUB SPOUT	ASSEMBLY	1
4	3-280L	HANDLE/ESCUTCHEON ASM	ASSEMBLY	2



-	A	EN-3072	06/07/16	J.M.
-	-	EO-0299	03/04/04	-
ZONE	REV	DESCRIPTION	DATE	APPROVED

COPYRIGHT 2005 BRASSTECH, INC.  
 THESE DRAWINGS AND THE DESIGNS  
 DEPICTED HEREIN ARE THE PROPRIETARY  
 PROPERTY OF BRASSTECH. ANY USE  
 OR REPRODUCTION IS SUBJECT TO  
 THE EXPRESS APPROVAL OF BRASSTECH.  
 UNAUTHORIZED USE IS STRICTLY  
 PROHIBITED. ALL RIGHTS RESERVED.

TESTING	-	-	-
ASSEMBLY	-	-	-
PLATING	-	-	-
POLISHING	-	NEXT ASSY	USED ON
MACHINING	-	APPLICATION	
TOOLING FIXTURE #	REMOVE ALL BURRS AND SHARP EDGES		

UNITS ARE: INCHES [MM]	
TOLERANCES ARE:	
FRACTIONS DECIMALS	ANGLES
±1/16"	±1°
.X ±.1 [2.5]	
.XX ±.06 [1.5]	
(X.XXX) DENOTES CRITICAL DIMS.	
ALL THREADS ARE CRITICAL	
DRAWN	-
CHECKED	-
APPROVED	-

**BRASSTECH** 2001 CARNEGIE AVE.  
 INCORPORATED SANTA ANA, CA 92705  
 (949) 417-5207

TRIM KIT (3-1665)

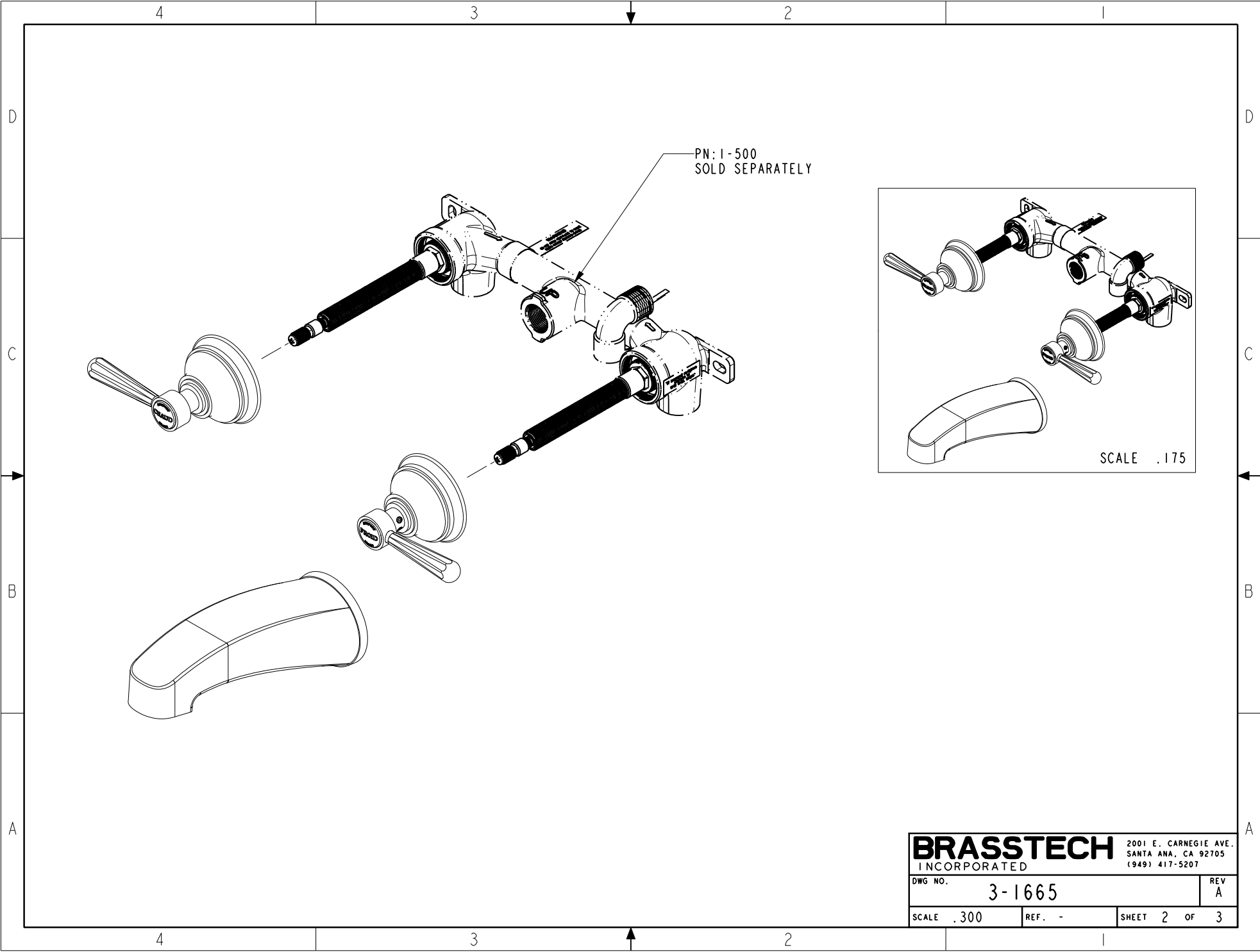
DWG NO. **3-1665** REV A

SCALE .450 REF. - SHEET 1 OF 3

4

3

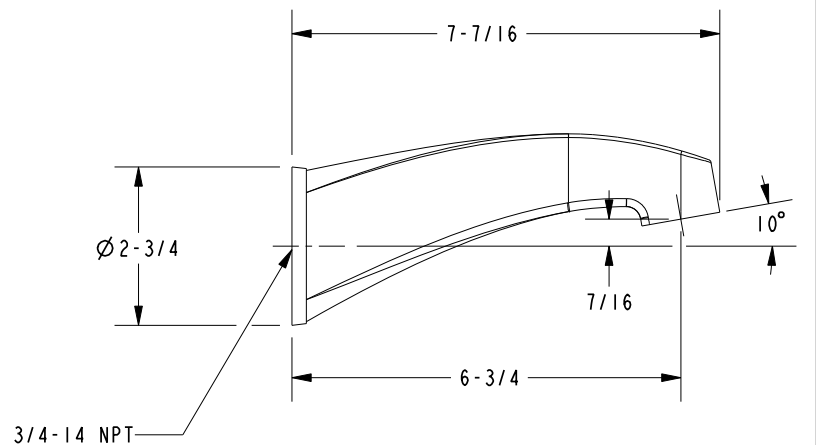
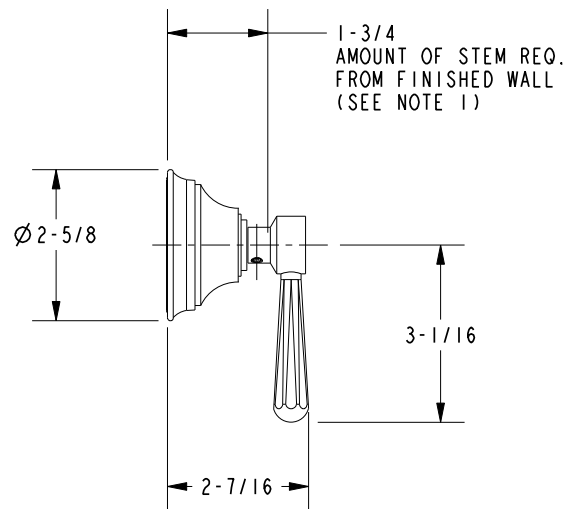
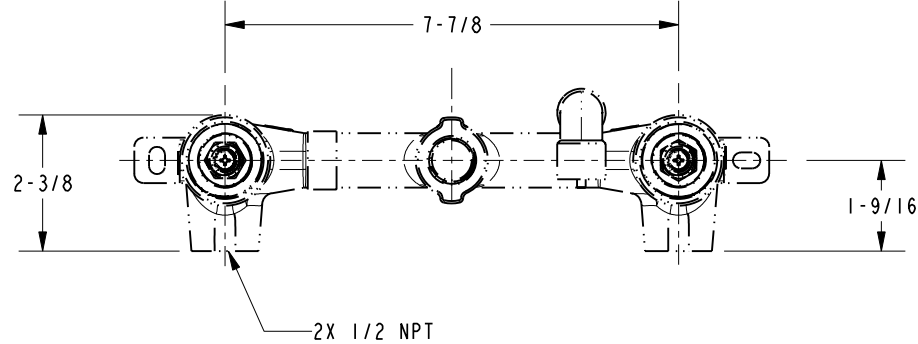
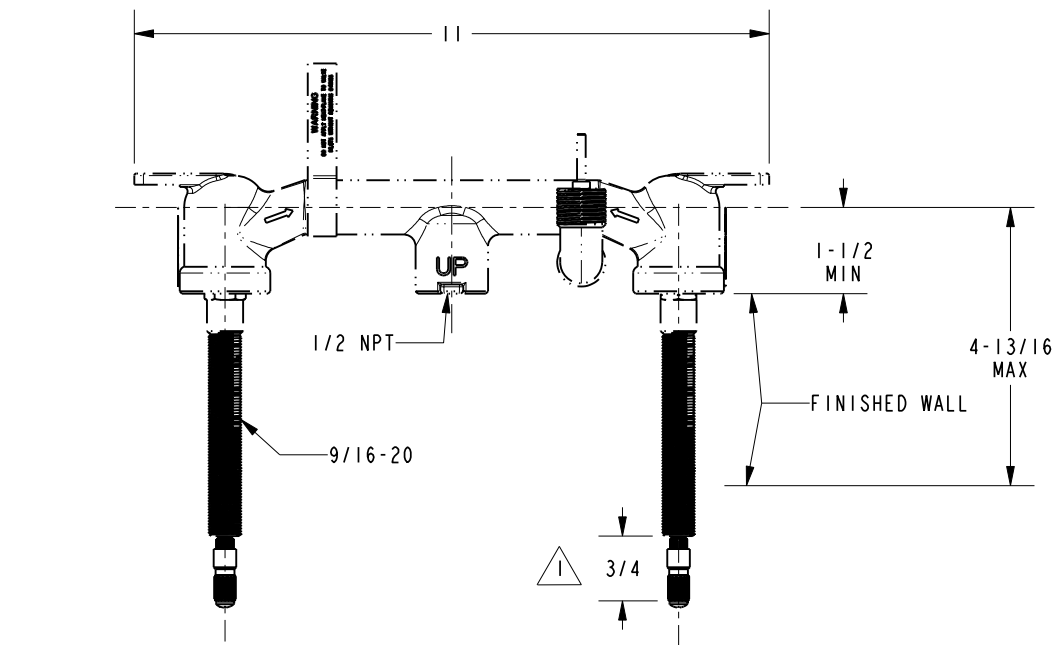
2



<b>BRASSTECH</b>		2001 E. CARNEGIE AVE.	
INCORPORATED		SANTA ANA, CA 92705	
		(949) 417-5207	
DWG NO.	3-1665	REV	A
SCALE .300	REF. -	SHEET 2	OF 3

NOTES:

1 CUT ALL THREADS 3/4" SHORTER THAN STEM



<b>BRASSTECH</b>		2001 E. CARNEGIE AVE. SANTA ANA, CA 92705 (949) 417-5207	
INCORPORATED			
DWG NO.	3-1665	REV	A
SCALE	.300	REF.	-
		SHEET	3 OF 3