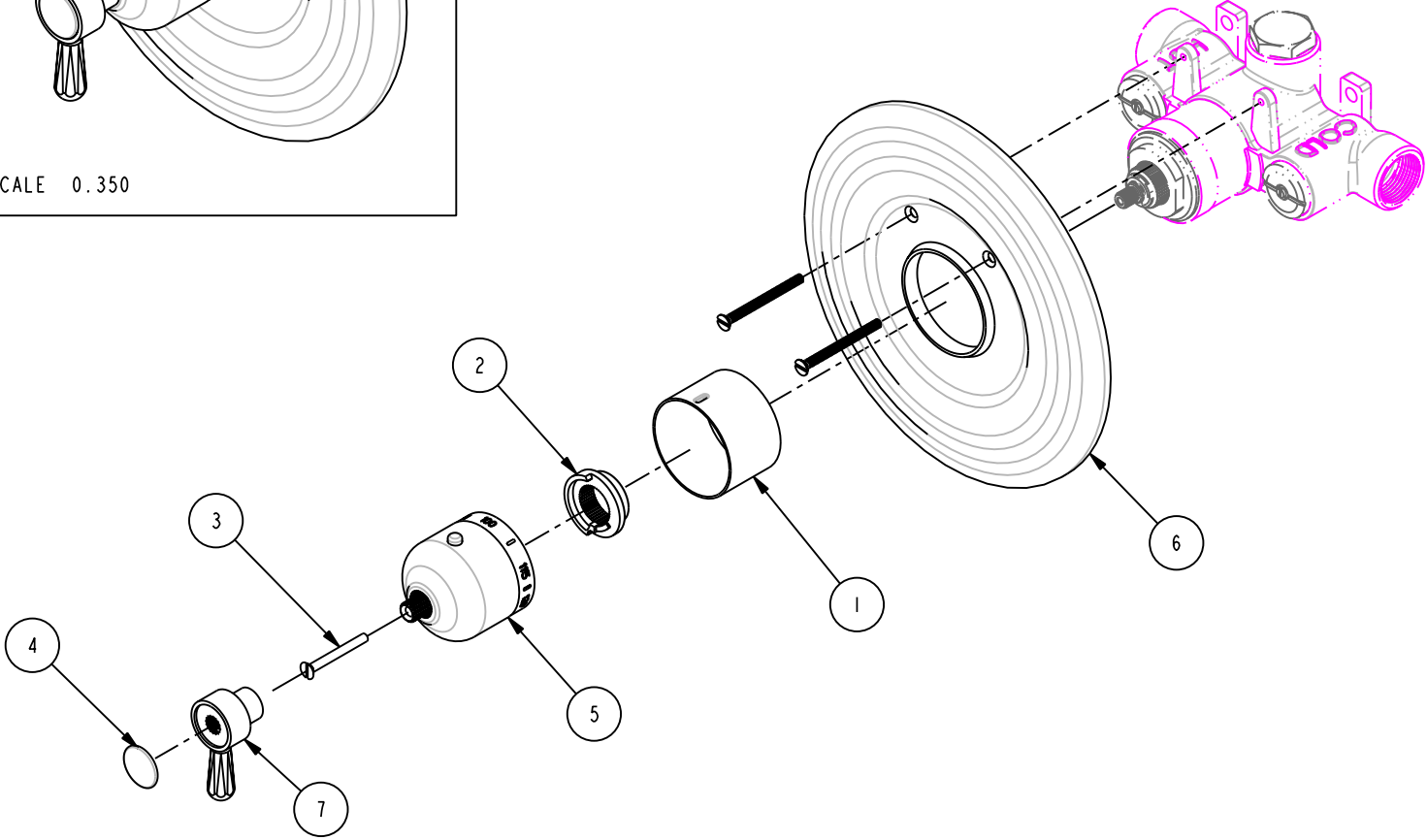


BILL OF MATERIAL (CURRENT LEVEL)				
ITEM	PT/ASSY	DESCRIPTION	TYPE	QTY.
1	11029	SLEEVE - THERMO	PART	1
2	91308	TEMP LIMIT STOP - THERMO	PART	1
3	92113	SCRW M4 X .7 X 35	PART	1
4	1-110	BLANK BUTTON W/ADHESIVE	ASSEMBLY	1
5	2-336	THERMO BONNET ASM-TRAD.	ASSEMBLY	1
6	2-337	THERMO ROUND PLATE ASSEMBLY	ASSEMBLY	1
7	2-465	THERMO LEVER HANDLE ASM	ASSEMBLY	1



COPYRIGHT 2003 BRASSTECH, INC. THESE DRAWINGS AND THE DESIGNS DEPICTED HEREIN ARE THE PROPRIETARY PROPERTY OF BRASSTECH. ANY USE OR REPRODUCTION IS SUBJECT TO THE EXPRESS APPROVAL OF BRASSTECH. UNAUTHORIZED USE IS STRICTLY PROHIBITED. ALL RIGHTS RESERVED.

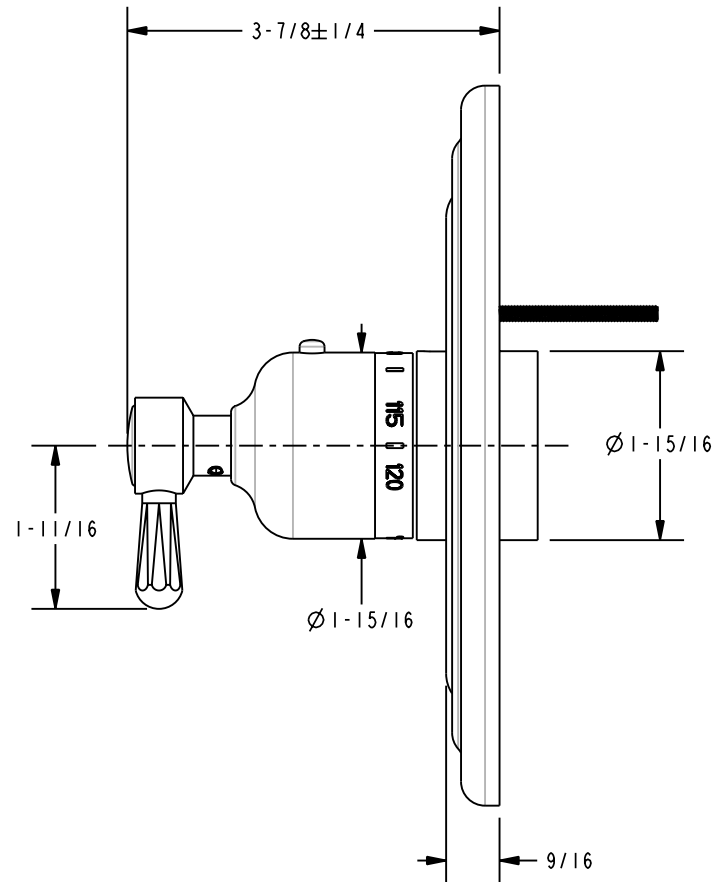
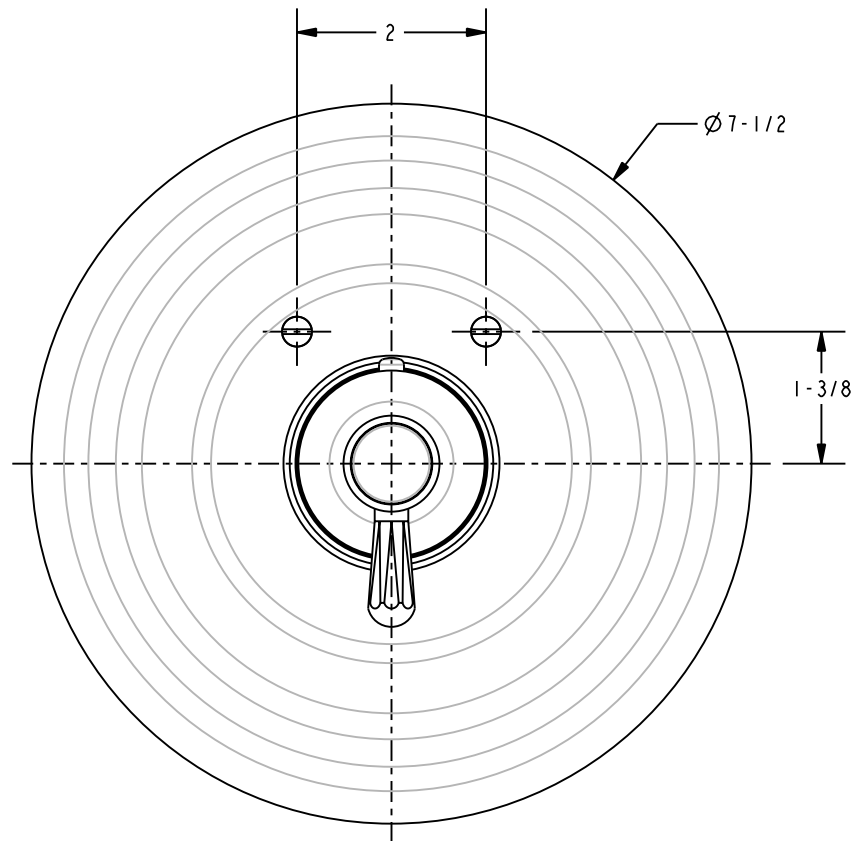
**BRASSTECH**  
INCORPORATED

2001 E. CARNEGIE AVE.  
SANTA ANA, CA 92705  
(949) 417-5207

ROUND TRIM THERMO

ASSY. NO.		3-1664TR				EO-0299		03/04/04	
SCALE 0.300	REF. -	SHEET 1	OF 1	REV	REV DESC	DATE			

**SPECIFICATION DWG**



DIMENSIONS ARE IN INCHES AND AN APPROXIMATION OF A TYPICAL INSTALLATION

COPYRIGHT 2003 BRASSTECH, INC. THESE DRAWINGS AND THE DESIGNS DEPICTED HEREIN ARE THE PROPRIETARY PROPERTY OF BRASSTECH. ANY USE OR REPRODUCTION IS SUBJECT TO THE EXPRESS APPROVAL OF BRASSTECH. UNAUTHORIZED USE IS STRICTLY PROHIBITED. ALL RIGHTS RESERVED.

**BRASSTECH**  
INCORPORATED

2001 E. CARNEGIE AVE.  
SANTA ANA, CA 92705  
(949) 417-5207

ROUND TRIM THERMO

ASSY. NO.		3-1664TR_SPEC					
SCALE .500	REF. -	SHEET	OF	REV	REV DESC	EO-0299	03/04/04
				DATE			