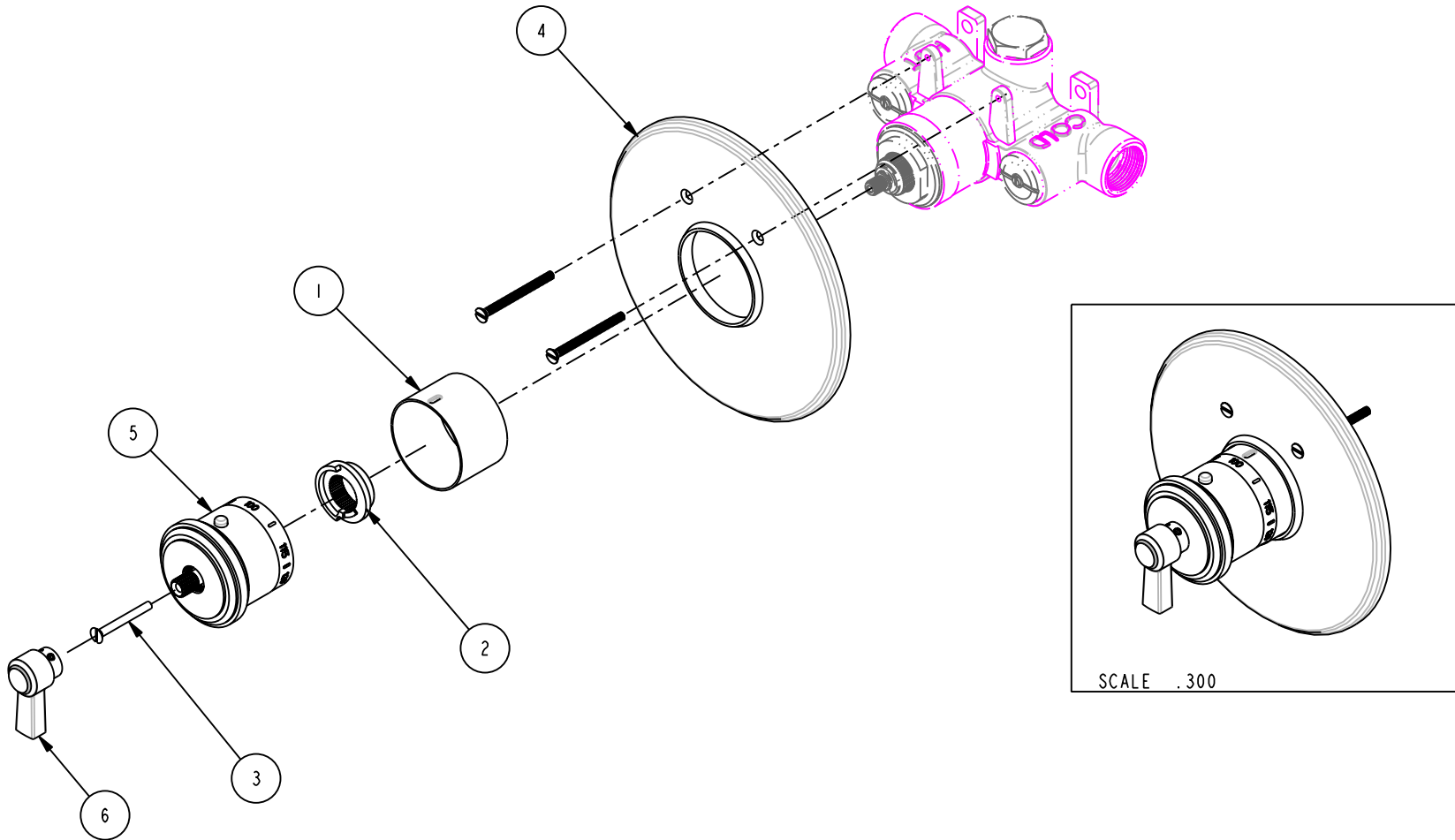


| BILL OF MATERIAL (CURRENT LEVEL) | | | | |
|----------------------------------|---------|--------------------------|----------|------|
| ITEM | PT/ASSY | DESCRIPTION | TYPE | QTY. |
| 1 | 11029 | SLEEVE - THERMO | PART | 1 |
| 2 | 91308 | TEMP LIMIT STOP - THERMO | PART | 1 |
| 3 | 92113 | SCRW M4 X .7 X 35 | PART | 1 |
| 4 | 2-440 | THERMO SHOWERPLATE ROUND | ASSEMBLY | 1 |
| 5 | 2-441 | THERMO BONNET ASM | ASSEMBLY | 1 |
| 6 | 2-442 | LEVER HANDLE ASM | ASSEMBLY | 1 |



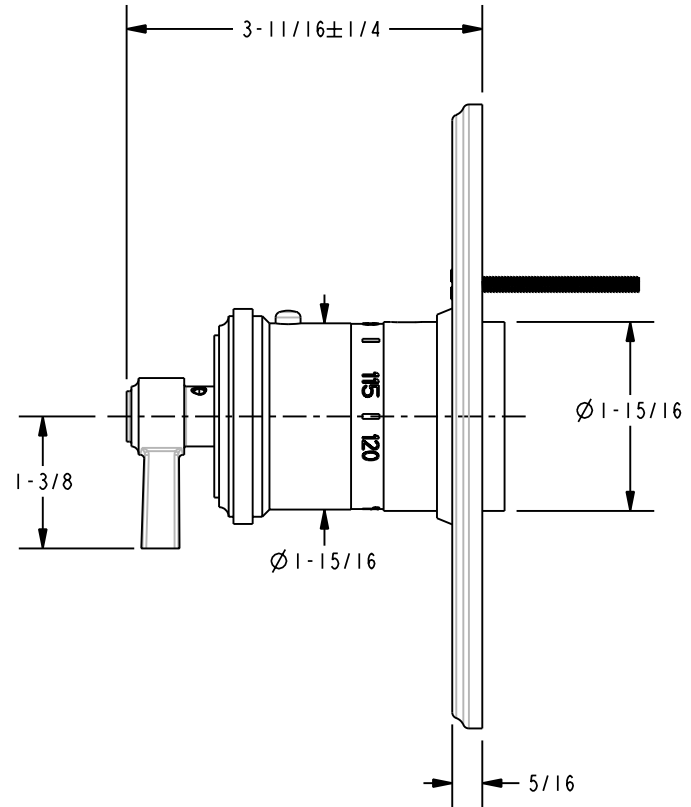
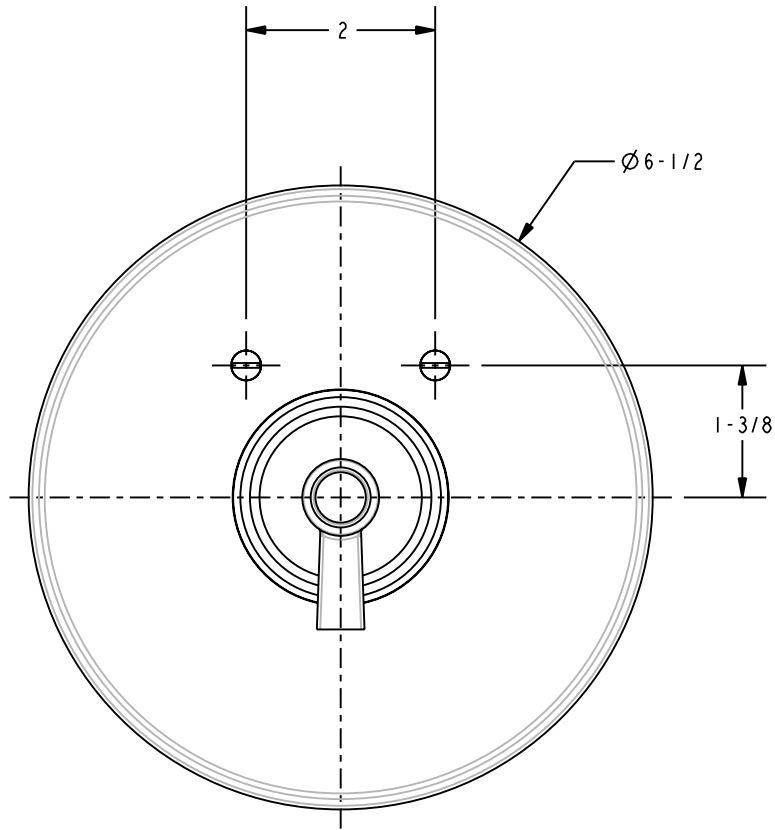
COPYRIGHT 2003 BRASSTECH, INC. THESE DRAWINGS AND THE DESIGNS DEPICTED HEREIN ARE THE PROPRIETARY PROPERTY OF BRASSTECH. ANY USE OR REPRODUCTION IS SUBJECT TO THE EXPRESS APPROVAL OF BRASSTECH. UNAUTHORIZED USE IS STRICTLY PROHIBITED. ALL RIGHTS RESERVED.

BRASSTECH
INCORPORATED
2001 E. CARNEGIE AVE.
SANTA ANA, CA 92705
(949) 417-5207

THERMO TRIM KIT - SHWR SET

| | | | | | | | | | |
|------------|--------|----------|------|-----|----------|---------|--|----------|--|
| ASSY. NO. | | 3-1624TR | | | | EO-0255 | | 01/27/04 | |
| SCALE .300 | REF. - | SHEET 1 | OF 1 | REV | REV DESC | DATE | | | |

SPECIFICATION DWG



DIMENSIONS ARE IN INCHES AND AN APPROXIMATION OF A TYPICAL INSTALLATION

COPYRIGHT 2003 BRASSTECH, INC. THESE DRAWINGS AND THE DESIGNS DEPICTED HEREIN ARE THE PROPRIETARY PROPERTY OF BRASSTECH. ANY USE OR REPRODUCTION IS SUBJECT TO THE EXPRESS APPROVAL OF BRASSTECH. UNAUTHORIZED USE IS STRICTLY PROHIBITED. ALL RIGHTS RESERVED.

BRASSTECH
INCORPORATED

2001 E. CARNEGIE AVE.
SANTA ANA, CA 92705
(949) 417-5207

THERMO TRIM KIT - SHWR SET

| | | | | | |
|------------|--------|---------------|-----|----------|----------|
| ASSY. NO. | | 3-1624TR_SPEC | | | |
| SCALE .500 | REF. - | SHEET OF | REV | REV DESC | DATE |
| | | | | EO-0255 | 01/27/04 |