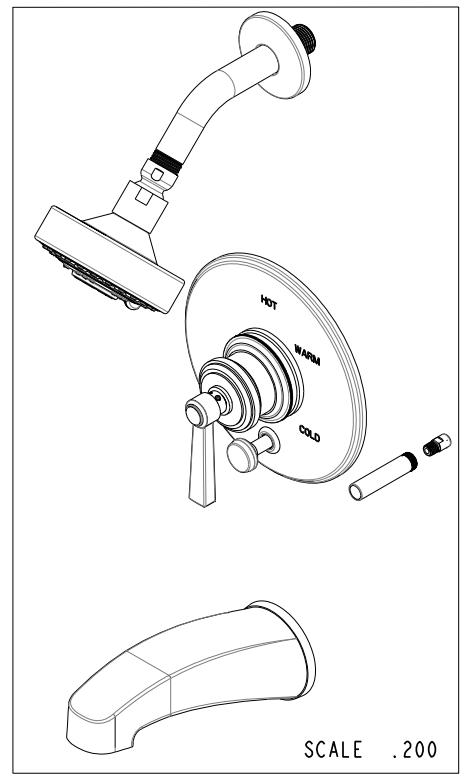
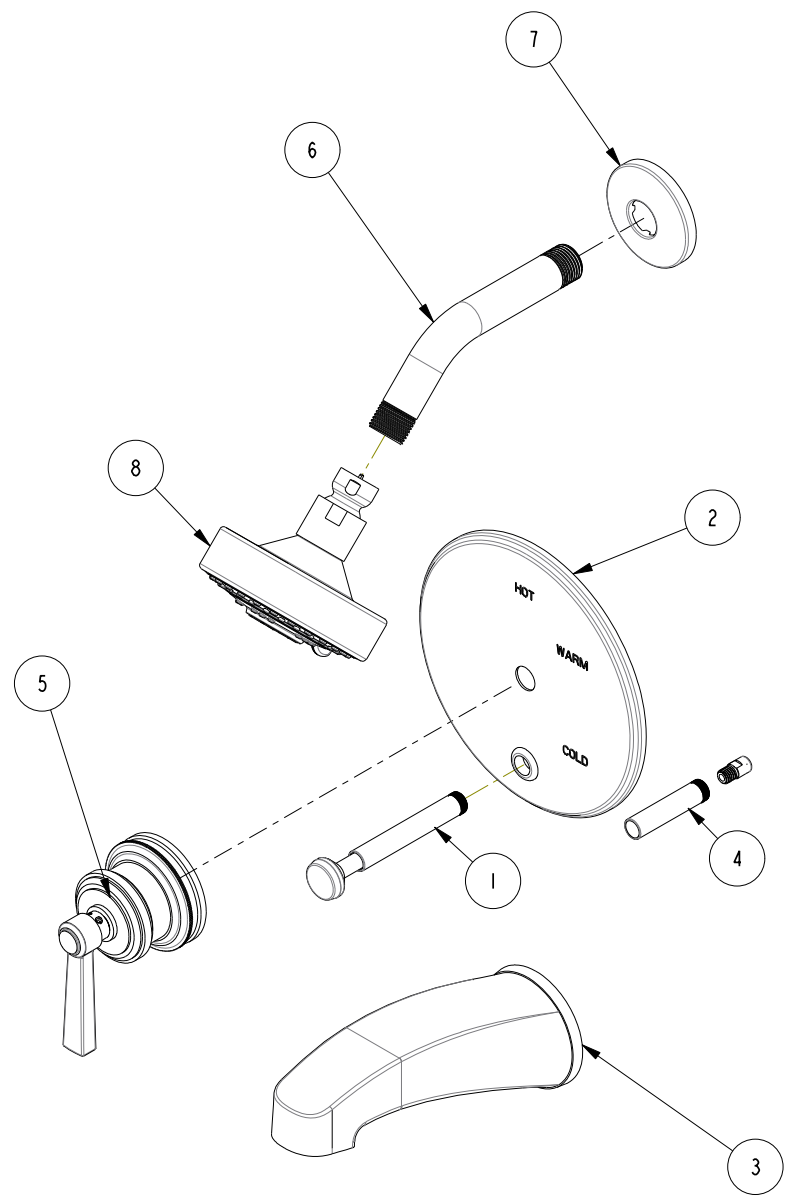


BILL OF MATERIAL (CURRENT LEVEL)				
ITEM	PT/ASSY	DESCRIPTION	TYPE	QTY.
1	2-217	DIVERTER TRIM KIT	ASSEMBLY	1
2	2-438	COVERPLATE BP W/DIV ASM	ASSEMBLY	1
3	2-564	TUB SPOUT	ASSEMBLY	1
4	2-894	DIVERTER TRIM KIT (SHORT)	ASSEMBLY	1
5	3-279L	LEVER HANDLE/ESCUTCHEON ASM	ASSEMBLY	1
6	200	SHOWER ARM 6" BRASS	PART	1
7	206	SHOWER ARM FLANGE	PART	1
8	2155	SHOWER HEAD, CONTEMP	ASSEMBLY	1



COPYRIGHT 2005 BRASSTECH, INC. THESE DRAWINGS AND THE DESIGNS DEPICTED HEREIN ARE THE PROPRIETARY PROPERTY OF BRASSTECH. ANY USE OR REPRODUCTION IS SUBJECT TO THE EXPRESS APPROVAL OF BRASSTECH. UNAUTHORIZED USE IS STRICTLY PROHIBITED. ALL RIGHTS RESERVED.

**BRASSTECH**  
INCORPORATED  
2001 E. CARNEGIE AVE.  
SANTA ANA, CA 92705  
(949) 417-5207

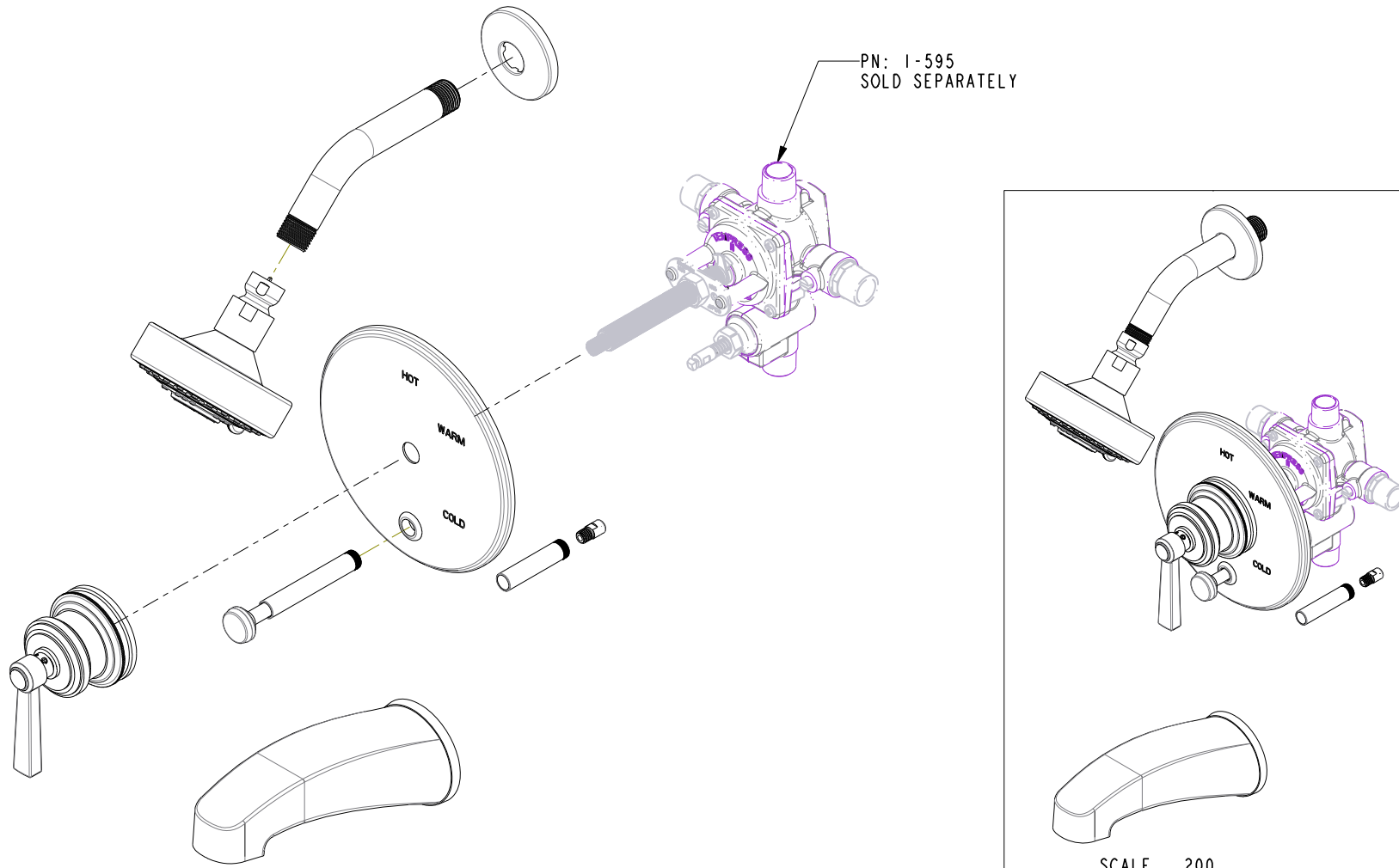
TRIM KIT (3-1622BP)

ASSY. NO. 3-1622BP

SCALE .250 REF. \*\*\* SHEET 1 OF 3

D	EN-2802	09/11/14
C	EN-2452	02/07/13
B	EN-1745	08/22/11
A	EN-1183	03/23/09
-	EO-0255	01/27/04
REV	REV DESC	DATE

**SPECIFICATION DWG**



DIMENSIONS ARE IN INCHES AND AN APPROXIMATION OF A TYPICAL INSTALLATION

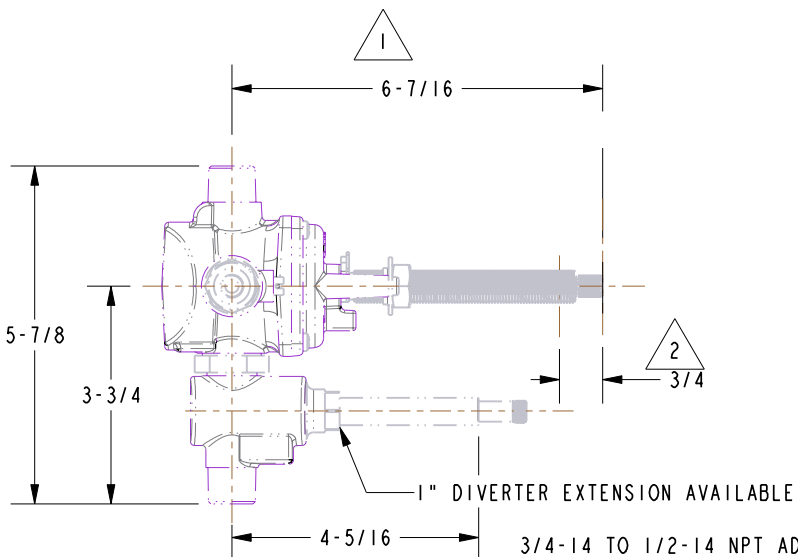
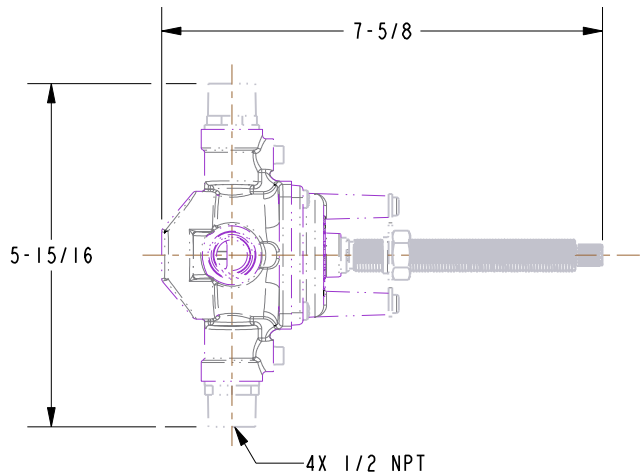
COPYRIGHT 2005 BRASSTECH, INC. THESE DRAWINGS AND THE DESIGNS DEPICTED HEREIN ARE THE PROPRIETARY PROPERTY OF BRASSTECH. ANY USE OR REPRODUCTION IS SUBJECT TO THE EXPRESS APPROVAL OF BRASSTECH. UNAUTHORIZED USE IS STRICTLY PROHIBITED. ALL RIGHTS RESERVED.

<b>BRASSTECH</b>		2001 CARNEGIE AVE. SANTA ANA, CA 92705 (949) 417-5207	
DWG NO.	3-1622BP	REV	D
SCALE .250	REF. ***	SHEET 2	OF 3

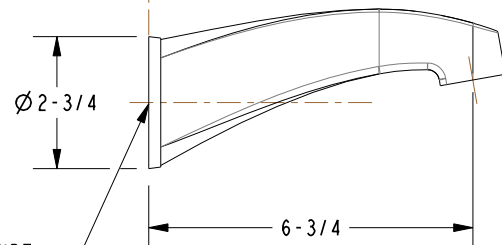
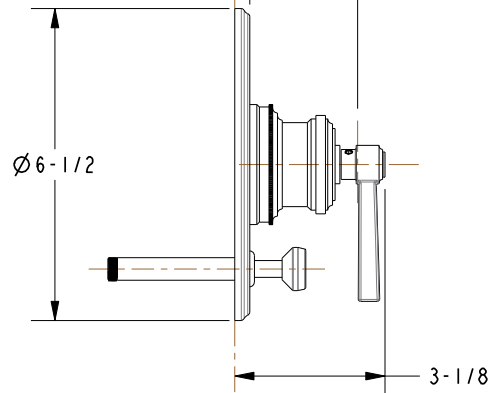
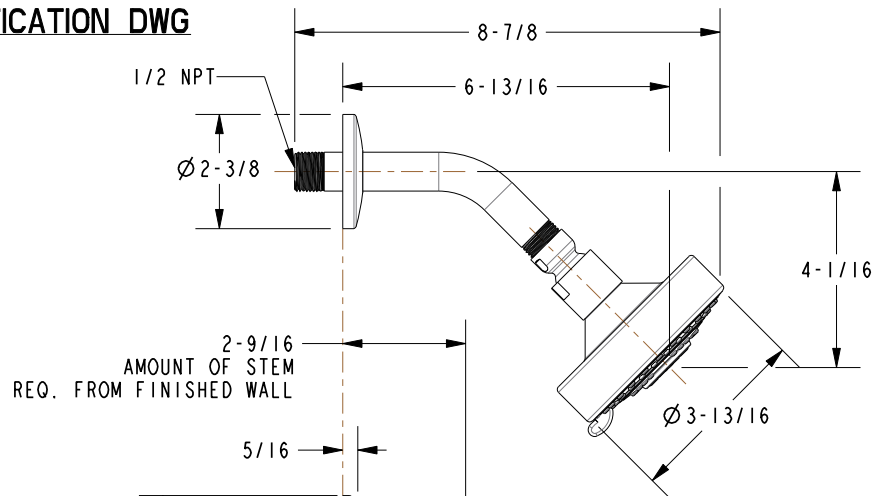
**SPECIFICATION DWG**

**NOTES:**

- 1. CUT STEM TO DIMENSION SHOWN.
- 2. CUT ALL-THREAD 3/4" SHORTER THAN STEM.



3/4-14 TO 1/2-14 NPT ADAPTER INCLUDED



3/4-14 NPT

DIMENSIONS ARE IN INCHES AND AN APPROXIMATION OF A TYPICAL INSTALLATION

COPYRIGHT 2005 BRASSTECH, INC. THESE DRAWINGS AND THE DESIGNS DEPICTED HEREIN ARE THE PROPRIETARY PROPERTY OF BRASSTECH. ANY USE OR REPRODUCTION IS SUBJECT TO THE EXPRESS APPROVAL OF BRASSTECH. UNAUTHORIZED USE IS STRICTLY PROHIBITED. ALL RIGHTS RESERVED.

<b>BRASSTECH</b>		2001 CARNEGIE AVE. SANTA ANA, CA 92705 (949) 417-5207	
DWG NO.	3-1622BP	REV	D
SCALE	.250	REF.	***
SHEET 3		OF 3	