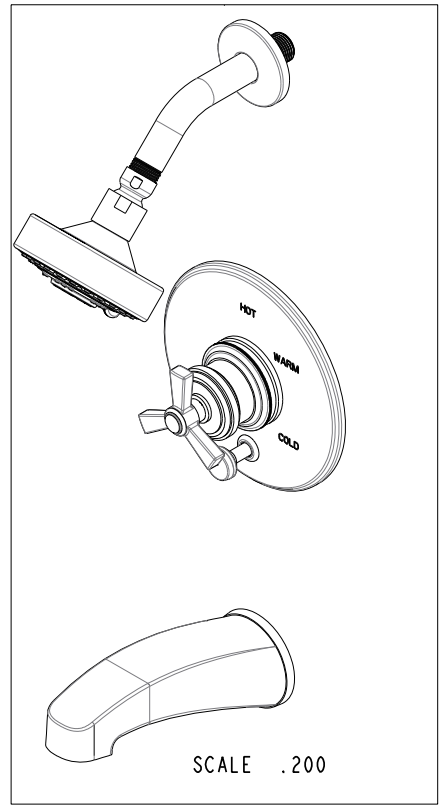
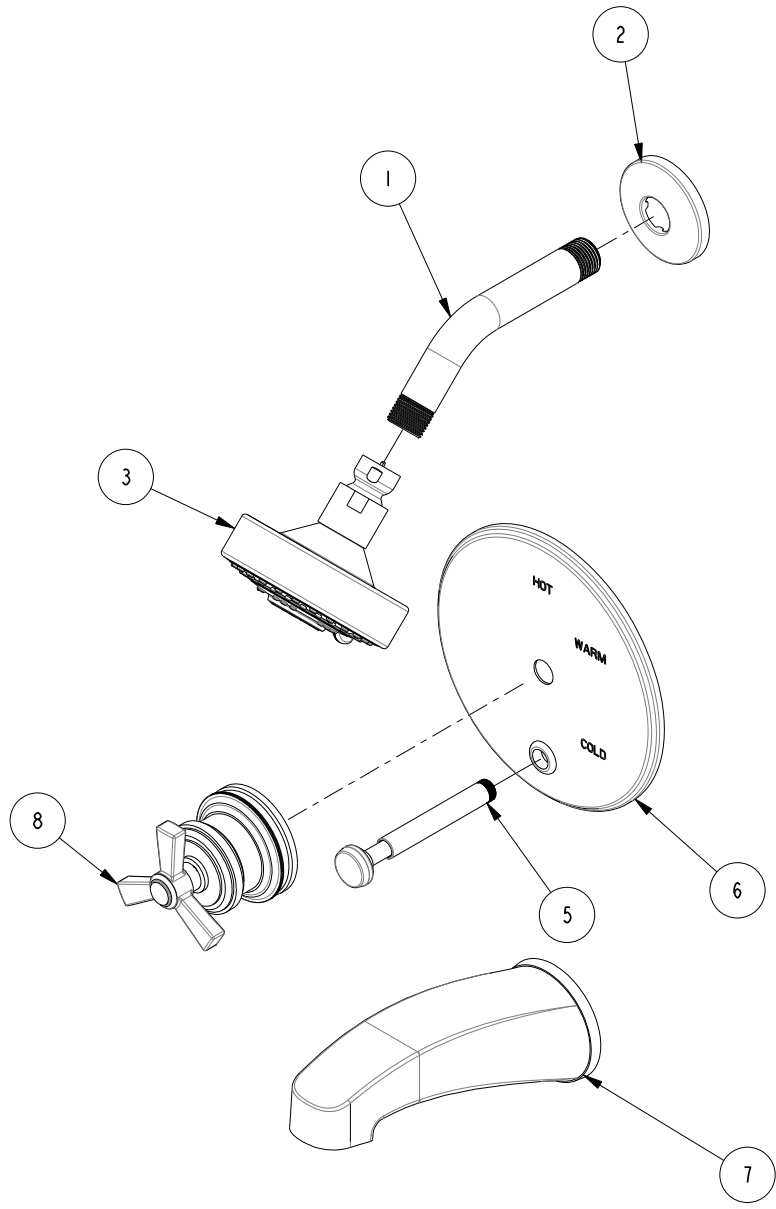


BILL OF MATERIAL (CURRENT LEVEL)				
ITEM	PT/ASSY	DESCRIPTION	TYPE	QTY.
1	200	SHOWER ARM 6" BRASS	PART	1
2	206	SHOWER ARM FLANGE	PART	1
3	2155	SHOWER HEAD, CONTEMP	ASSEMBLY	1
4	1-595	BP VALVE ASM W/ DIVERTER	ASSEMBLY	1
5	2-217	DIVERTER TRIM KIT	ASSEMBLY	1
6	2-438	COVERPLATE BP W/DIV ASM	ASSEMBLY	1
7	2-564	TUB SPOUT	ASSEMBLY	1
8	3-279	CROSS HANDLE/ESCUTCHEON ASM	ASSEMBLY	1



COPYRIGHT 2005 BRASSTECH, INC. THESE DRAWINGS AND THE DESIGNS DEPICTED HEREIN ARE THE PROPRIETARY PROPERTY OF BRASSTECH. ANY USE OR REPRODUCTION IS SUBJECT TO THE EXPRESS APPROVAL OF BRASSTECH. UNAUTHORIZED USE IS STRICTLY PROHIBITED. ALL RIGHTS RESERVED.

BRASSTECH
INCORPORATED
2001 E. CARNEGIE AVE.
SANTA ANA, CA 92705
(949) 417-5207

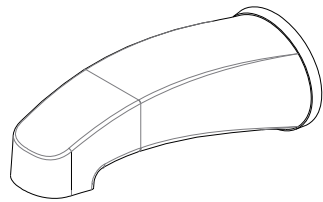
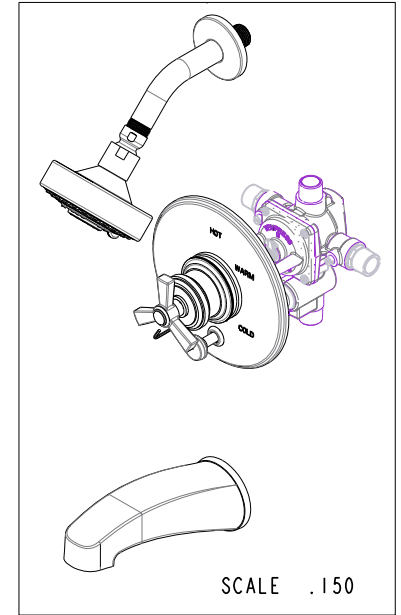
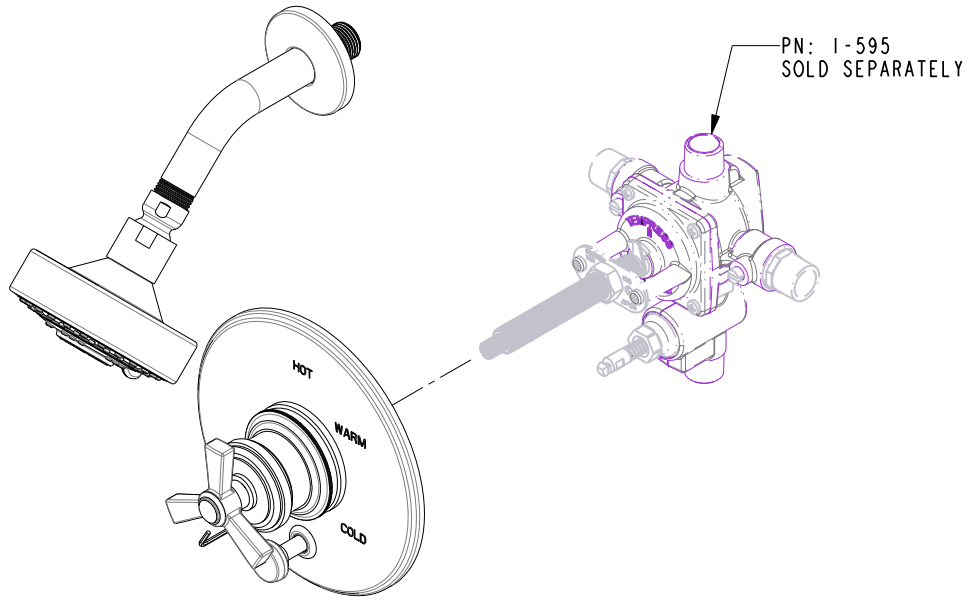
TRIM KIT (3-1602BP)

ASSY. NO. 3-1602BP

SCALE .250 REF. *** SHEET 1 OF 3

C	EN-2802	09/11/14
B	EN-1745	08/22/11
A	EN-1183	03/23/09
-	EO-0255	01/27/04
REV	REV DESC	DATE

SPECIFICATION DWG



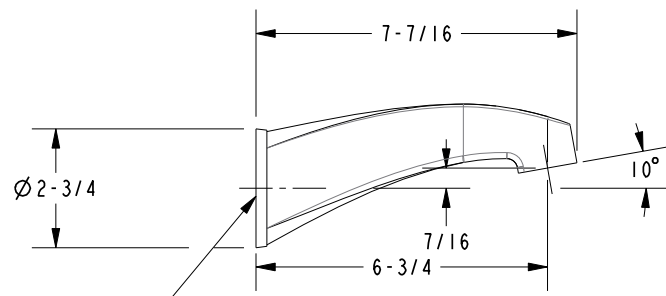
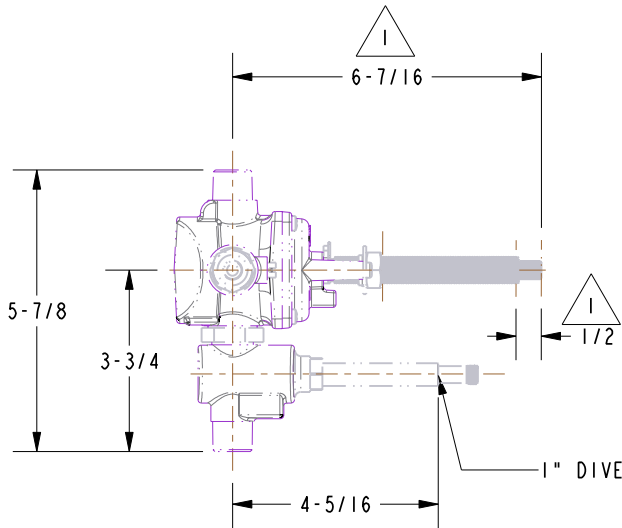
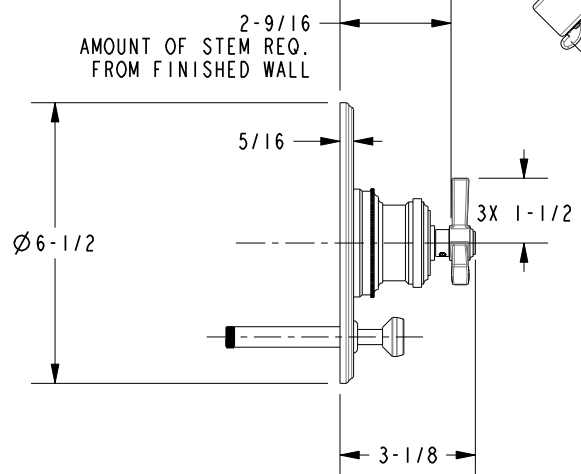
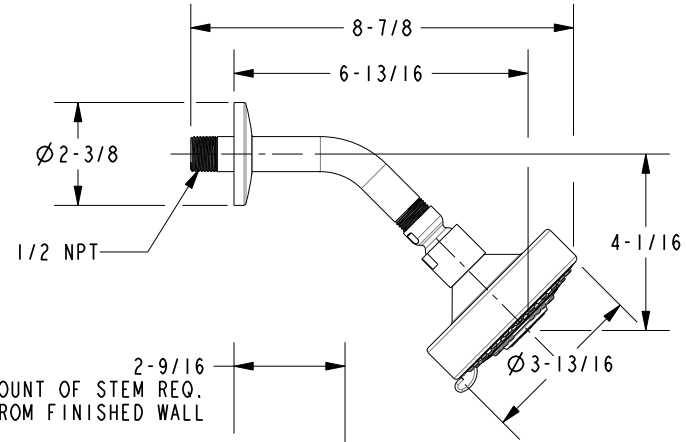
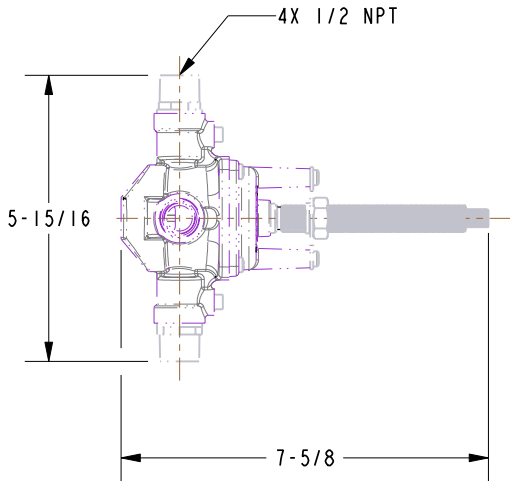
DIMENSIONS ARE IN INCHES AND AN APPROXIMATION OF A TYPICAL INSTALLATION

COPYRIGHT 2005 BRASSTECH, INC. THESE DRAWINGS AND THE DESIGNS DEPICTED HEREIN ARE THE PROPRIETARY PROPERTY OF BRASSTECH. ANY USE OR REPRODUCTION IS SUBJECT TO THE EXPRESS APPROVAL OF BRASSTECH. UNAUTHORIZED USE IS STRICTLY PROHIBITED. ALL RIGHTS RESERVED.

BRASSTECH		2001 CARNEGIE AVE. SANTA ANA, CA 92705 (949) 417-5207	
INCORPORATED			
DWG NO.	3-1602BP		REV C
SCALE .250	REF. ***	SHEET 2 OF	3

SPECIFICATION DWG

NOTES:
 1. CUT STEM TO DIMENSION SHOWN.
 CUT ALL-THREAD 1/2" SHORTER THAN STEM.



3/4-14 NPT
 3/4-14 TO 1/2-14 NPT ADAPTER INCLUDED

DIMENSIONS ARE IN INCHES AND AN APPROXIMATION OF A TYPICAL INSTALLATION

COPYRIGHT 2005 BRASSTECH, INC. THESE DRAWINGS AND THE DESIGNS DEPICTED HEREIN ARE THE PROPRIETARY PROPERTY OF BRASSTECH. ANY USE OR REPRODUCTION IS SUBJECT TO THE EXPRESS APPROVAL OF BRASSTECH. UNAUTHORIZED USE IS STRICTLY PROHIBITED. ALL RIGHTS RESERVED.

BRASSTECH		2001 CARNEGIE AVE. SANTA ANA, CA 92705 (949) 417-5207
DWG NO.	3-1602BP	REV C
SCALE .250	REF. -	SHEET 3 OF 3