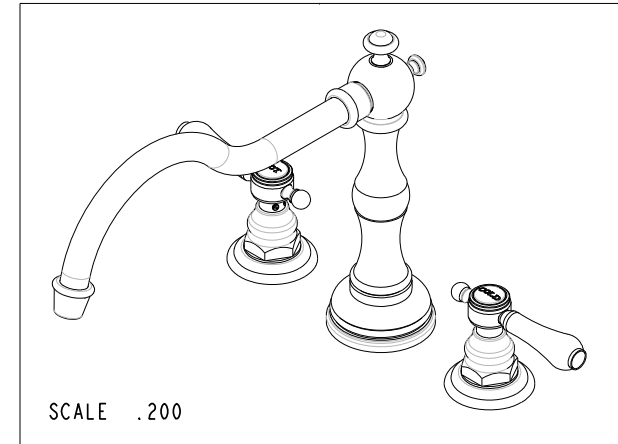
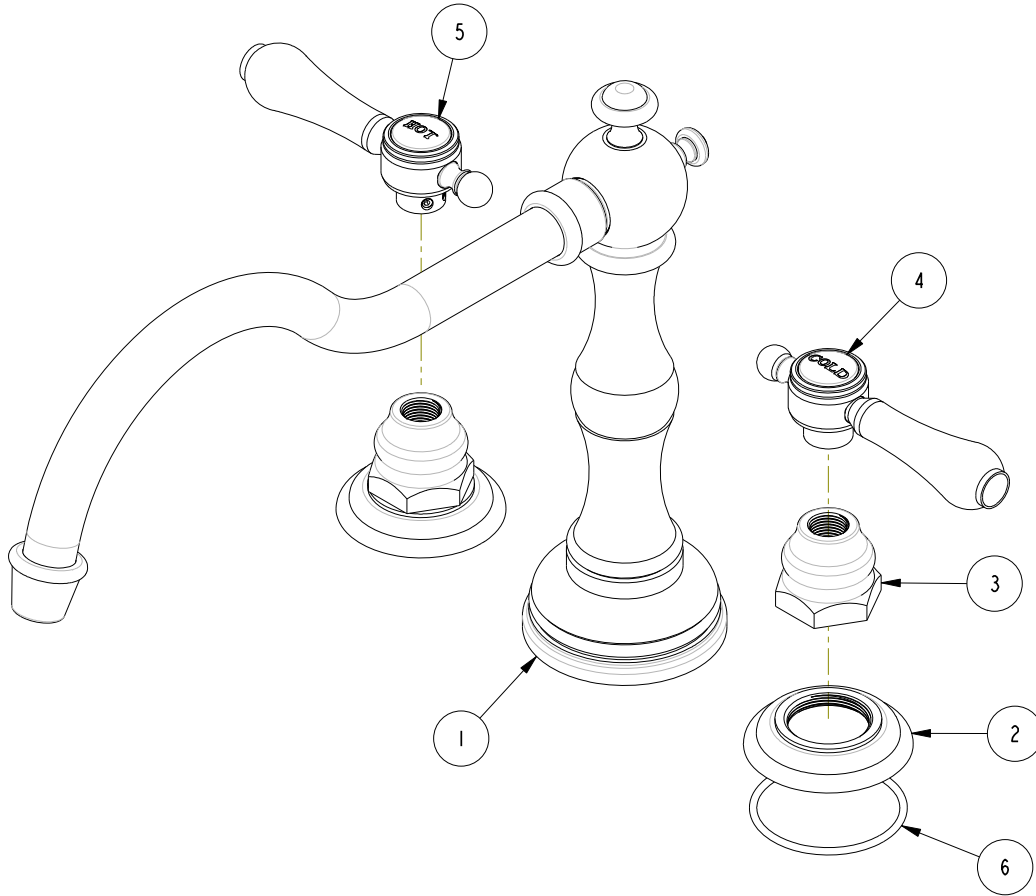


NOTES:

(N1) 1. FIT / FORM / FUNCTION SHALL FOLLOW PS-E.008.

**BILL OF MATERIAL (CURRENT LEVEL)**

ITEM	PT/ASSY	DESCRIPTION	TYPE	QTY.
1	2-210	930 ROMAN TUB SPOUT	ASSEMBLY	1
2	12171	ESCUTCHEON, ROMAN TUB	PART	2
3	10523	HEX ESCUTCHEON BONNET	PART	2
4	2-133	HANDLE ASSEMBLY - COLD	ASSEMBLY	1
5	2-134	HANDLE ASSEMBLY - HOT	ASSEMBLY	1
6	91231	O-RING, #2-136, EPDM, 65-75 DURO	PART	2



ZONE	REV	DESCRIPTION	DATE	APPROVED
-	B	EN-2519b	12/07/15	AN
-	A	EN-2032	01/07/14	-

COPYRIGHT 2005 BRASSTECH, INC. THESE DRAWINGS AND THE DESIGNS DEPICTED HEREIN ARE THE PROPRIETARY PROPERTY OF BRASSTECH. ANY USE OR REPRODUCTION IS SUBJECT TO THE EXPRESS APPROVAL OF BRASSTECH. UNAUTHORIZED USE IS STRICTLY PROHIBITED. ALL RIGHTS RESERVED.

TESTING	ASSEMBLY	PLATING	POLISHING	MACHINING	TOOLING FIXTURE #	APPLICATION
-	-	-	-	-	-	REMOVE ALL BURRS AND SHARP EDGES

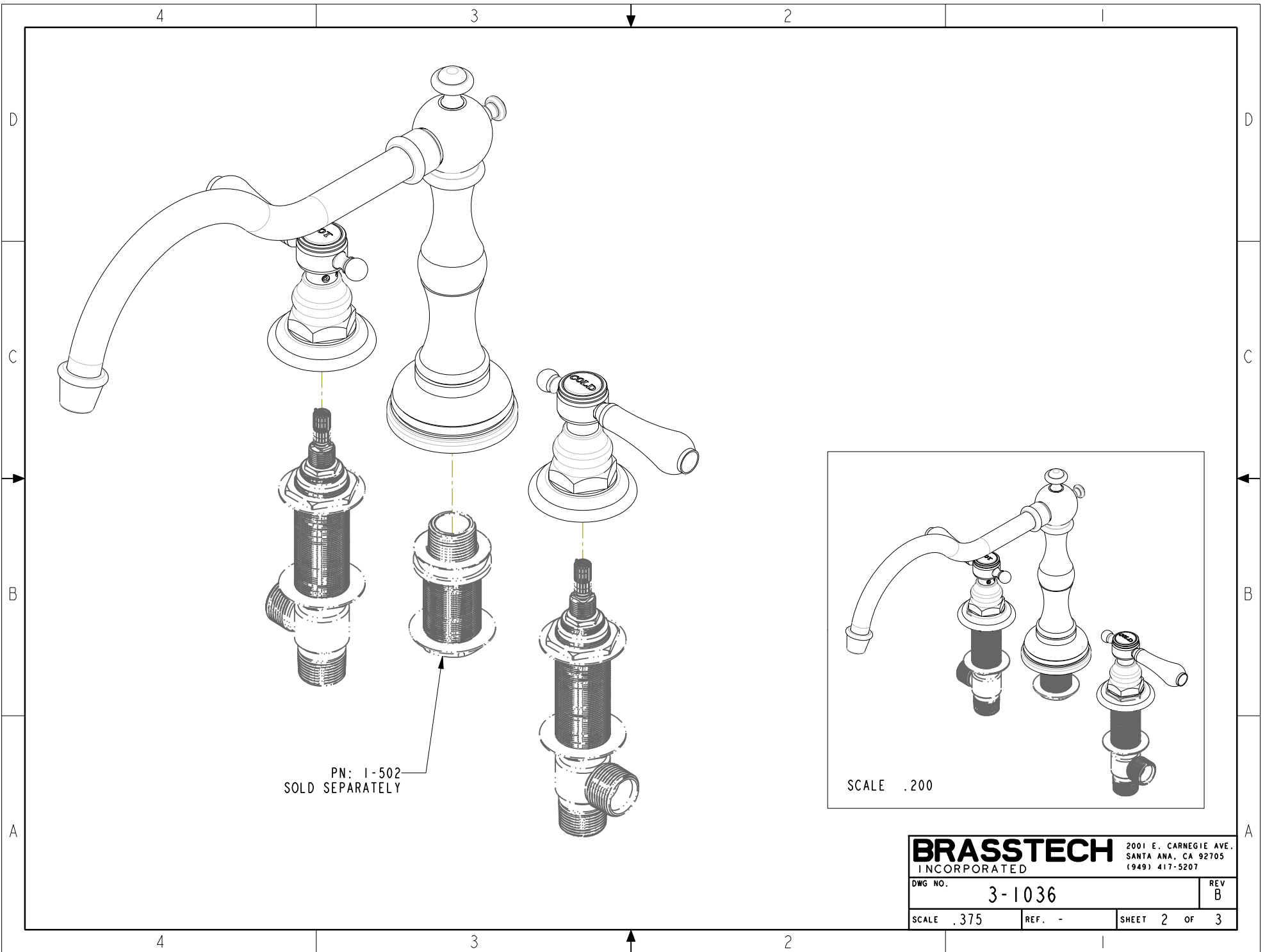
UNITS ARE: INCHES [MM]  
 TOLERANCES ARE:  
 FRACTIONS DECIMALS ANGLES  
 $\pm 1/16"$  .X  $\pm .1$  (2.5)  $\pm 1^\circ$   
 .XX  $\pm .06$  (1.5)  
 (X.XXX) DENOTES CRITICAL DIMS.  
 ALL THREADS ARE CRITICAL  
 DRAWN AN 12/07/15  
 CHECKED AN 12/07/15  
 APPROVED AN 12/07/15

**BRASSTECH** 2001 CARNEGIE AVE.  
 INCORPORATED SANTA ANA, CA 92705  
 (949) 417-5207

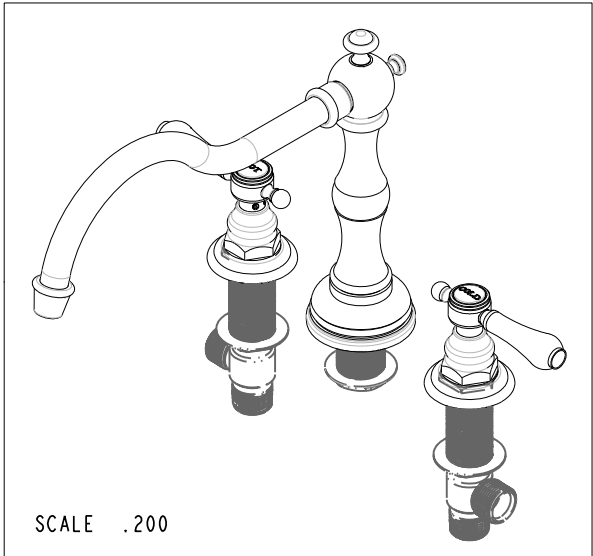
**TRIM KIT-R/T SET**

DWG NO. **3-1036** REV **B**

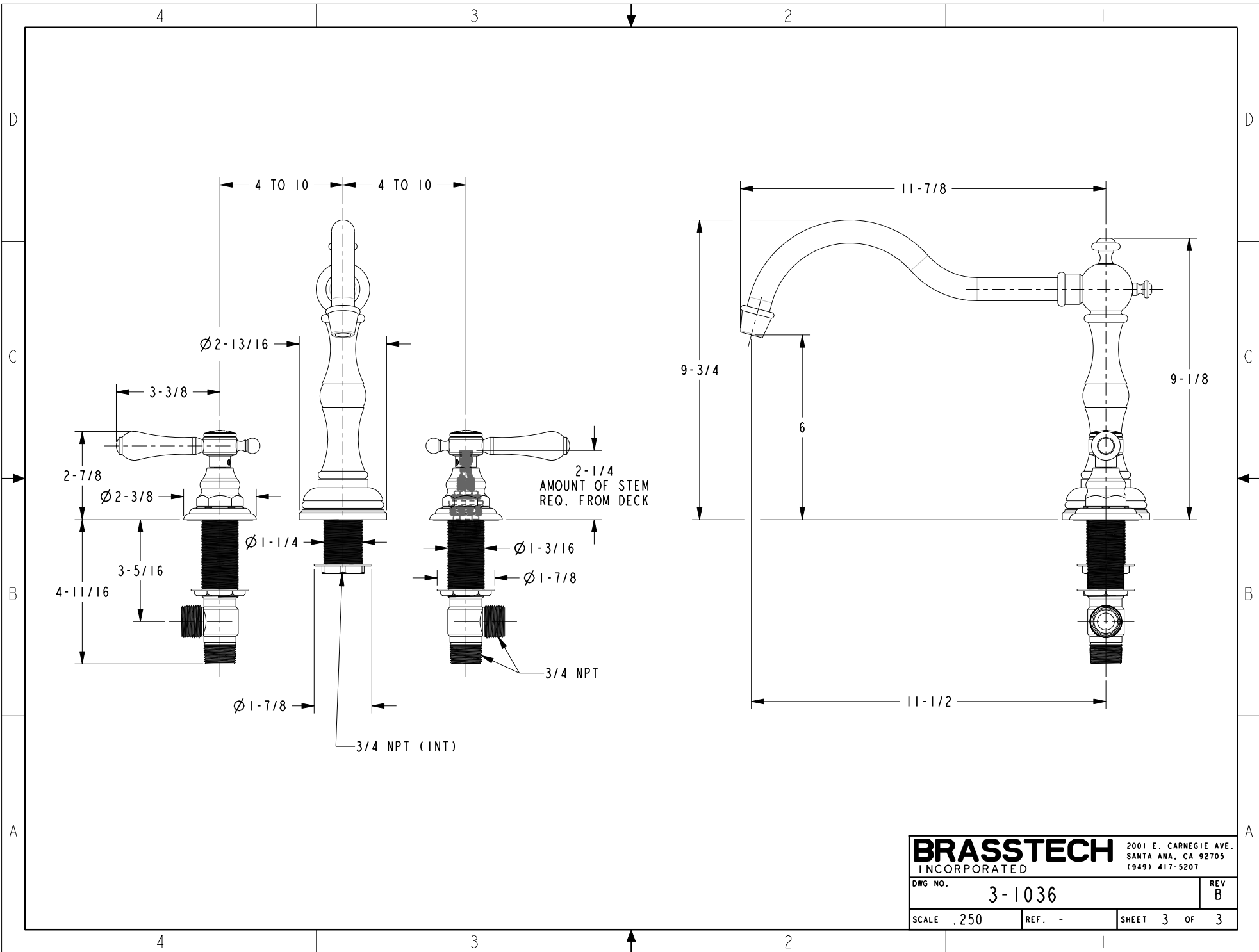
SCALE .375 REF. - SHEET 1 OF 3



PN: 1-502  
SOLD SEPARATELY



<b>BRASSTECH</b>		2001 E. CARNEGIE AVE.	
INCORPORATED		SANTA ANA, CA 92705	
DWG NO. 3-1036		REV B	
SCALE .375	REF. -	SHEET 2 OF 3	



<b>BRASSTECH</b>		2001 E. CARNEGIE AVE. SANTA ANA, CA 92705 (949) 417-5207	
DWG NO.	3-1036	REV	B
SCALE	.250	REF.	-
SHEET 3		OF 3	