

4

3

2

1

D

D

C

C

B

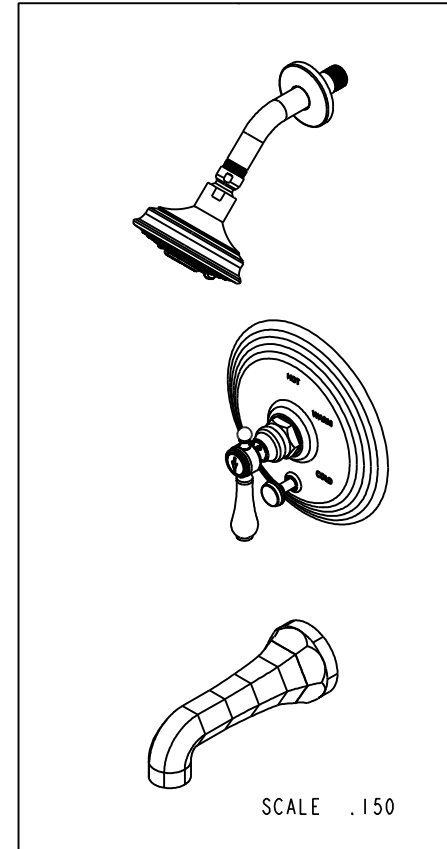
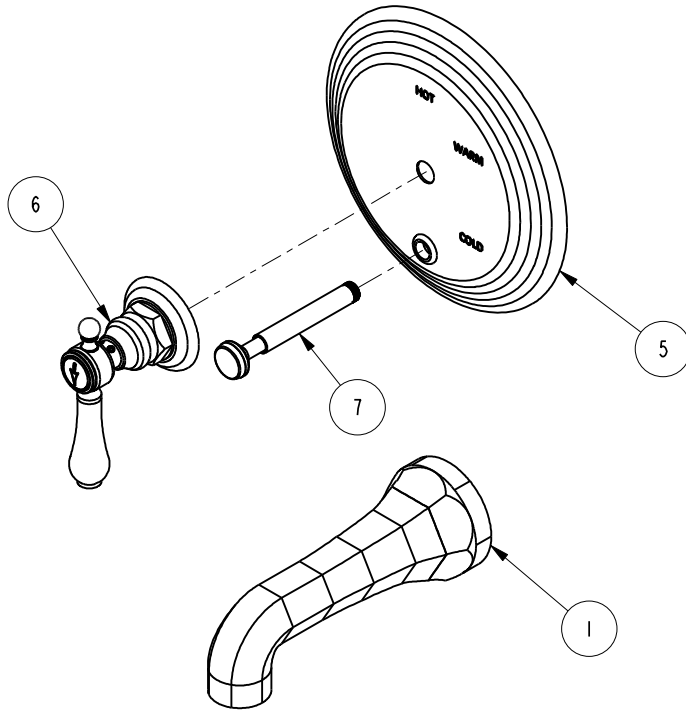
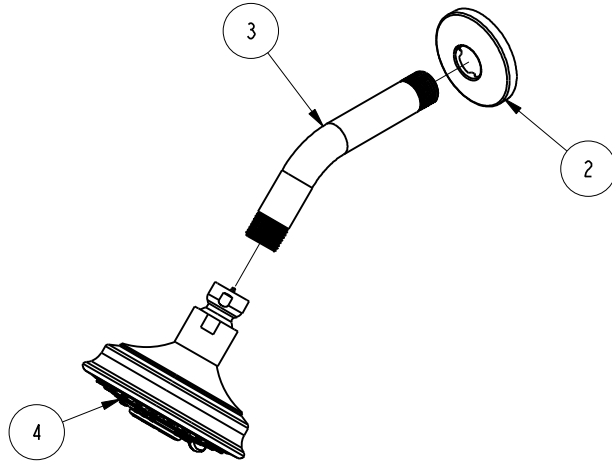
B

A

A

### BILL OF MATERIAL (CURRENT LEVEL)

ITEM	PT/ASSY	DESCRIPTION	TYPE	QTY.
1	2-144	WALL TUB SPOUT - HEX	ASSEMBLY	1
2	206	SHOWER ARM FLANGE	PART	1
3	200	SHOWER ARM 6" BRASS	PART	1
4	2156	SHOWER HEAD, TRAD	ASSEMBLY	1
5	2-224	COVERPLATE BP W/DIVERTER	ASSEMBLY	1
6	3-241	TRIM KIT - HANDLE ESCUTCHEON	ASSEMBLY	1
7	2-217	DIVERTER TRIM KIT	ASSEMBLY	1



COPYRIGHT 2005 BRASSTECH, INC. THESE DRAWINGS AND THE DESIGNS DEPICTED HEREIN ARE THE PROPRIETARY PROPERTY OF BRASSTECH. ANY USE OR REPRODUCTION IS SUBJECT TO THE EXPRESS APPROVAL OF BRASSTECH. UNAUTHORIZED USE IS STRICTLY PROHIBITED. ALL RIGHTS RESERVED.

**BRASSTECH**  
INCORPORATED

2001 E. CARNEGIE AVE.  
SANTA ANA, CA 92705  
(949) 417-5207

TRIM-BP TUB / SHOWER SET 3-1032BP

ASSY. NO. 3-1032BP

SCALE .225

REF. -

SHEET 1 OF 3

C	EN-2802	09/05/14
B	EN-1745	08/22/11
A	EN-1183	03/23/09
-	RELEASED	06/03/03
REV	REV DESC	DATE

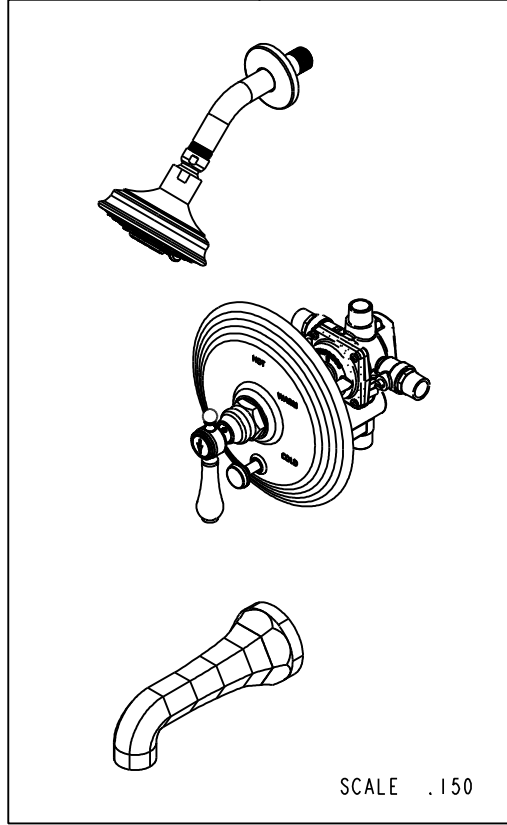
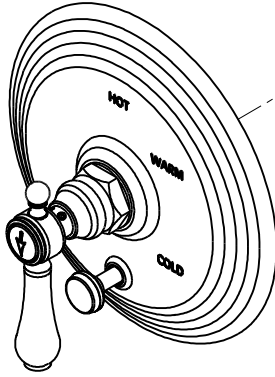
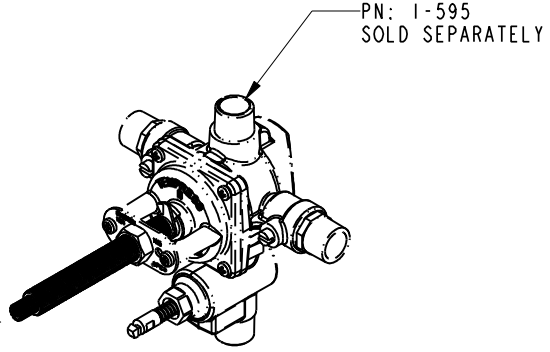
4

3

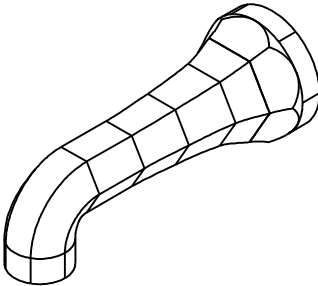
2

1

SPECIFICATION DWG



SCALE .150



DIMENSIONS ARE IN INCHES AND AN APPROXIMATION OF A TYPICAL INSTALLATION

COPYRIGHT 2005 BRASSTECH, INC. THESE DRAWINGS AND THE DESIGNS DEPICTED HEREIN ARE THE PROPRIETARY PROPERTY OF BRASSTECH. ANY USE OR REPRODUCTION IS SUBJECT TO THE EXPRESS APPROVAL OF BRASSTECH. UNAUTHORIZED USE IS STRICTLY PROHIBITED. ALL RIGHTS RESERVED.

<b>BRASSTECH</b>		2001 CARNEGIE AVE. SANTA ANA, CA 92705 (949) 417-5207	
DWG NO.	3-1032BP		REV C
SCALE .250	REF. -	SHEET 2 OF 3	

**SPECIFICATION DWG**

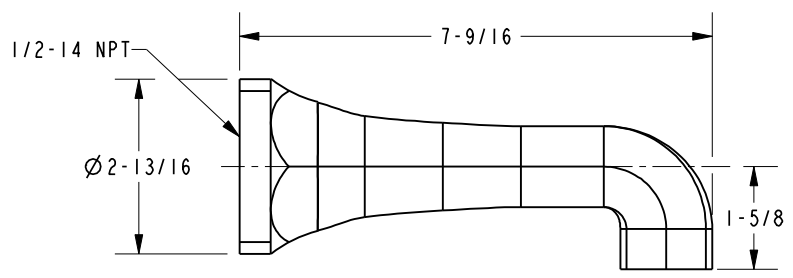
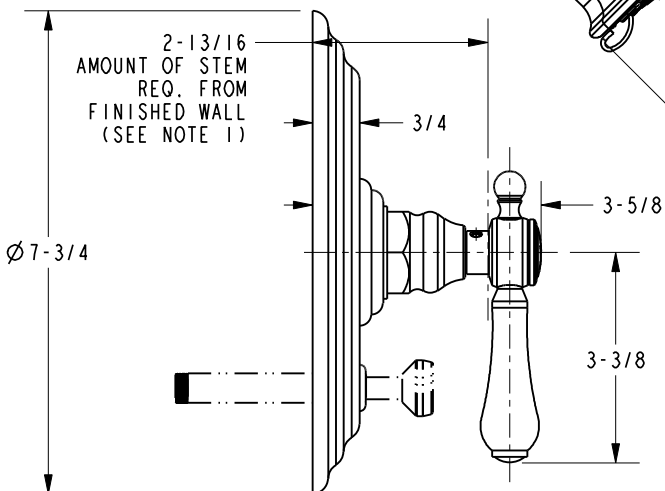
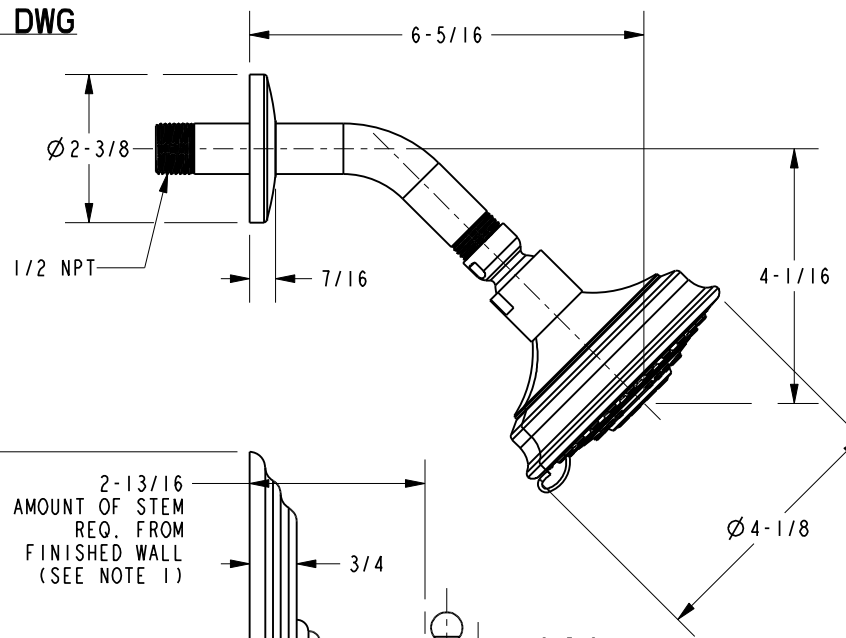
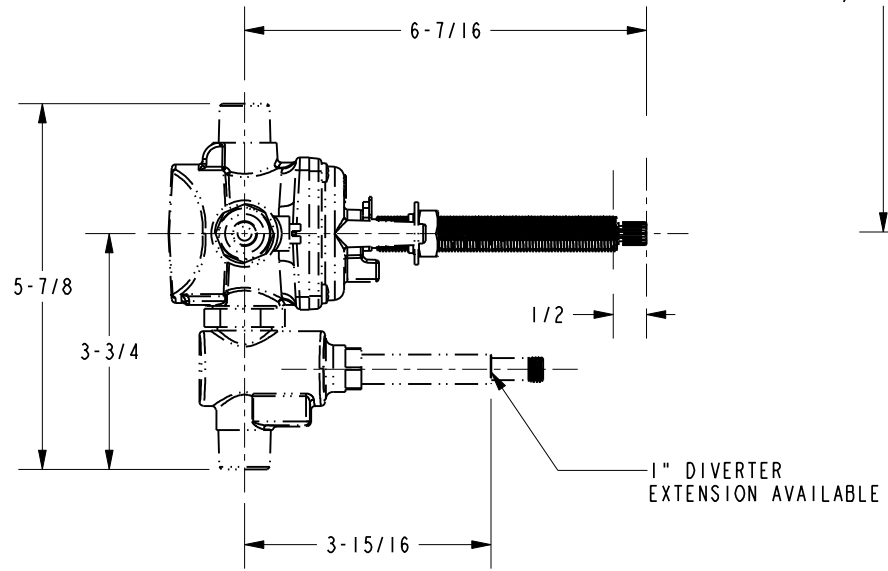
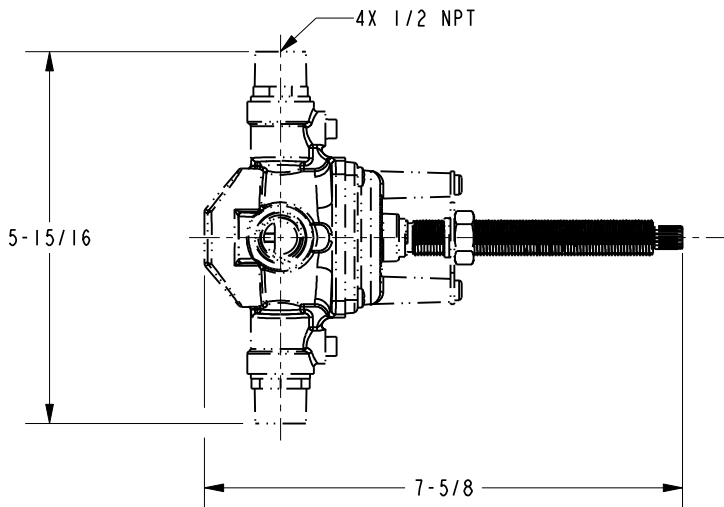
NOTES:  
 1. CUT STEM TO DIMENSION "A"  
 CUT ALL-THREAD 1/2" SHORTER THAN STEM.

D

C

B

A



1/2-14 NPT

DIMENSIONS ARE IN INCHES AND AN APPROXIMATION OF A TYPICAL INSTALLATION

COPYRIGHT 2005 BRASSTECH, INC. THESE DRAWINGS AND THE DESIGNS DEPICTED HEREIN ARE THE PROPRIETARY PROPERTY OF BRASSTECH. ANY USE OR REPRODUCTION IS SUBJECT TO THE EXPRESS APPROVAL OF BRASSTECH. UNAUTHORIZED USE IS STRICTLY PROHIBITED. ALL RIGHTS RESERVED.

<b>BRASSTECH</b>		2001 CARNEGIE AVE. SANTA ANA, CA 92705 (949) 417-5207	
DWG NO.	3-1032BP		REV C
SCALE	3/32	REF.	-
SHEET		3	OF 3

D

C

B

A