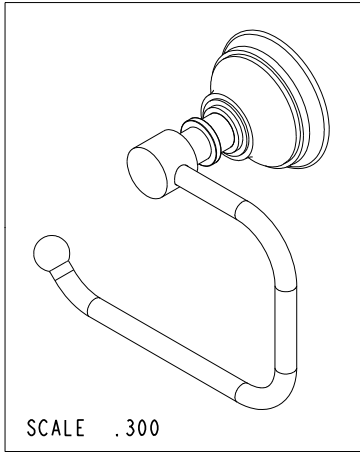


**BILL OF MATERIAL (CURRENT LEVEL)**

| ITEM | PT/ASSY | DESCRIPTION                       | TYPE     | QTY. |
|------|---------|-----------------------------------|----------|------|
| 1    | 12240   | HANDLE ESCUTCHEON                 | PART     | 1    |
| 2    | 11490   | HANDLE BONNET                     | PART     | 1    |
| 3    | 10017   | ESCUTCHEON NUT                    | PART     | 1    |
| 4    | 1-212   | ACCESSORY MTG KIT                 | ASSEMBLY | 1    |
| 5    | 1-125   | HARDWARE KIT                      | ASSEMBLY | 1    |
| 6    | 40243   | OPEN TOWEL/TISSUE POST            | PART     | 1    |
| 7    | 92000   | SCRW, 8-32 X 1/8 SKT HD CUP PT SS | PART     | 1    |
| 8    | 2-304   | ROLLER ASM-TISSUE                 | ASSEMBLY | 1    |
| 9    | 92107   | SCRW, 8-32 X 1/4 SKT HD DOG PT SS | PART     | 1    |
| 10   | 91082   | O-RING, #2-139, EPDM, 65-75 DURO  | PART     | 1    |



COPYRIGHT 2005 BRASSTECH, INC. THESE DRAWINGS AND THE DESIGNS DEPICTED HEREIN ARE THE PROPRIETARY PROPERTY OF BRASSTECH. ANY USE OR REPRODUCTION IS SUBJECT TO THE EXPRESS APPROVAL OF BRASSTECH. UNAUTHORIZED USE IS STRICTLY PROHIBITED. ALL RIGHTS RESERVED.

**BRASSTECH**  
INCORPORATED

2001 E. CARNEGIE AVE.  
SANTA ANA, CA 92705  
(949) 417-5207

SINGLE POST TISSUE HOLDER

ASSY. NO. 30-27

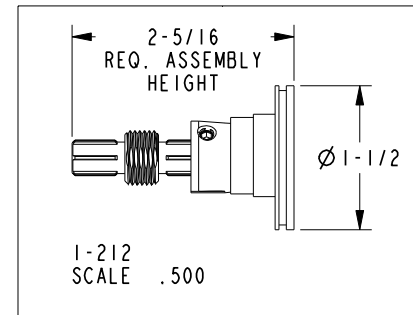
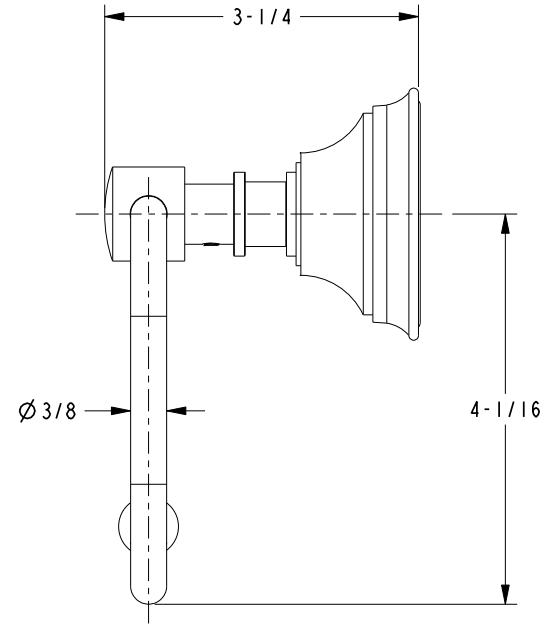
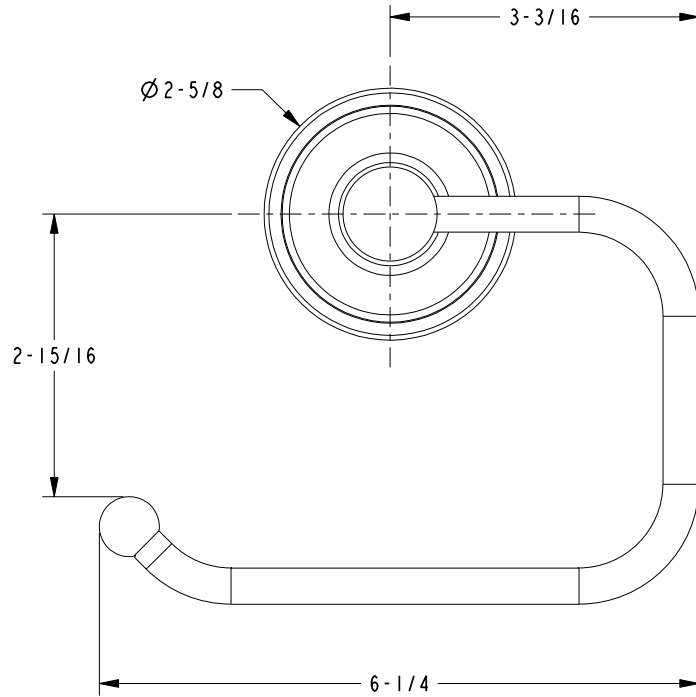
SCALE .400

REF. -

SHEET 1 OF 2

|     |          |          |
|-----|----------|----------|
| B   | EN-2510b | 07/12/13 |
| A   | EN-1241  | 12/10/09 |
| -   | EO-0320  | 02/27/04 |
| REV | REV DESC | DATE     |

**SPECIFICATION DWG**



DIMENSIONS ARE IN INCHES AND AN APPROXIMATION OF A TYPICAL INSTALLATION

COPYRIGHT 2005 BRASSTECH, INC. THESE DRAWINGS AND THE DESIGNS DEPICTED HEREIN ARE THE PROPRIETARY PROPERTY OF BRASSTECH. ANY USE OR REPRODUCTION IS SUBJECT TO THE EXPRESS APPROVAL OF BRASSTECH. UNAUTHORIZED USE IS STRICTLY PROHIBITED. ALL RIGHTS RESERVED.

|                  |       |   |      |
|------------------|-------|---|------|
| <b>BRASSTECH</b> |       | 2001 CARNEGIE AVE.<br>SANTA ANA, CA 92705<br>(949) 417-5207 |      |
| DWG NO.          | 30-27 | REV   | B    |
| SCALE            | .500  | REF.  | -    |
| SHEET            |       | 2   | OF 2 |