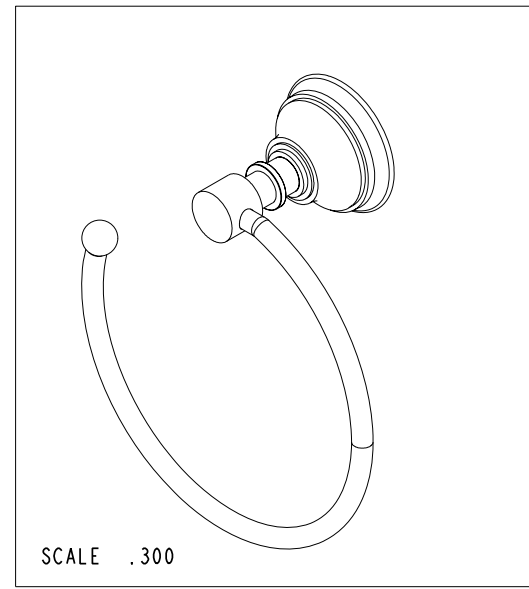


BILL OF MATERIAL (CURRENT LEVEL)

ITEM	PT/ASSY	DESCRIPTION	TYPE	QTY.
1	12240	HANDLE ESCUTCHEON	PART	1
2	11490	HANDLE BONNET	PART	1
3	10017	ESCUTCHEON NUT	PART	1
4	40243	OPEN TOWEL/TISSUE POST	PART	1
5	7-572	OPEN TOWEL HOLDER ROD ASSY	ASSEMBLY	1
6	92000	SCRW, 8-32 X 1/8 SKT HD CUP PT SS	PART	1
7	92107	SCRW, 8-32 X 1/4 SKT HD DOG PT SS	PART	1
8	1-212	ACCESSORY MTG KIT	ASSEMBLY	1
9	1-125	HARDWARE KIT	ASSEMBLY	1
10	91082	O-RING, #2-139, EPDM, 65-75 DURO	PART	1



COPYRIGHT 2005 BRASSTECH, INC. THESE DRAWINGS AND THE DESIGNS DEPICTED HEREIN ARE THE PROPRIETARY PROPERTY OF BRASSTECH. ANY USE OR REPRODUCTION IS SUBJECT TO THE EXPRESS APPROVAL OF BRASSTECH. UNAUTHORIZED USE IS STRICTLY PROHIBITED. ALL RIGHTS RESERVED.

BRASSTECH
INCORPORATED
2001 E. CARNEGIE AVE.
SANTA ANA, CA 92705
(949) 417-5207

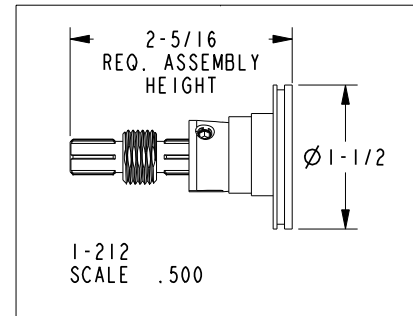
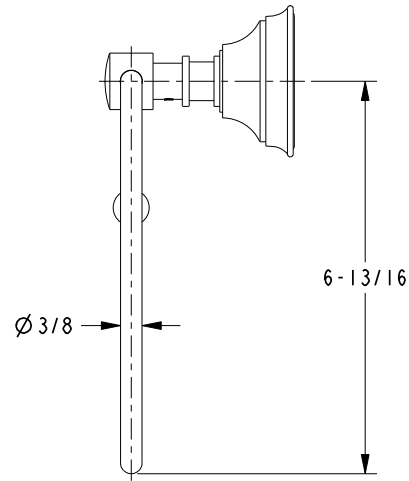
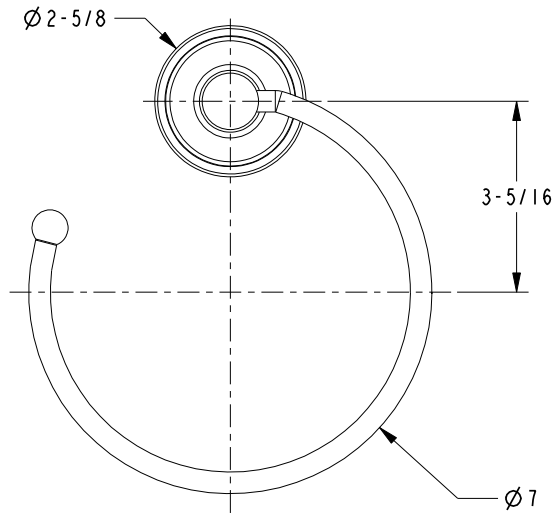
OPEN TOWEL RING HOLDER

ASSY. NO. 30-10

SCALE .400 REF. - SHEET 1 OF 2

B	EN-2510b	07/12/13
A	EN-1241	12/10/09
-	EO-0320	02/27/04
REV	REV DESC	DATE

SPECIFICATION DWG



DIMENSIONS ARE IN INCHES AND AN APPROXIMATION OF A TYPICAL INSTALLATION

COPYRIGHT 2005 BRASSTECH, INC. THESE DRAWINGS AND THE DESIGNS DEPICTED HEREIN ARE THE PROPRIETARY PROPERTY OF BRASSTECH. ANY USE OR REPRODUCTION IS SUBJECT TO THE EXPRESS APPROVAL OF BRASSTECH. UNAUTHORIZED USE IS STRICTLY PROHIBITED. ALL RIGHTS RESERVED.

BRASSTECH		2001 CARNEGIE AVE. SANTA ANA, CA 92705 (949) 417-5207	
DWG NO.	30-10	REV	B
SCALE	.300	REF.	-
SHEET	2	OF	2