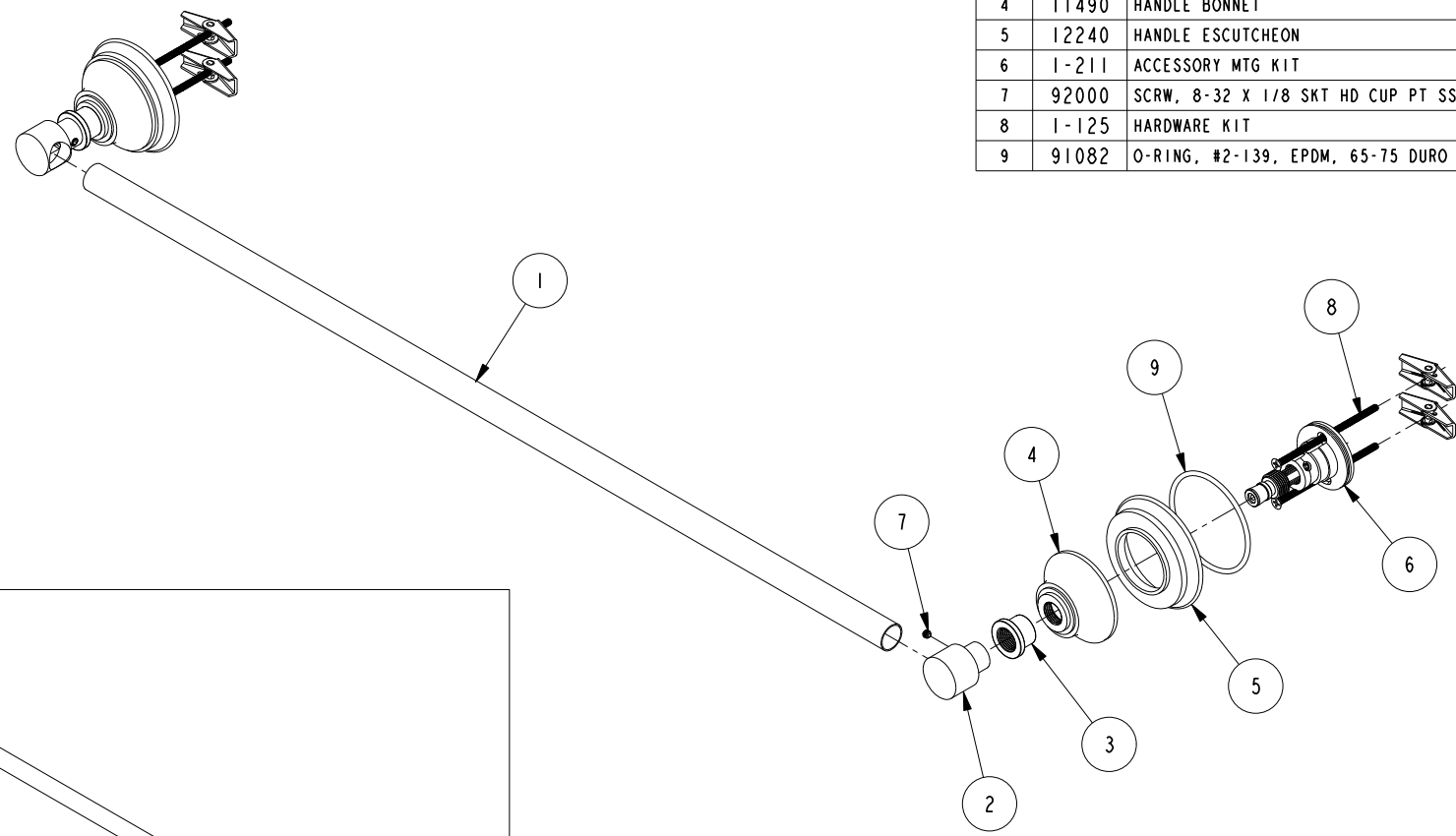


BILL OF MATERIAL (CURRENT LEVEL)				
ITEM	PT/ASSY	DESCRIPTION	TYPE	QTY.
1	10124	24 IN. TOWEL BAR	PART	1
2	10962	TOWEL POST	PART	2
3	10017	ESCUTCHEON NUT	PART	2
4	11490	HANDLE BONNET	PART	2
5	12240	HANDLE ESCUTCHEON	PART	2
6	1-211	ACCESSORY MTG KIT	ASSEMBLY	2
7	92000	SCRW, 8-32 X 1/8 SKT HD CUP PT SS	PART	2
8	1-125	HARDWARE KIT	ASSEMBLY	2
9	91082	O-RING, #2-139, EPDM, 65-75 DURO	PART	2



COPYRIGHT 2005 BRASSTECH, INC. THESE DRAWINGS AND THE DESIGNS DEPICTED HEREIN ARE THE PROPRIETARY PROPERTY OF BRASSTECH. ANY USE OR REPRODUCTION IS SUBJECT TO THE EXPRESS APPROVAL OF BRASSTECH. UNAUTHORIZED USE IS STRICTLY PROHIBITED. ALL RIGHTS RESERVED.

BRASSTECH
INCORPORATED

2001 E. CARNEGIE AVE.
SANTA ANA, CA 92705
(949) 417-5207

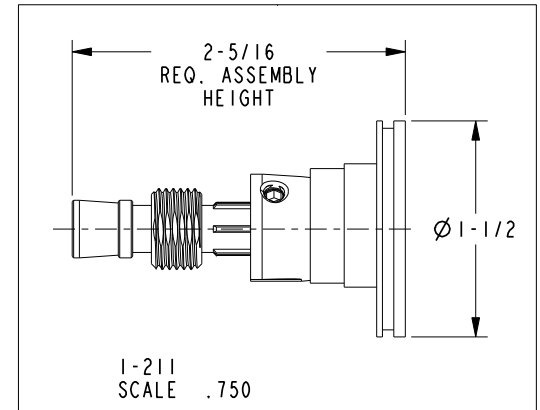
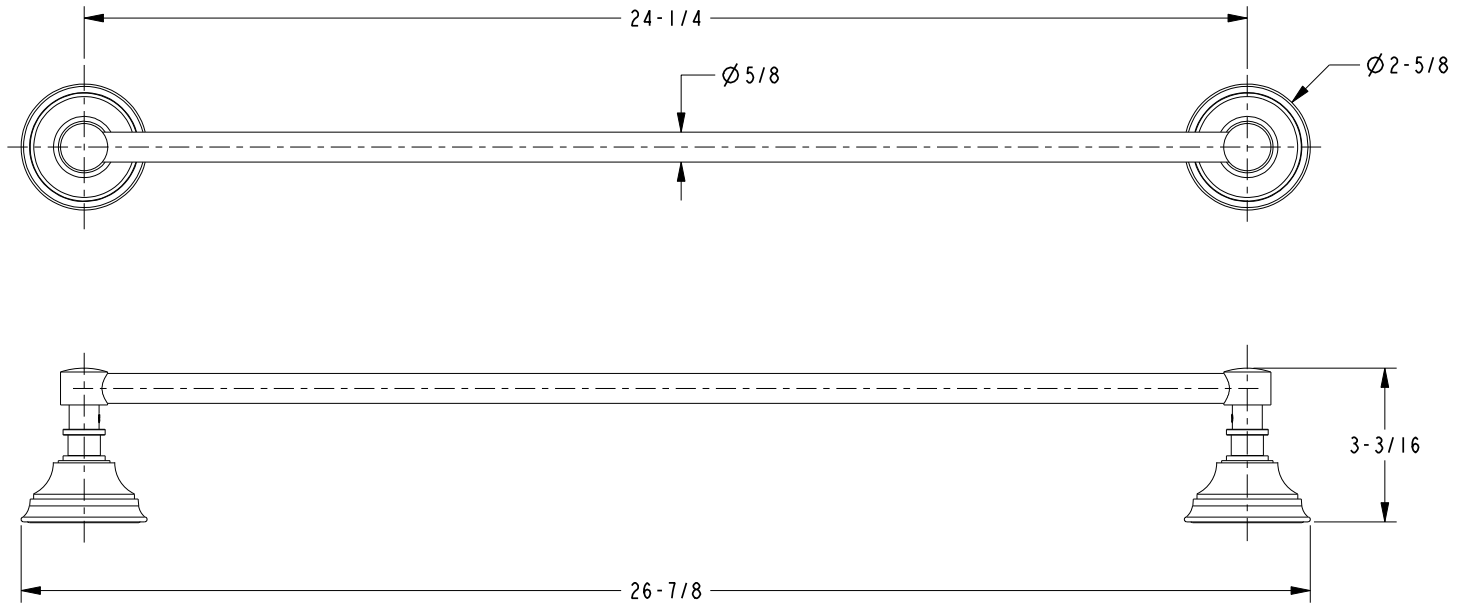
SINGLE TOWEL BAR, 24"

ASSY. NO. 30-02

SCALE .250 REF. - SHEET 1 OF 2

B	EN-2510b	07/12/13
A	EN-1241	12/09/09
-	EO-0320	02/27/04
REV	REV DESC	DATE

SPECIFICATION DWG



DIMENSIONS ARE IN INCHES AND AN APPROXIMATION OF A TYPICAL INSTALLATION

COPYRIGHT 2005 BRASSTECH, INC. THESE DRAWINGS AND THE DESIGNS DEPICTED HEREIN ARE THE PROPRIETARY PROPERTY OF BRASSTECH. ANY USE OR REPRODUCTION IS SUBJECT TO THE EXPRESS APPROVAL OF BRASSTECH. UNAUTHORIZED USE IS STRICTLY PROHIBITED. ALL RIGHTS RESERVED.

BRASSTECH		2001 CARNEGIE AVE. SANTA ANA, CA 92705 (949) 417-5207	
DWG NO.	30-02	REV	B
SCALE	.250	REF.	-
SHEET		2	OF 2