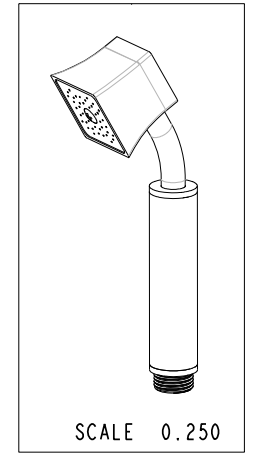
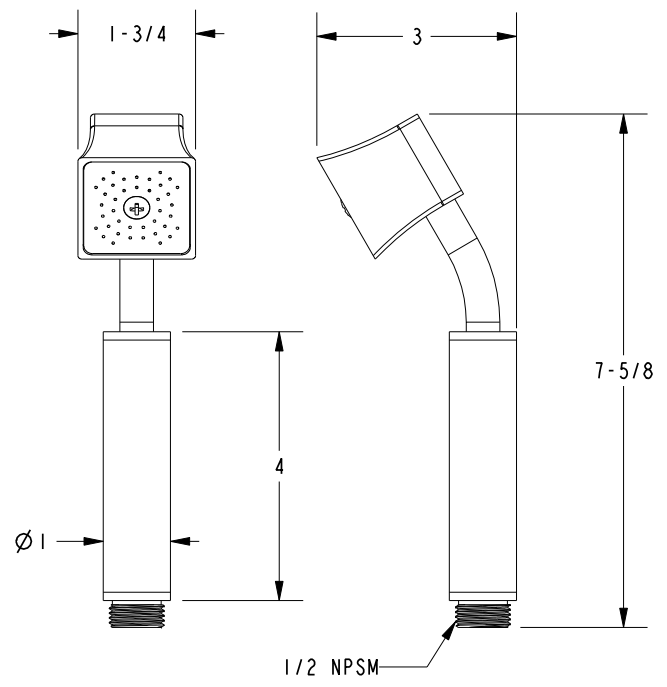
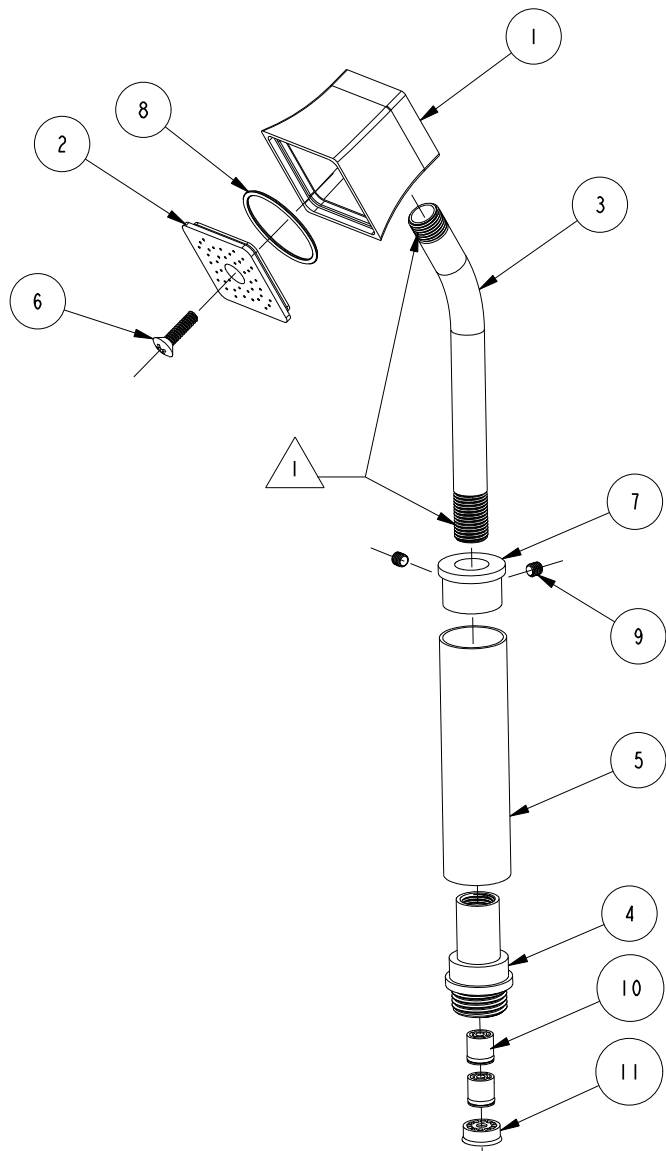


NOTES:

1. APPLY ADHESIVE LOCTITE 680 OR EQUIVALENT.

BILL OF MATERIAL (CURRENT LEVEL)				
ITEM	PT/ASSY	DESCRIPTION	TYPE	QTY.
1	50622	HANDSHOWER HEAD - SO	PART	1
2	50623	HNDSHWR FACE PLATE - SO	PART	1
3	50914	TUBE STEM	PART	1
4	50913	END NUT	PART	1
5	50489	HANDLE SLEEVE	PART	1
6	92126	SCREW 10-24X 7/8 BRS PHL OVL HD	PART	1
7	50487	HANDLE STOP	PART	1
8	91080	O-RING (PARKER 2-027)	PART	1
9	92004	SET SCREW 10-32 X 3/16	PART	2
10	5-050	CHECK VALVE, NEOPERL DW10, WHITE	PART	2
11	11913	FLOW REGULATOR, 2.0 GPM MAX	PART	1



COPYRIGHT 2005 BRASSTECH, INC. THESE DRAWINGS AND THE DESIGNS DEPICTED HEREIN ARE THE PROPRIETARY PROPERTY OF BRASSTECH. ANY USE OR REPRODUCTION IS SUBJECT TO THE EXPRESS APPROVAL OF BRASSTECH. UNAUTHORIZED USE IS STRICTLY PROHIBITED. ALL RIGHTS RESERVED.

BRASSTECH
INCORPORATED
2001 E. CARNEGIE AVE.
SANTA ANA, CA 92705
(949) 417-5207

HANDSHOWER TAPER HEAD

ASSY. NO. **283-1**

SCALE 0.350	REF. -	SHEET 1 OF 1	REV	REV DESC	DATE
-------------	--------	--------------	-----	----------	------

C	EN-2239	08/01/12
B	EN-2047	01/13/12
A	EN-1668	07/07/11
-	EO-0357	05/20/04