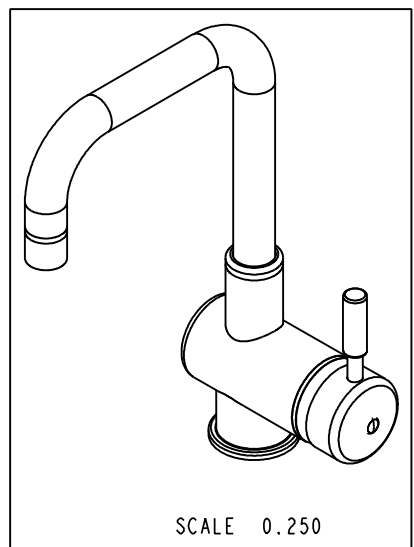


NOTES:

- (N1) 1. FIT / FORM / FUNCTION SHALL FOLLOW PS-E.008.
- 2. TRIM 3/8" OF SPLIT RING AND PLACE BETWEEN SPOUT AND BODY.

BILL OF MATERIAL (CURRENT LEVEL)

| ITEM | PT/ASSY | DESCRIPTION | TYPE | QTY. |
|------|---------|--|----------|------|
| 1 | 10514 | MOUNTING CRESCENT | PART | 1 |
| 2 | 10516 | MOUNTING NUT | PART | 1 |
| 3 | 10652 | BODY COLLAR | PART | 1 |
| 4 | 91031 | O-RING, #2- 129, EPDM EP7001, 65-75 DURO, NSF 61 | PART | 1 |
| 5 | 91063 | MOUNTING CRESCENT GASKET | PART | 1 |
| 6 | 91111 | SPLIT RING 3/4 X 1 NYLON | PART | 2 |
| 7 | 3-205 | BODY, CARTRIDGE, HANDLE ASM. | ASSEMBLY | 1 |
| 8 | 3-207 | BAR SPOUT ASSEMBLY SQUARE | ASSEMBLY | 1 |



| | | | | |
|-------------------|---|-----------|---------|--------------------------------|
| TESTING | - | - | - | UNITS ARE: INCHES [MM] |
| ASSEMBLY | - | - | - | TOLERANCES ARE: |
| PLATING | - | | | FRACTIONS DECIMALS ANGLES |
| POLISHING | - | NEXT ASSY | USED ON | ±1/16" .X ±.1 [2,5] ±1° |
| MACHINING | - | | | .XX ±.06 [1,5] |
| TOOLING FIXTURE # | | | | (X.XXX) DENOTES CRITICAL DIMS. |
| | | | | ALL THREADS ARE CRITICAL |
| | | | | DRAWN RAVINDRA 12/23/15 |
| | | | | CHECKED JINSON 12/23/15 |
| | | | | APPROVED J.M 01/15/16 |

BRASSTECH 2001 CARNEGIE AVE.
INCORPORATED SANTA ANA, CA 92705
(949) 417-5207

SQUARE SINGLE HOLE BAR FAUCET

DWG NO. **2007** REV **B**

SCALE 0.200 REF. - SHEET 1 OF 2

| ZONE | REV | DESCRIPTION | DATE | APPROVED |
|------|-----|-------------|----------|----------|
| - | B | EN-2643 | 01/15/16 | J.M |
| - | A | EN-2119 | 07/24/12 | - |
| - | - | RELEASED | 05/23/03 | - |

COPYRIGHT 2005 BRASSTECH, INC. THESE DRAWINGS AND THE DESIGNS DEPICTED HEREIN ARE THE PROPRIETARY PROPERTY OF BRASSTECH. ANY USE OR REPRODUCTION IS SUBJECT TO THE EXPRESS APPROVAL OF BRASSTECH. UNAUTHORIZED USE IS STRICTLY PROHIBITED. ALL RIGHTS RESERVED.

