

4

3

2

1

D

D

C

C

B

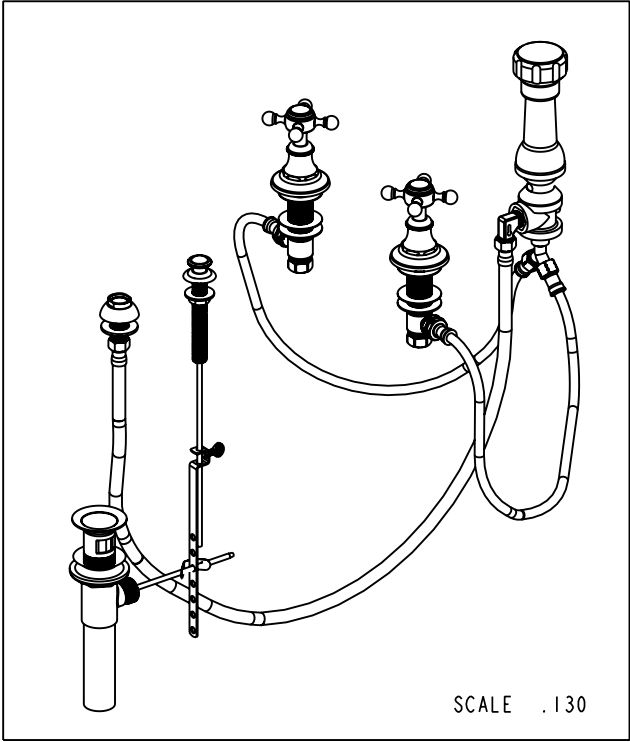
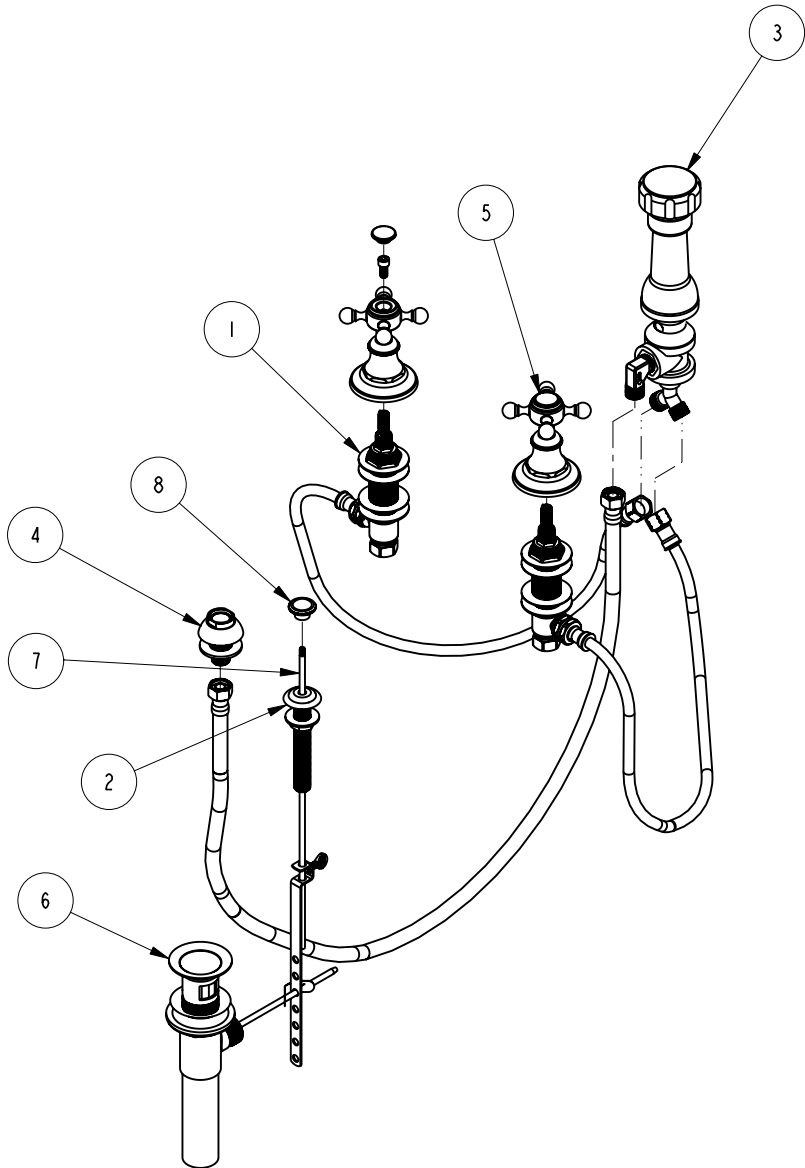
B

A

A

BILL OF MATERIAL (CURRENT LEVEL)

ITEM	PT/ASSY	DESCRIPTION	TYPE	QTY.
1	1-542	VALVE KIT - BIDET	ASSEMBLY	1
2	2-159	POP-UP ROD GUIDE ASSEMBLY	ASSEMBLY	1
3	2-235	BIDET DIVERTER / V. BRE	ASSEMBLY	1
4	2-236	DOUCHE SPRAY ASSEMBLY	ASSEMBLY	1
5	3-322	CROSS HANDLE ASSEMBLY	ASSEMBLY	2
6	325	POP UP ASSEMBLY	ASSEMBLY	1
7	10288	3/16" POP UP ROD	PART	1
8	30225	POPUP KNOB	PART	1



COPYRIGHT 2005 BRASSTECH, INC. THESE DRAWINGS AND THE DESIGNS DEPICTED HEREIN ARE THE PROPRIETARY PROPERTY OF BRASSTECH. ANY USE OR REPRODUCTION IS SUBJECT TO THE EXPRESS APPROVAL OF BRASSTECH. UNAUTHORIZED USE IS STRICTLY PROHIBITED. ALL RIGHTS RESERVED.

BRASSTECH
 INCORPORATED
 2001 E. CARNEGIE AVE.
 SANTA ANA, CA 92705
 (949) 417-5207

BOTTOM SPRAY BIDET, CROSS HANDLE

ASSY. NO.	1769		-	-	-
SCALE .150	REF. -	SHEET 1 OF 3	REV	REV DESC	DATE
				EO-0744	07/14/06

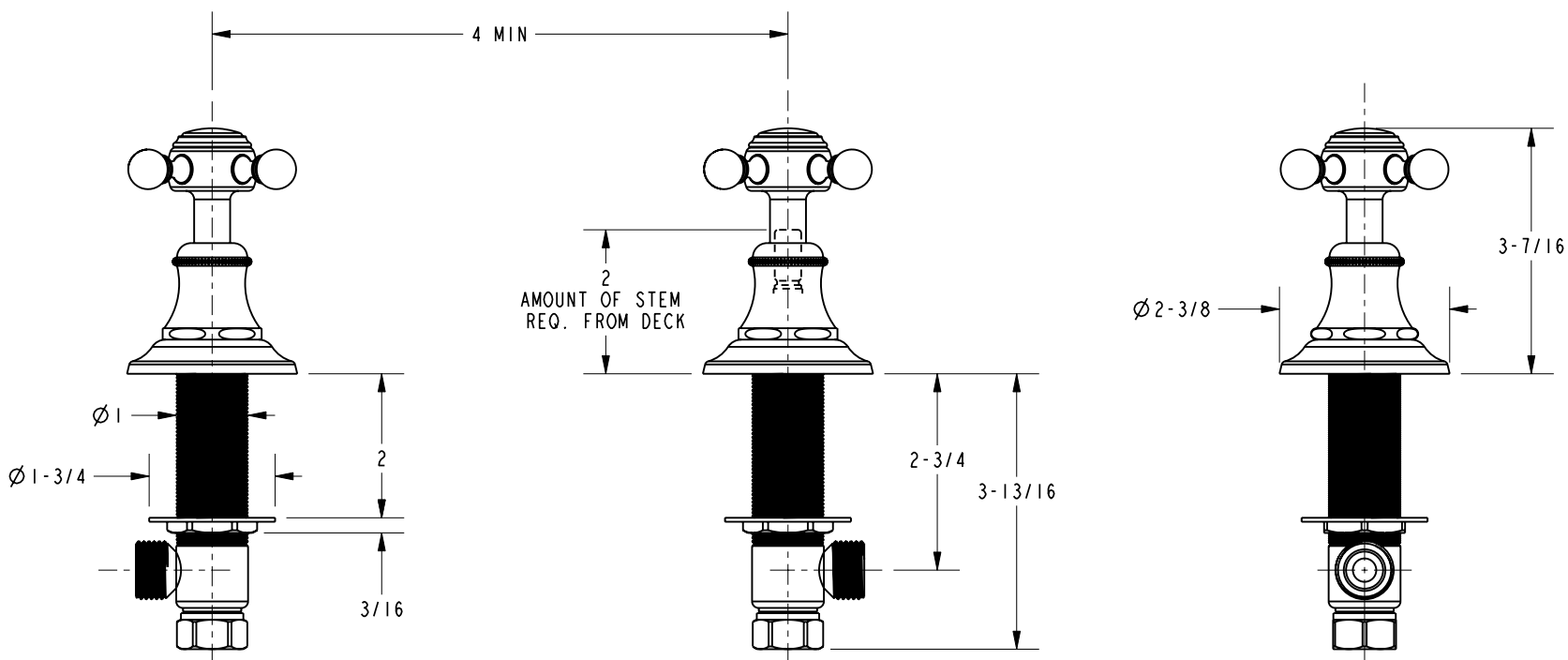
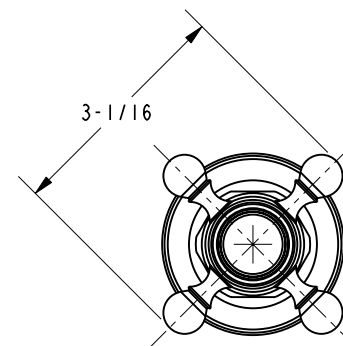
4

3

2

1

SPECIFICATION DWG



DIMENSIONS ARE IN INCHES AND AN APPROXIMATION OF A TYPICAL INSTALLATION

COPYRIGHT 2005 BRASSTECH, INC. THESE DRAWINGS AND THE DESIGNS DEPICTED HEREIN ARE THE PROPRIETARY PROPERTY OF BRASSTECH. ANY USE OR REPRODUCTION IS SUBJECT TO THE EXPRESS APPROVAL OF BRASSTECH. UNAUTHORIZED USE IS STRICTLY PROHIBITED. ALL RIGHTS RESERVED.

BRASSTECH		2001 E. CARNEGIE AVE.
INCORPORATED		SANTA ANA, CA 92705
		(949) 417-5207
DWG NO.	1769	REV -
SCALE .400	REF. -	SHEET 2 OF 3

