

4

3

2

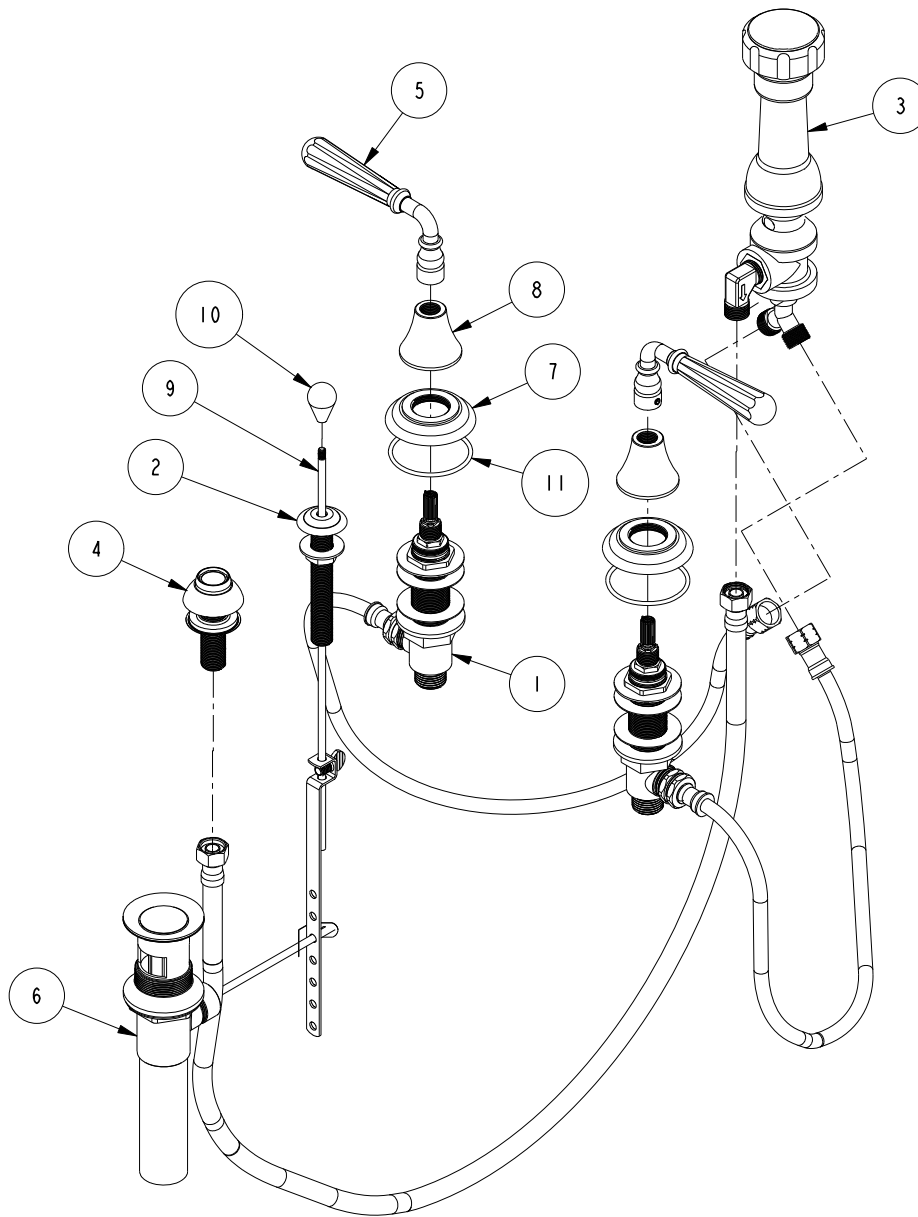
1

D

C

B

A



BILL OF MATERIAL (CURRENT LEVEL)

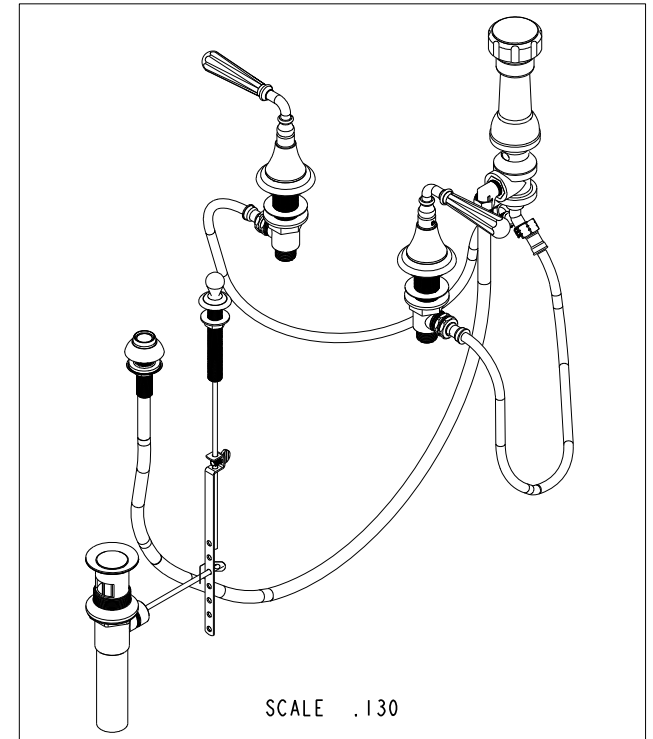
ITEM	PT/ASSY	DESCRIPTION	TYPE	QTY.
1	1-542	VALVE KIT - BIDET	ASSEMBLY	1
2	2-159	POP-UP ROD GUIDE ASSEMBLY	ASSEMBLY	1
3	2-235	BIDET DIVERTER / V. BRE	ASSEMBLY	1
4	2-236	DOUCHE SPRAY ASSEMBLY	ASSEMBLY	1
5	2-470	LEVER HANDLE ASM W/8 FLATS	ASSEMBLY	2
6	325	POP UP ASSEMBLY	ASSEMBLY	1
7	10048	ESCUTCHEON W/S VALVE	PART	2
8	10095	ESCUTCHEON, 900 SERIES	PART	2
9	10288	3/16" POP UP ROD	PART	1
10	11181	POP-UP KNOB	PART	1
11	91231	O-RING, #2-136, EPDM, 65-75 DURO	PART	2

D

C

B

A



SCALE .130

COPYRIGHT 2005 BRASSTECH, INC. THESE DRAWINGS AND THE DESIGNS DEPICTED HEREIN ARE THE PROPRIETARY PROPERTY OF BRASSTECH. ANY USE OR REPRODUCTION IS SUBJECT TO THE EXPRESS APPROVAL OF BRASSTECH. UNAUTHORIZED USE IS STRICTLY PROHIBITED. ALL RIGHTS RESERVED.

BRASSTECH
INCORPORATED

2001 E. CARNEGIE AVE.
SANTA ANA, CA 92705
(949) 417-5207

BOTTOM SPRAY BIDET

ASSY. NO.

1749

A

EN-2334

12/20/12

-

EO-0390A

03/07/06

SCALE .200

REF. -

SHEET 1 OF 3

REV

REV DESC

DATE

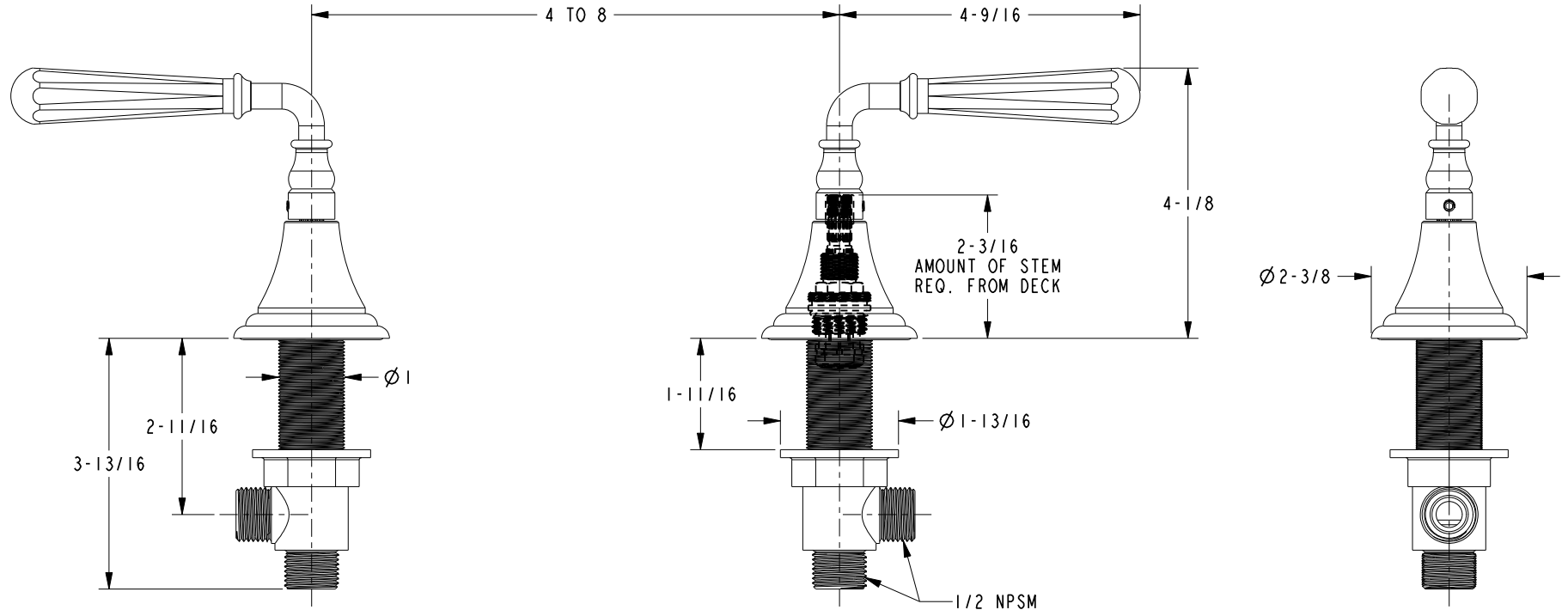
4

3

2

1

SPECIFICATION DWG

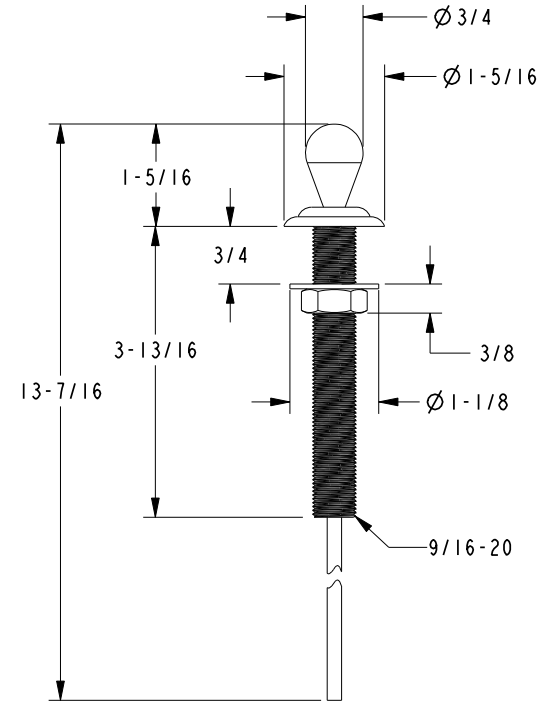
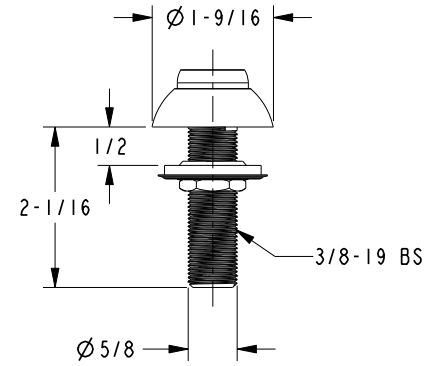
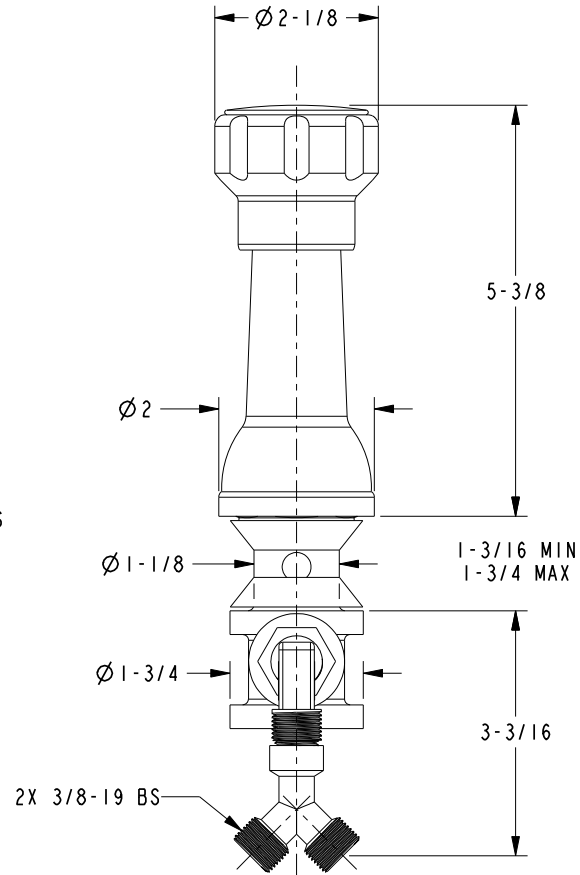
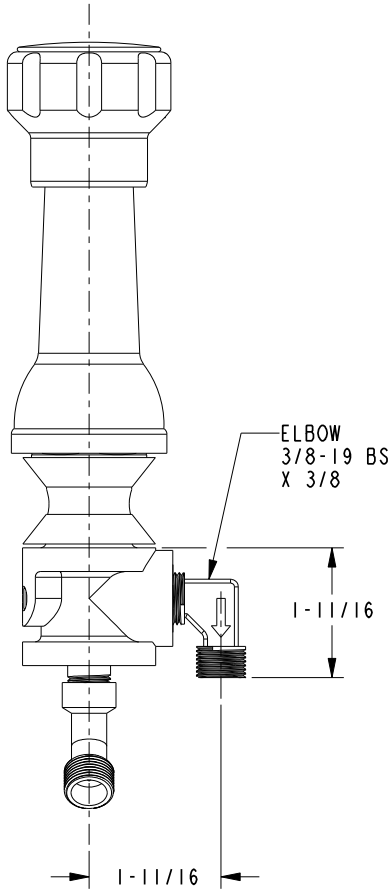


DIMENSIONS ARE IN INCHES AND AN APPROXIMATION OF A TYPICAL INSTALLATION

COPYRIGHT 2005 BRASSTECH, INC. THESE DRAWINGS AND THE DESIGNS DEPICTED HEREIN ARE THE PROPRIETARY PROPERTY OF BRASSTECH. ANY USE OR REPRODUCTION IS SUBJECT TO THE EXPRESS APPROVAL OF BRASSTECH. UNAUTHORIZED USE IS STRICTLY PROHIBITED. ALL RIGHTS RESERVED.

BRASSTECH		2001 CARNEGIE AVE. SANTA ANA, CA 92705 (949) 417-5207
DWG NO.	1749	REV A
SCALE .400	REF. -	SHEET 2 OF 3

SPECIFICATION DWG



DIMENSIONS ARE IN INCHES AND AN APPROXIMATION OF A TYPICAL INSTALLATION

COPYRIGHT 2005 BRASSTECH, INC. THESE DRAWINGS AND THE DESIGNS DEPICTED HEREIN ARE THE PROPRIETARY PROPERTY OF BRASSTECH. ANY USE OR REPRODUCTION IS SUBJECT TO THE EXPRESS APPROVAL OF BRASSTECH. UNAUTHORIZED USE IS STRICTLY PROHIBITED. ALL RIGHTS RESERVED.

BRASSTECH		2001 CARNEGIE AVE. SANTA ANA, CA 92705 (949) 417-5207	
DWG NO.	1749	REV	A
SCALE	.400	REF.	-
SHEET 3		OF 3	