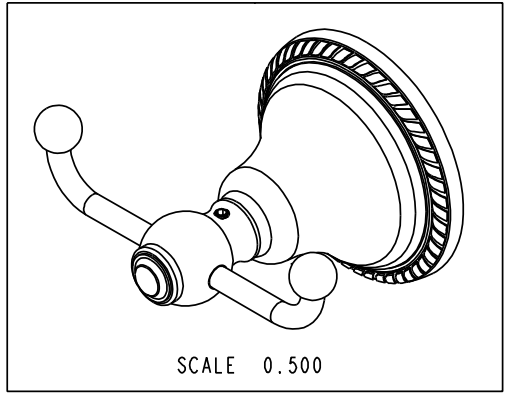
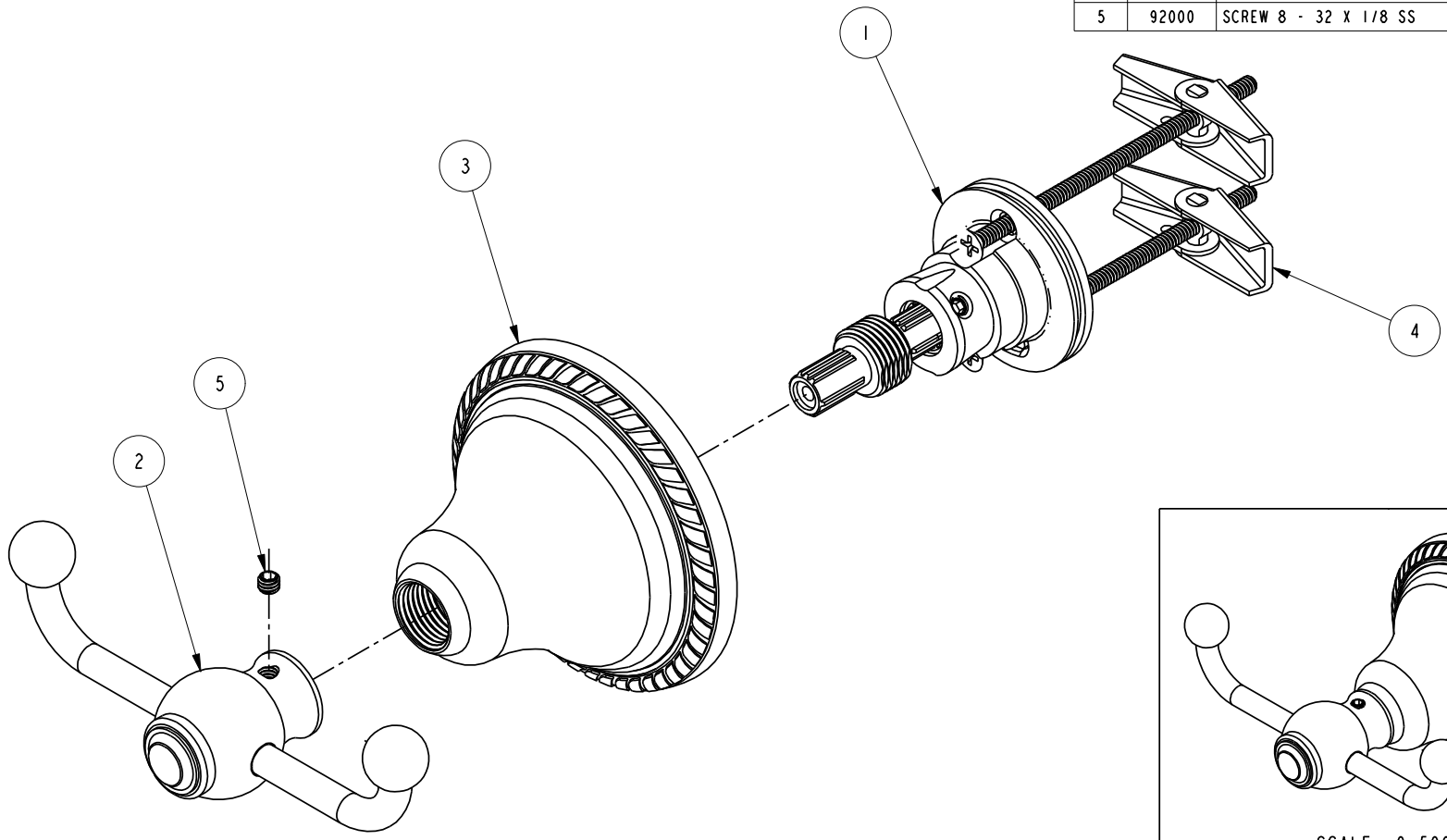


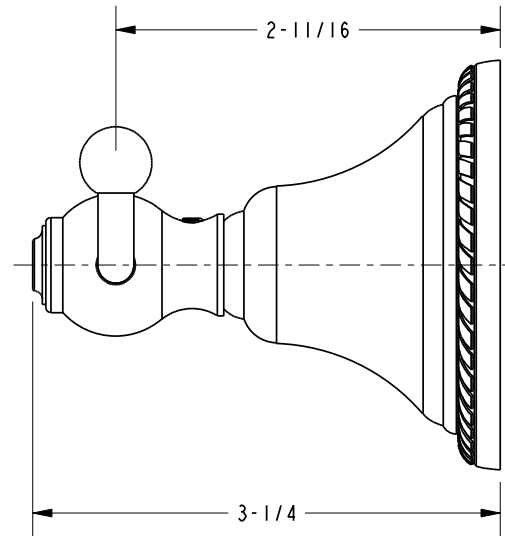
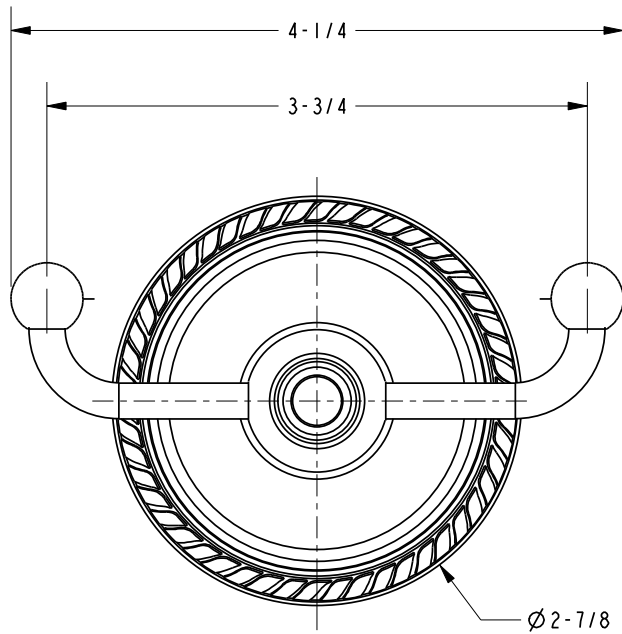
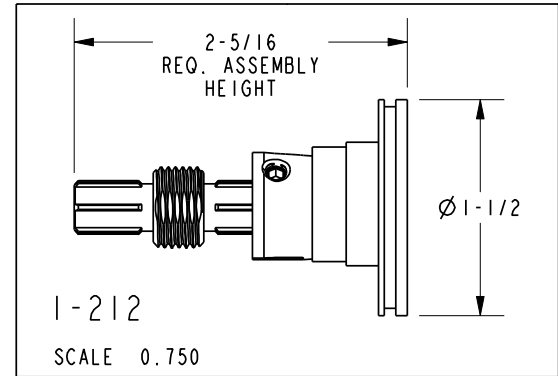
BILL OF MATERIAL (CURRENT LEVEL)				
ITEM	PT/ASSY	DESCRIPTION	TYPE	QTY.
1	1-212	ACCESSORY MTG KIT	ASSEMBLY	1
2	7-561	DOUBLE GARMENT HOOK POST ASSY	ASSEMBLY	1
3	2-183	ESCUTCHEON ASM	ASSEMBLY	1
4	1-125	HARDWARE KIT	ASSEMBLY	1
5	92000	SCREW 8 - 32 X 1/8 SS	PART	1



COPYRIGHT 2005 BRASSTECH, INC. THESE DRAWINGS AND THE DESIGNS DEPICTED HEREIN ARE THE PROPRIETARY PROPERTY OF BRASSTECH. ANY USE OR REPRODUCTION IS SUBJECT TO THE EXPRESS APPROVAL OF BRASSTECH. UNAUTHORIZED USE IS STRICTLY PROHIBITED. ALL RIGHTS RESERVED.

<b>BRASSTECH</b> INCORPORATED <small>2001 E. CARNEGIE AVE.          SANTA ANA, CA 92705          (949) 417-5207</small>	DOUBLE GARMENT HOOK, ASM T6	ASSY. NO. 15-13		A	EN-1241a	09/14/09
		SCALE NONE	REF. -	SHEET 1 OF 2	REV	REV DESC

**SPECIFICATION DWG**



DIMENSIONS ARE IN INCHES AND AN APPROXIMATION OF A TYPICAL INSTALLATION

COPYRIGHT 2005 BRASSTECH, INC. THESE DRAWINGS AND THE DESIGNS DEPICTED HEREIN ARE THE PROPRIETARY PROPERTY OF BRASSTECH. ANY USE OR REPRODUCTION IS SUBJECT TO THE EXPRESS APPROVAL OF BRASSTECH. UNAUTHORIZED USE IS STRICTLY PROHIBITED. ALL RIGHTS RESERVED.

<b>BRASSTECH</b>		2001 E. CARNEGIE AVE. SANTA ANA, CA 92705 (949) 417-5207	
DWG NO.	15-13	REV	A
SCALE	0.750	REF.	-
		SHEET	2 OF 2