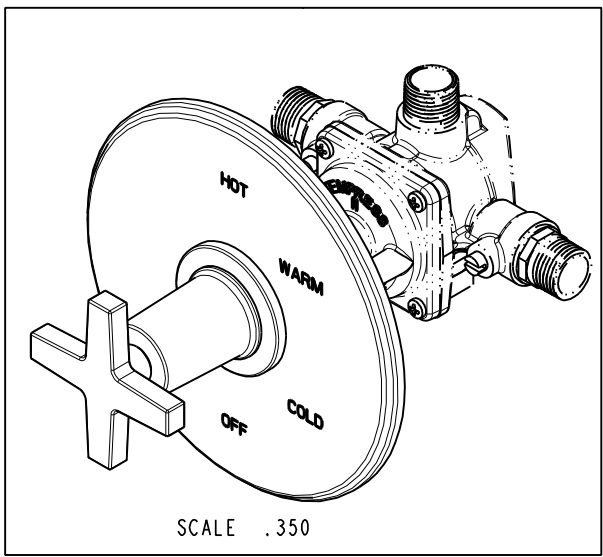


PN: 1-594  
SOLD SEPARATELY

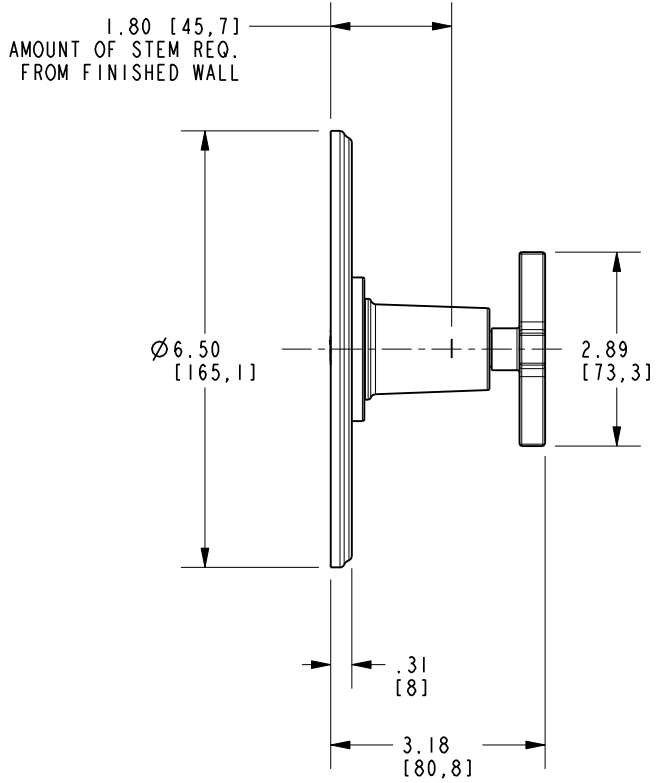
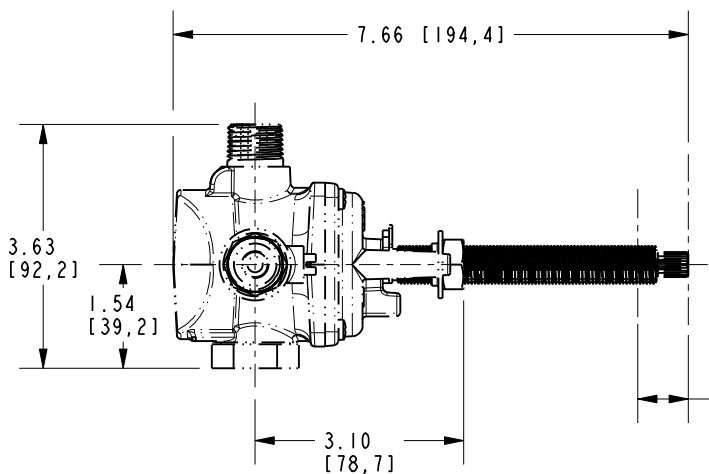
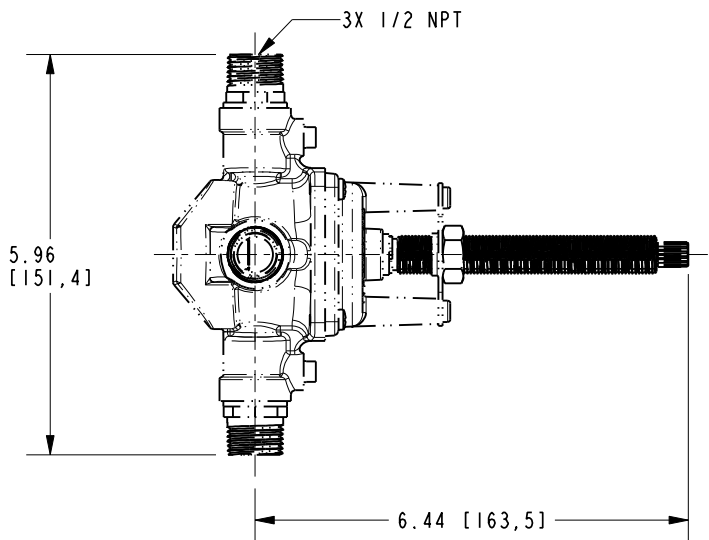


SCALE .350

<b>BRASSTECH</b>		2001 E. CARNEGIE AVE.	
INCORPORATED		SANTA ANA, CA 92705	
DWG NO.		REV	
4-2984BP		-	
SCALE .500	REF. -	SHEET 2 OF 3	

NOTES:

1. CUT ALL-THREAD .75" SHORTER THAN STEM.



<b>BRASSTECH</b>		2001 E. CARNEGIE AVE.	
INCORPORATED		SANTA ANA, CA 92705	
INCORPORATED		(949) 417-5207	
DWG NO.	4-2984BP		REV
SCALE .350	REF. -	SHEET 3	OF 3