

BILL OF MATERIAL (CURRENT LEVEL)

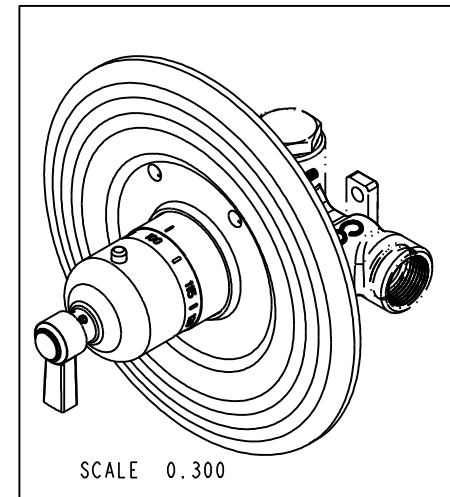
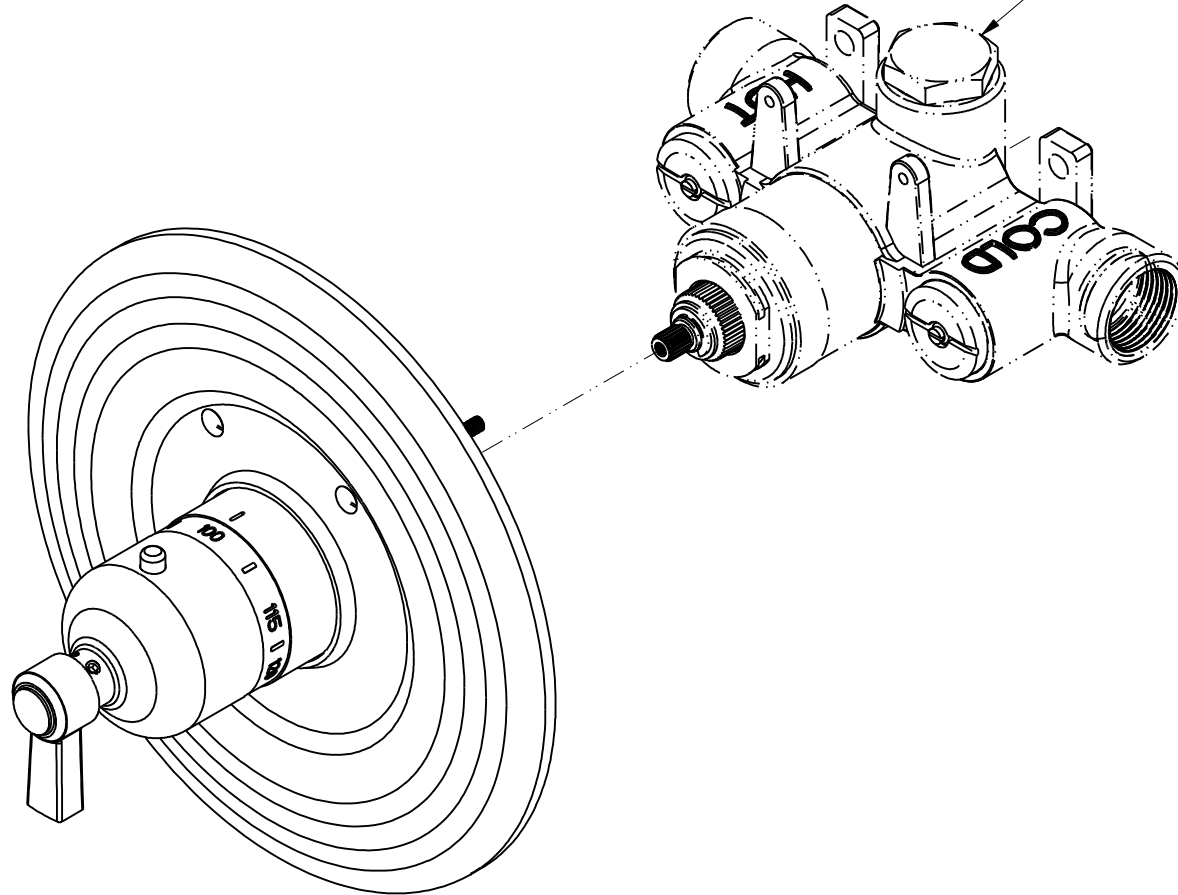
ITEM	PT/ASSY	DESCRIPTION	TYPE	QTY.
1	2-337	THERMO ROUND PLATE ASSEMBLY	ASSEMBLY	1
2	11029	SLEEVE - THERMO	PART	1
3	2-336	THERMO BONNET ASM-TRAD.	ASSEMBLY	1
4	92113	SCRW, M4 X .7 X 40 PHL FLT HD SS	PART	1
5	91308	TEMP LIMIT STOP - THERMO	PART	1
6	2-442	LEVER HANDLE ASM	ASSEMBLY	1

COPYRIGHT 2005 BRASSTECH, INC. THESE DRAWINGS AND THE DESIGNS DEPICTED HEREIN ARE THE PROPRIETARY PROPERTY OF BRASSTECH. ANY USE OR REPRODUCTION IS SUBJECT TO THE EXPRESS APPROVAL OF BRASSTECH. UNAUTHORIZED USE IS STRICTLY PROHIBITED. ALL RIGHTS RESERVED.

BRASSTECH INCORPORATED <small>2001 CARNEGIE AVE. SANTA ANA, CA 92705 (949) 417-5207</small>	<h2>ROUND TRIM THERMO</h2>	ASSY. NO.	3-914TR		
		SCALE 0.350	REF. -	SHEET 1 OF 3	REV

SPECIFICATION DWG

PN : 1-540
SOLD SEPARATELY



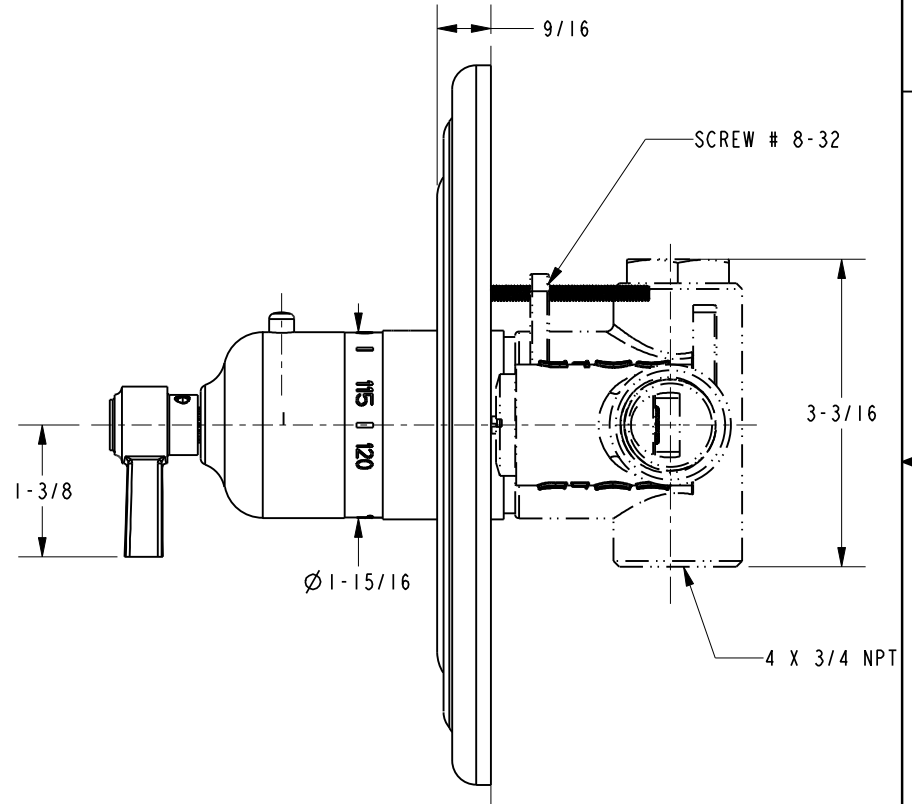
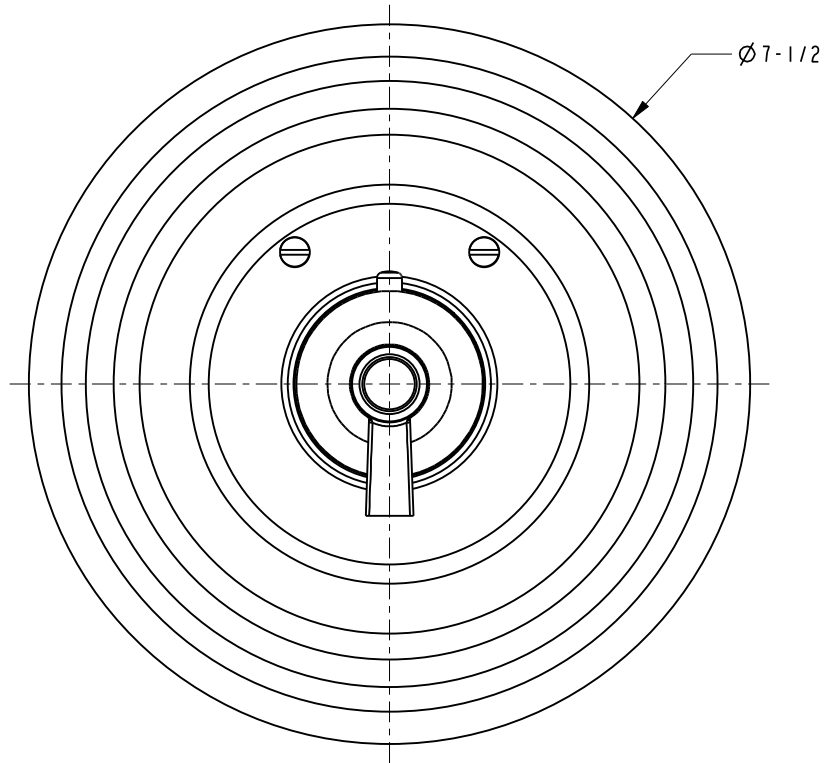
SCALE 0.300

DIMENSIONS ARE IN INCHES AND AN APPROXIMATION OF A TYPICAL INSTALLATION

COPYRIGHT 2005 BRASSTECH, INC. THESE DRAWINGS AND THE DESIGNS DEPICTED HEREIN ARE THE PROPRIETARY PROPERTY OF BRASSTECH. ANY USE OR REPRODUCTION IS SUBJECT TO THE EXPRESS APPROVAL OF BRASSTECH. UNAUTHORIZED USE IS STRICTLY PROHIBITED. ALL RIGHTS RESERVED.

BRASSTECH		2001 CARNEGIE AVE. SANTA ANA, CA 92705 (949) 417-5207	
INCORPORATED			
DWG NO.	3-914TR		REV -
SCALE 0.500	REF. -	SHEET 2 OF 3	

SPECIFICATION DWG



DIMENSIONS ARE IN INCHES AND AN APPROXIMATION OF A TYPICAL INSTALLATION

COPYRIGHT 2005 BRASSTECH, INC. THESE DRAWINGS AND THE DESIGNS DEPICTED HEREIN ARE THE PROPRIETARY PROPERTY OF BRASSTECH. ANY USE OR REPRODUCTION IS SUBJECT TO THE EXPRESS APPROVAL OF BRASSTECH. UNAUTHORIZED USE IS STRICTLY PROHIBITED. ALL RIGHTS RESERVED.

BRASSTECH		<small>2001 CARNEGIE AVE. SANTA ANA, CA 92705 (949) 417-5207</small>	
<small>DWG NO.</small>	3-914TR	<small>REV</small>	-
<small>SCALE</small>	0.500	<small>REF.</small>	-
<small>SHEET</small>		3	<small>OF</small>
		3	