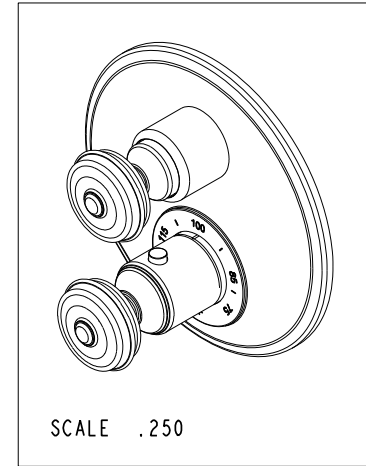
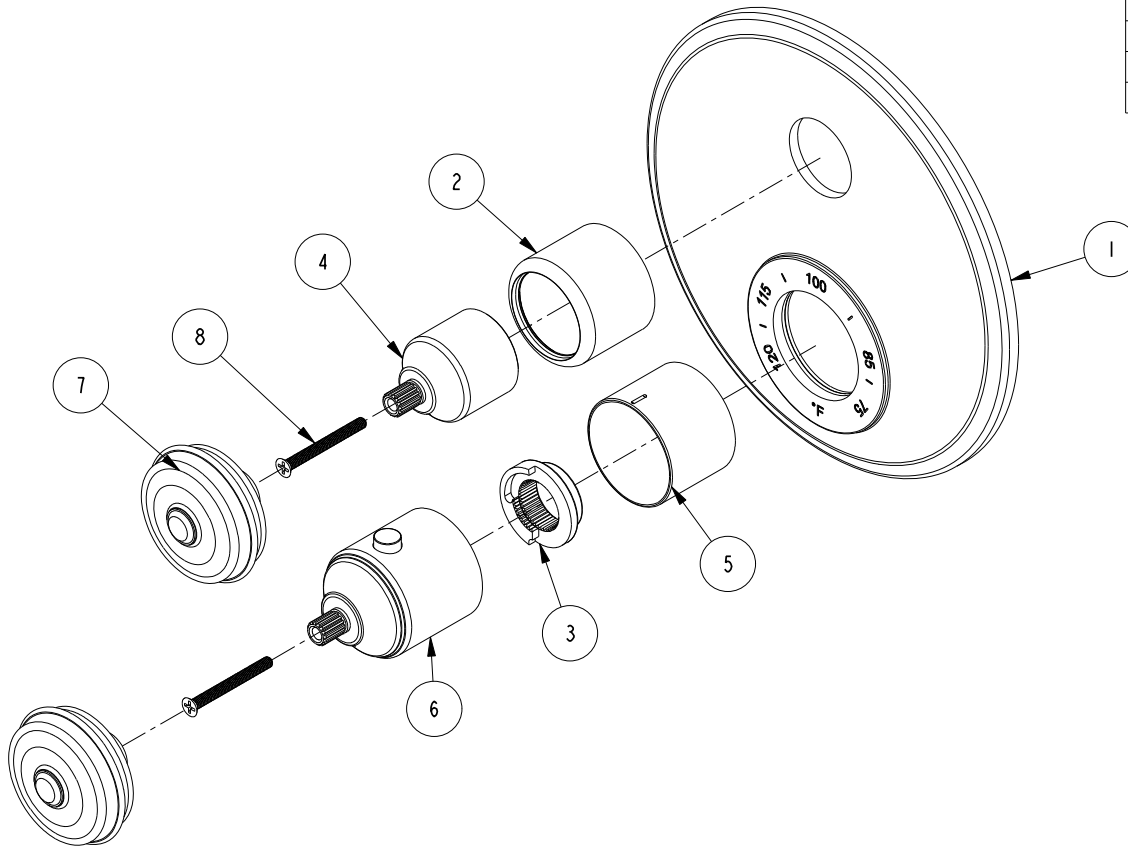


NOTES:

(NI) 1. FIT / FORM / FUNCTION SHALL FOLLOW PS-E.008.

BILL OF MATERIAL (CURRENT LEVEL)

ITEM	PT/ASSY	DESCRIPTION	TYPE	QTY.
1	2-994	TUB AND SHOWER PLATE ASM	ASSEMBLY	1
2	2-989	COLLAR ASM	ASSEMBLY	1
3	91308	TEMP LIMIT STOP - THERMO	PART	1
4	12344	HANDLE BONNET	PART	1
5	12345	SLEEVE - THERMO	PART	1
6	2-991	THERMO BONNET ASM	ASSEMBLY	1
7	2-261	THERMO HDL ASM - TRAD	ASSEMBLY	2
8	92113	SCRW, M4 X .7 X 40 PHL FLT HD SS	PART	2



TESTING	-	-	-	UNITS ARE: INCHES [MM]
ASSEMBLY	-	-	-	TOLERANCES ARE:
PLATING	-	-	-	FRACTIONS DECIMALS ANGLES
POLISHING	-	-	-	±1/16" .X ±.1 [2.5] ±1°
MACHINING	-	NEXT ASSY	USED ON	.XX ±.06 [1.5]
TOOLING FIXTURE #	REMOVE ALL BURRS AND SHARP EDGES			(X.XXX) DENOTES CRITICAL DIMS. ALL THREADS ARE CRITICAL

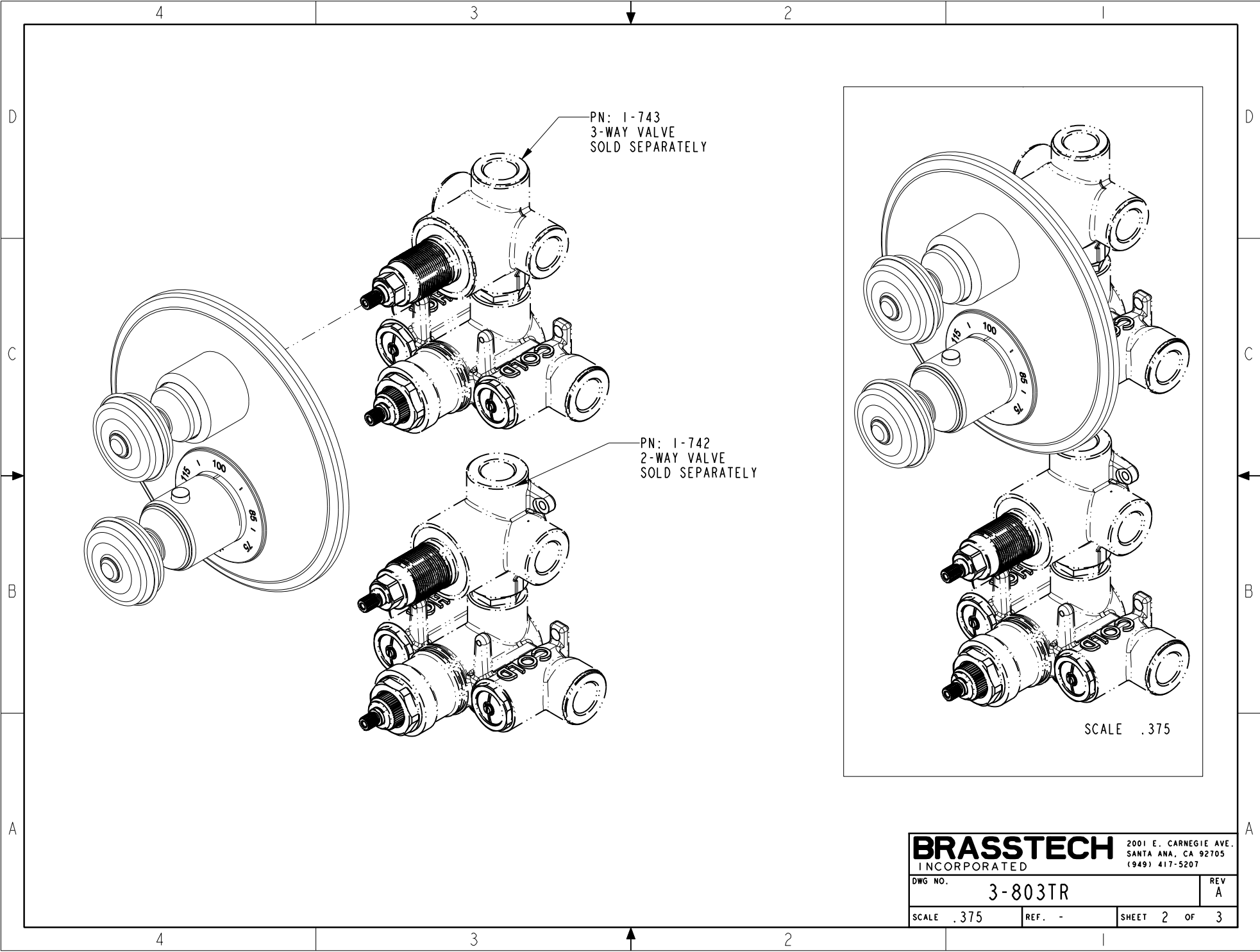
BRASSTECH 2001 CARNEGIE AVE.
INCORPORATED SANTA ANA, CA 92705
(949) 417-5207

THERMO TUB / SHOWER

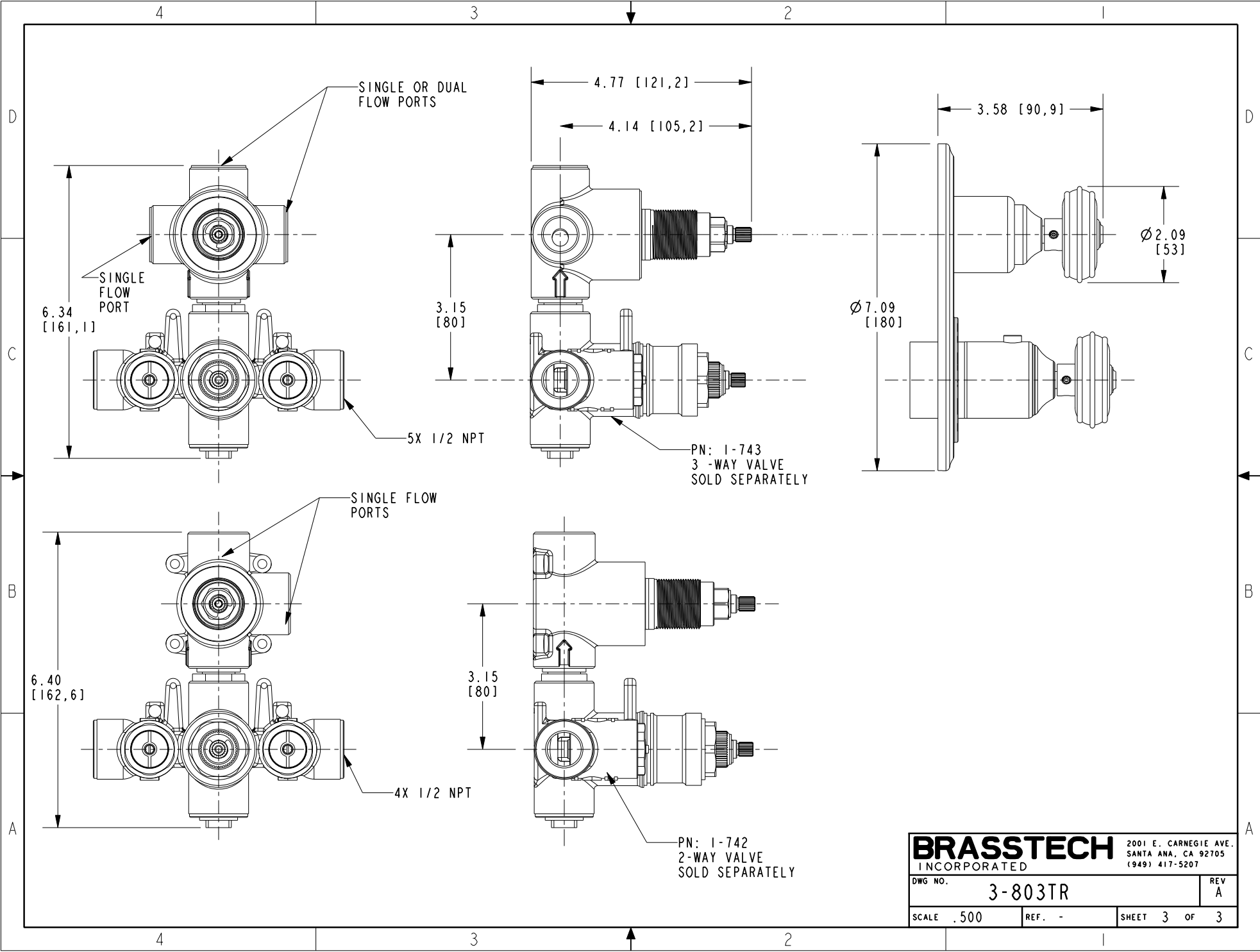
-	A	EN-2775h	11/20/15	J.M.
-	-	EN-2775f	08/20/15	J.M.
ZONE	REV	DESCRIPTION	DATE	APPROVED

COPYRIGHT 2005 BRASSTECH, INC.
THESE DRAWINGS AND THE DESIGNS
DEPICTED HEREIN ARE THE PROPRIETARY
PROPERTY OF BRASSTECH. ANY USE
OR REPRODUCTION IS SUBJECT TO
THE EXPRESS APPROVAL OF BRASSTECH.
UNAUTHORIZED USE IS STRICTLY
PROHIBITED. ALL RIGHTS RESERVED.

DWG NO.	3-803TR	REV	A
SCALE	.375	REF.	-
SHEET	1	OF	3



BRASSTECH		2001 E. CARNEGIE AVE. SANTA ANA, CA 92705 (949) 417-5207	
INCORPORATED			
DWG NO.	3-803TR		REV A
SCALE .375	REF. -	SHEET 2 OF 3	



BRASSTECH		2001 E. CARNEGIE AVE.
INCORPORATED		SANTA ANA, CA 92705
		(949) 417-5207
DWG NO.	3-803TR	REV A
SCALE .500	REF. -	SHEET 3 OF 3