

4

3

2

1

BILL OF MATERIAL (CURRENT LEVEL)

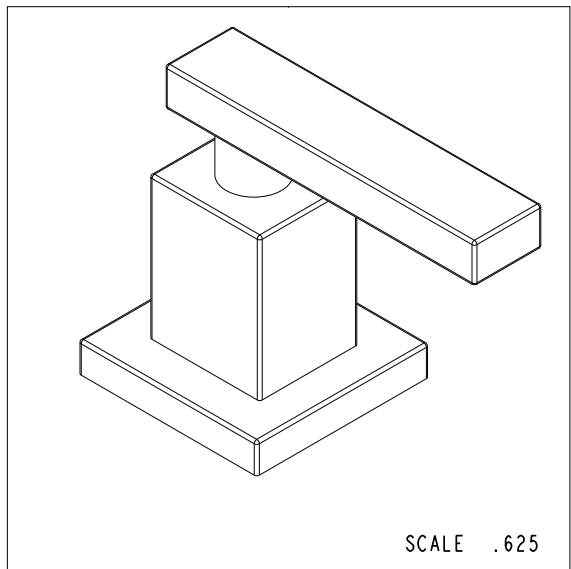
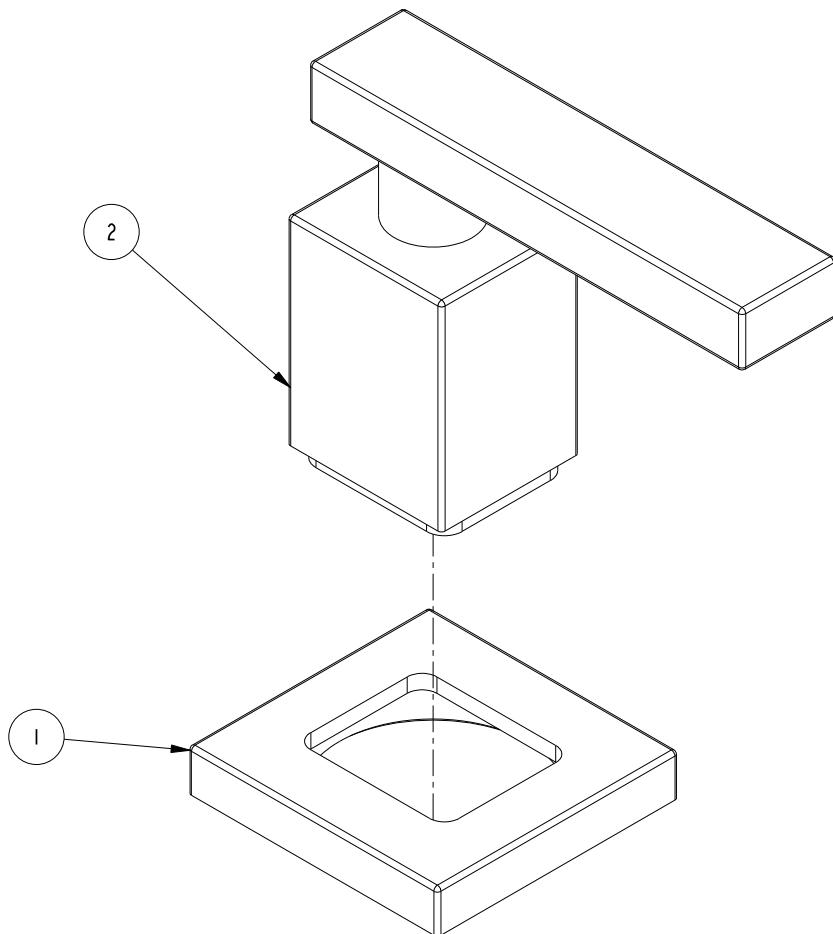
ITEM	PT/ASSY	DESCRIPTION	TYPE	QTY.
1	2-936	HANDLE ESCUTCHEON ASM	ASSEMBLY	1
2	2-612	HANDLE ASSEMBLY	ASSEMBLY	1

D

C

B

A



D

C

B

A

COPYRIGHT 2005 BRASSTECH, INC. THESE DRAWINGS AND THE DESIGNS DEPICTED HEREIN ARE THE PROPRIETARY PROPERTY OF BRASSTECH. ANY USE OR REPRODUCTION IS SUBJECT TO THE EXPRESS APPROVAL OF BRASSTECH. UNAUTHORIZED USE IS STRICTLY PROHIBITED. ALL RIGHTS RESERVED.

BRASSTECH
 INCORPORATED
 2001 E. CARNEGIE AVE.
 SANTA ANA, CA 92705
 (949) 417-5207

HANDLE AND ESCUTCHEON ASSEMBLY

ASSY. NO.	3-368		
SCALE	.875	REF.	-
SHEET	1	OF	2
REV	REV DESC	DATE	

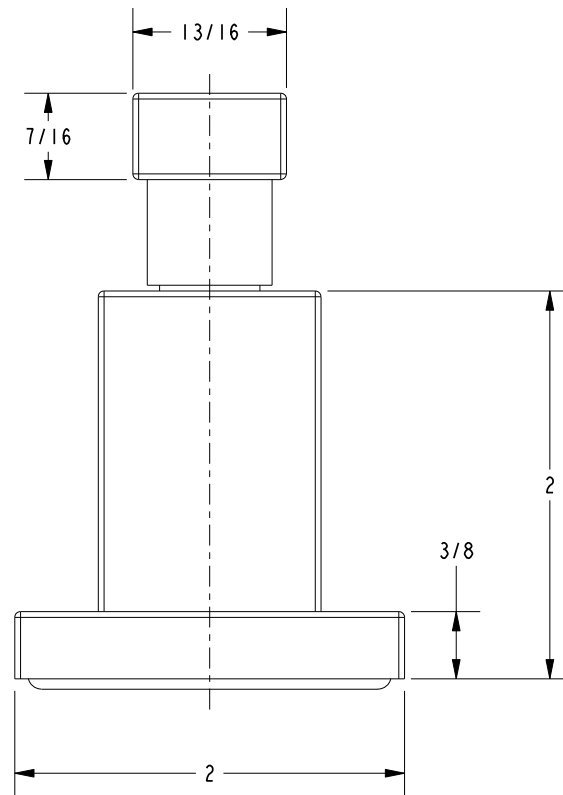
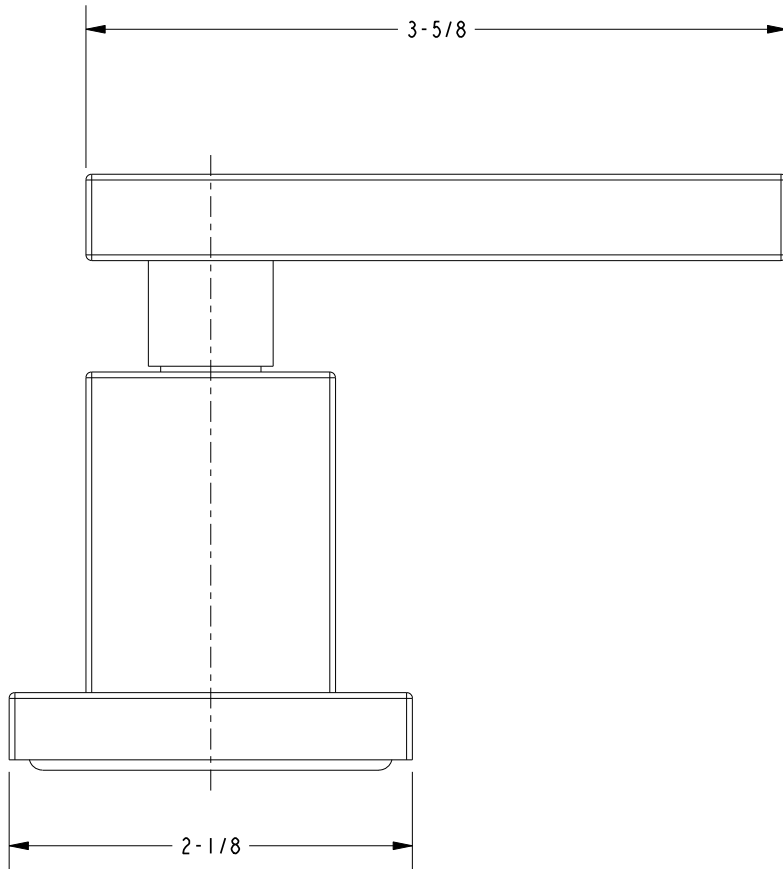
4

3

2

1

SPECIFICATION DWG



DIMENSIONS ARE IN INCHES AND AN APPROXIMATION OF A TYPICAL INSTALLATION

COPYRIGHT 2005 BRASSTECH, INC. THESE DRAWINGS AND THE DESIGNS DEPICTED HEREIN ARE THE PROPRIETARY PROPERTY OF BRASSTECH. ANY USE OR REPRODUCTION IS SUBJECT TO THE EXPRESS APPROVAL OF BRASSTECH. UNAUTHORIZED USE IS STRICTLY PROHIBITED. ALL RIGHTS RESERVED.

BRASSTECH		2001 CARNEGIE AVE. SANTA ANA, CA 92705 (949) 417-5207	
INCORPORATED			
DWG NO.	3-368	REF.	REV C
SCALE	1.000	REF.	-
		SHEET	2 OF 2