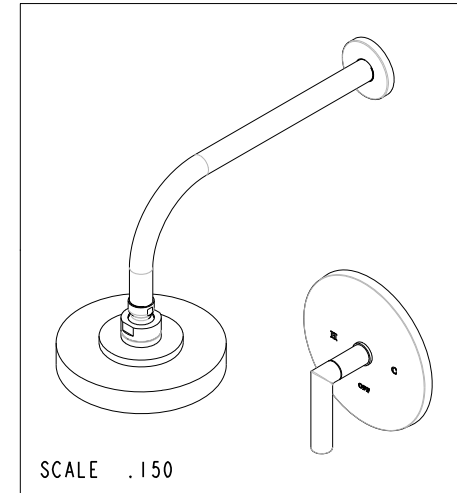
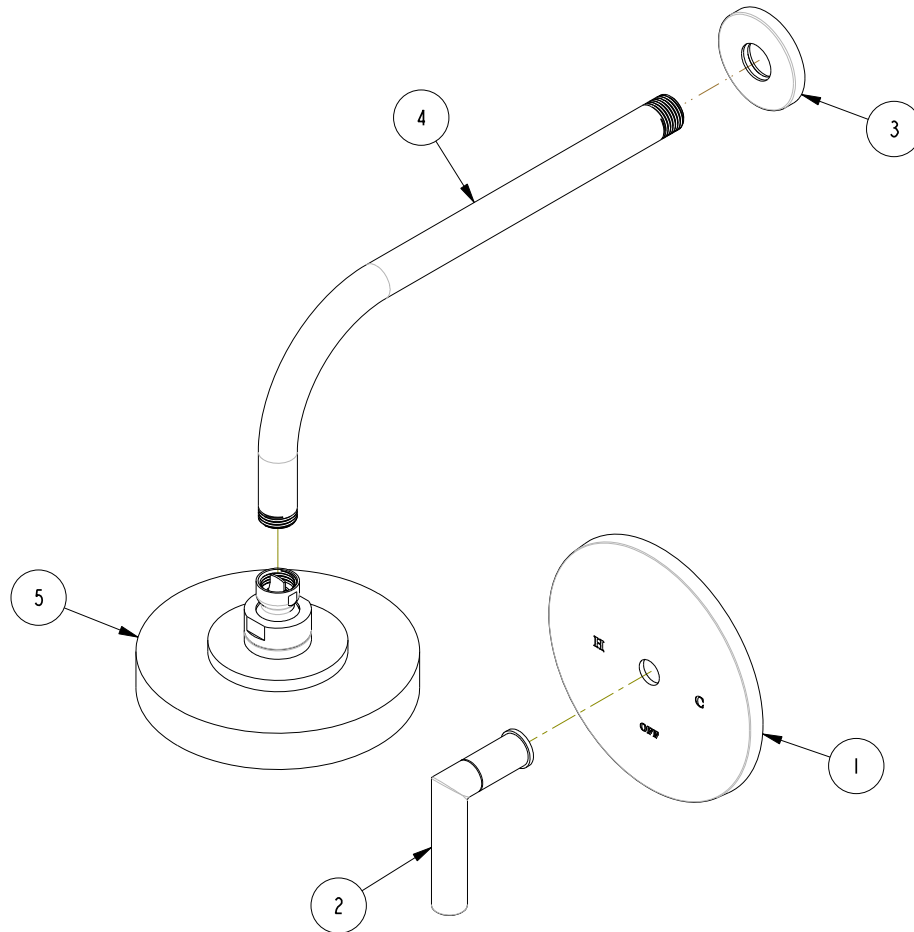


NOTES:

(NI) 1. FIT / FORM / FUNCTION SHALL FOLLOW PS-E.008.

BILL OF MATERIAL (CURRENT LEVEL)

ITEM	PT/ASSY	DESCRIPTION	TYPE	QTY.
1	2-771	TUB AND SHOWER PLATE ASM	ASSEMBLY	1
2	20-107	HANDLE ASM	ASSEMBLY	1
3	206-1	SHOWER - ESCUTCHEON ASM	ASSEMBLY	1
4	50823	90° 12" SHWR ARM	PART	1
5	2141	CONTEMP. SHOWER HEAD - SINGLE JET	ASSEMBLY	1



ZONE	REV	DESCRIPTION	DATE	APPROVED
-	A	EN-3254	02/02/17	AN
-	-	EN-3032d	07/13/16	AN

COPYRIGHT 2005 BRASSTECH, INC. THESE DRAWINGS AND THE DESIGNS DEPICTED HEREIN ARE THE PROPRIETARY PROPERTY OF BRASSTECH. ANY USE OR REPRODUCTION IS SUBJECT TO THE EXPRESS APPROVAL OF BRASSTECH. UNAUTHORIZED USE IS STRICTLY PROHIBITED. ALL RIGHTS RESERVED.

TESTING	-	-	-
ASSEMBLY	-	-	-
PLATING	-	-	-
POLISHING	-	NEXT ASSY	USED ON
MACHINING	-	APPLICATION	
TOOLING FIXTURE #	REMOVE ALL BURRS AND SHARP EDGES		

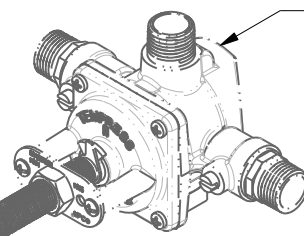
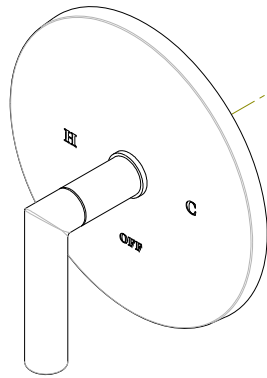
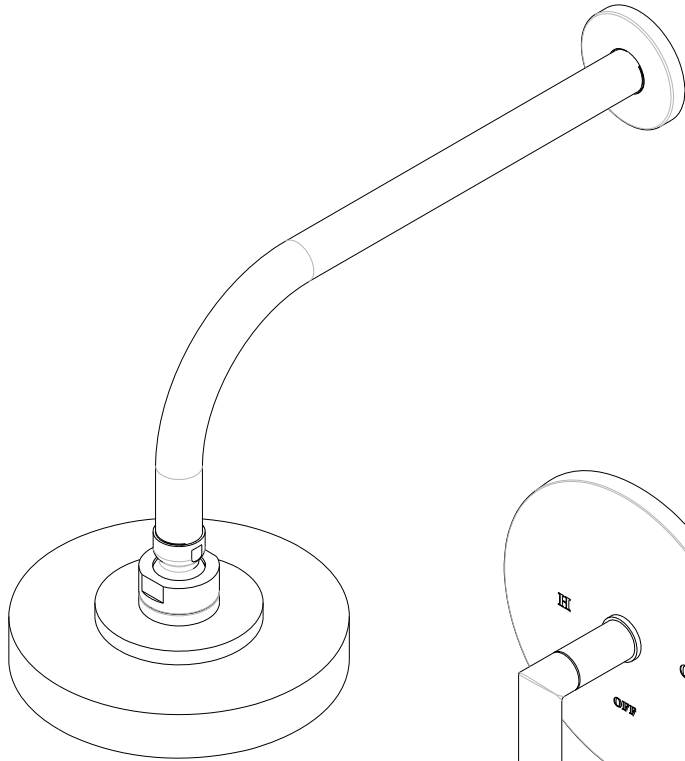
UNITS ARE: INCHES [MM]	
TOLERANCES ARE:	
FRACTIONS	DECIMALS
±1/16"	.X ±.1 (2.5)
	.XX ±.06 (1.5)
ANGLES ±1°	
(X.XXX) DENOTES CRITICAL DIMS.	
ALL THREADS ARE CRITICAL	
DRAWN	AN 07/13/16
CHECKED	AN 07/13/16
APPROVED	AN 07/13/16

BRASSTECH 2001 CARNEGIE AVE.
INCORPORATED SANTA ANA, CA 92705
(949) 417-5207

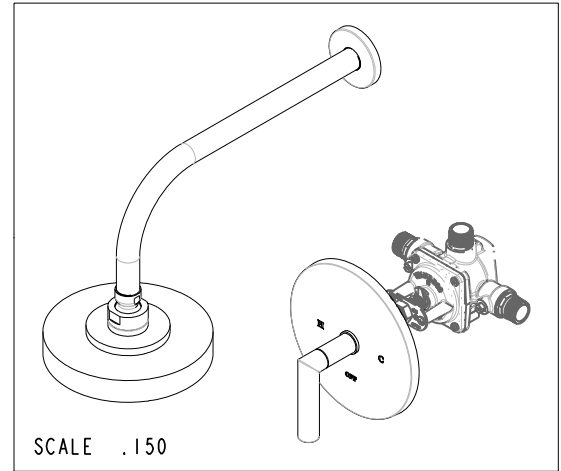
BP SHOWER TRIM SET

DWG NO. **3-3104BP** REV **A**

SCALE .250 REF. - SHEET 1 OF 3



PN: 1-594
SOLD SEPARATELY

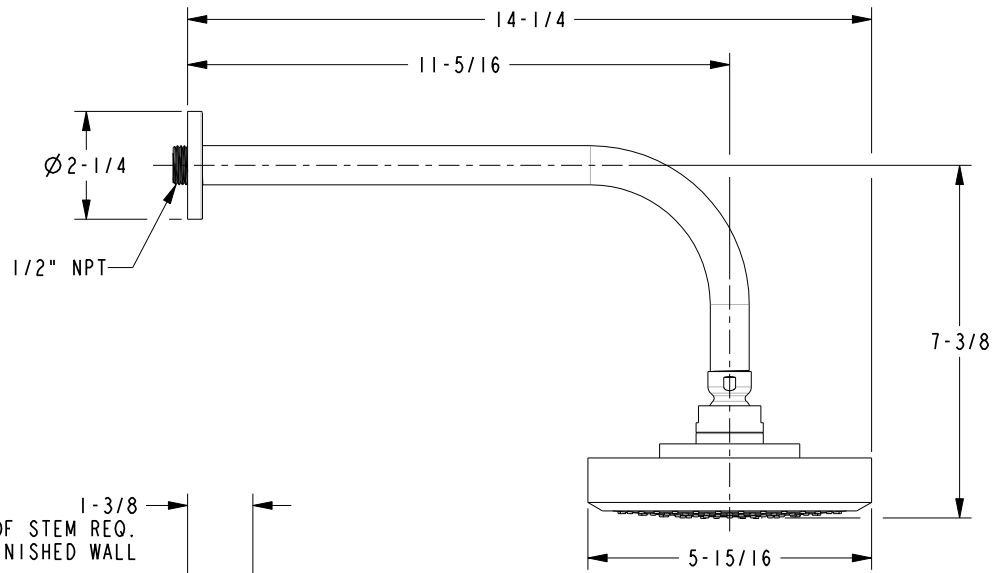
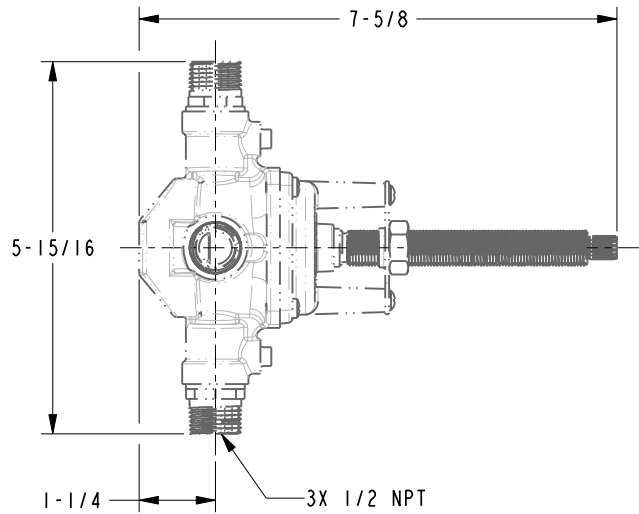


BRASSTECH 2001 E. CARNEGIE AVE.
INCORPORATED SANTA ANA, CA 92705
(949) 417-5207

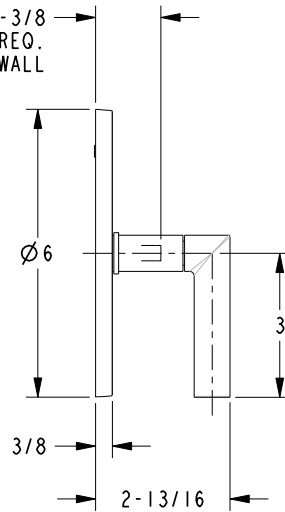
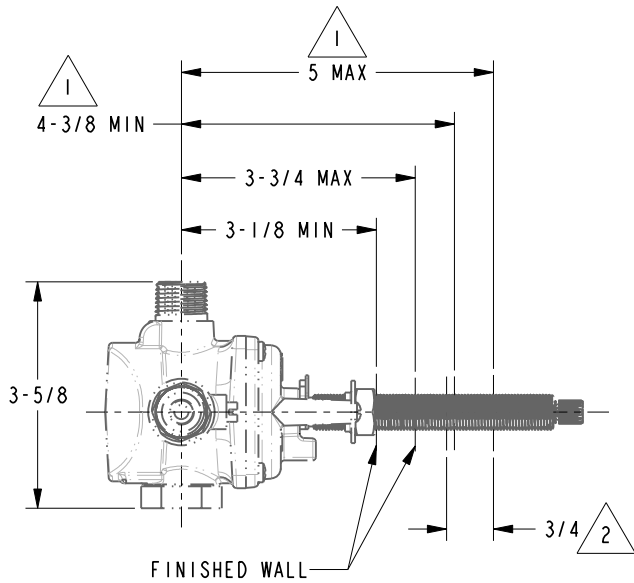
DWG NO.	3-3104BP	REV	A
SCALE	.300	REF.	-
SHEET 2		OF 3	

NOTES:

- 1. CUT STEM TO DIMENSION SHOWN.
- 2. CUT ALL-THREAD 3/4" SHORTER THAN STEM.



1-3/8
AMOUNT OF STEM REQ.
FROM FINISHED WALL



BRASSTECH		2001 E. CARNEGIE AVE. SANTA ANA, CA 92705 (949) 417-5207	
DWG NO.	3-3104BP		REV A
SCALE .250	REF. -	SHEET 3 OF 3	