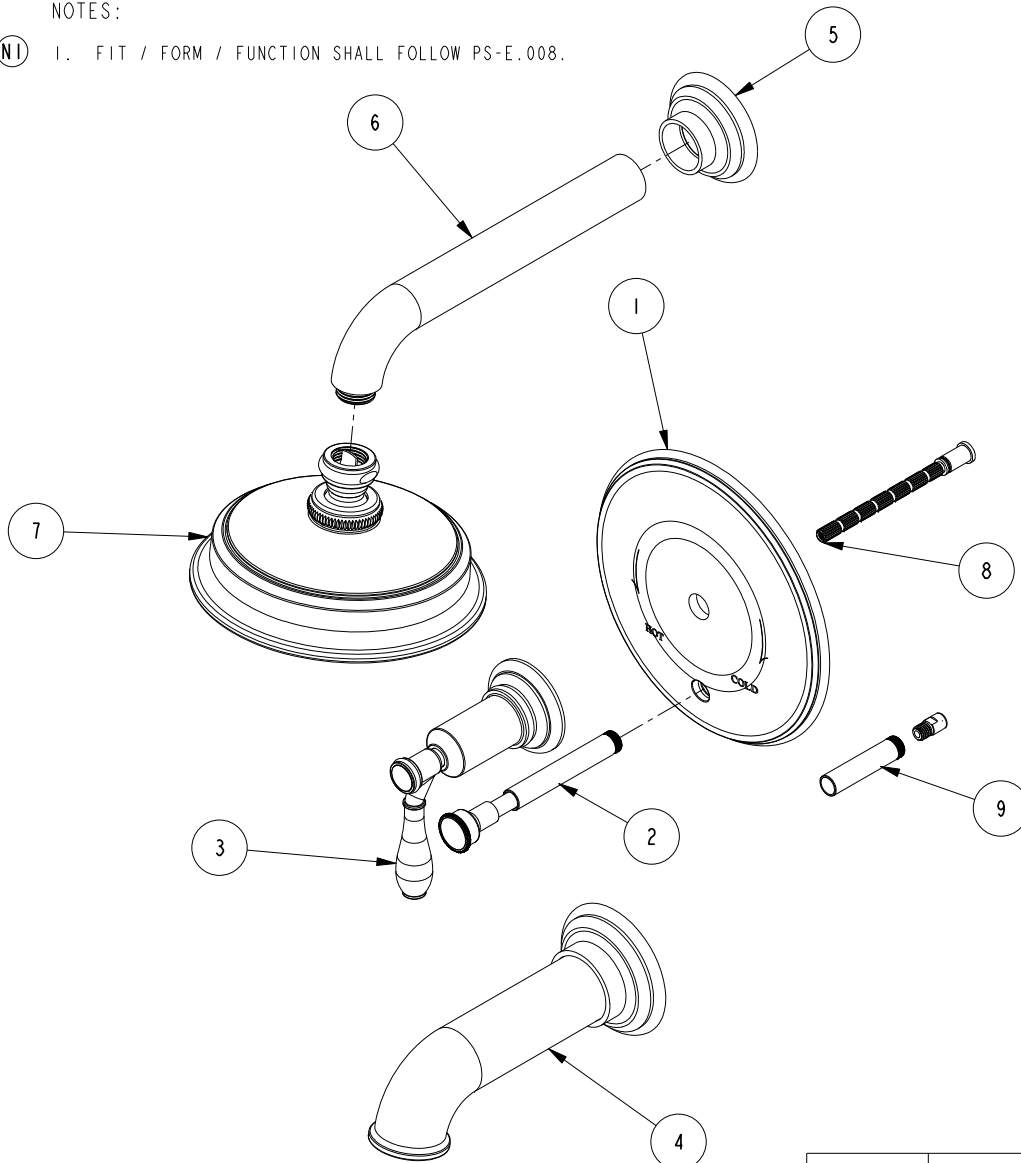


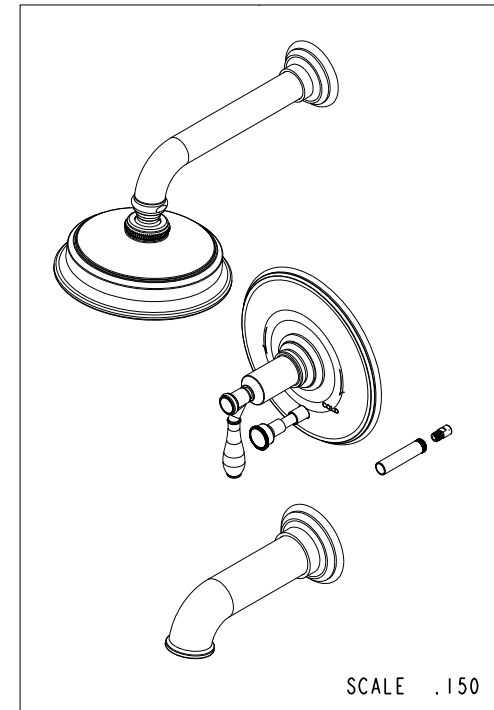
NOTES:

(NI) 1. FIT / FORM / FUNCTION SHALL FOLLOW PS-E.008.



BILL OF MATERIAL (CURRENT LEVEL)

ITEM	PT/ASSY	DESCRIPTION	TYPE	QTY.
1	8-092	TUB AND SHOWER PLATE ASM	ASSEMBLY	1
2	8-091	DIVERTER TRIM ASM	ASSEMBLY	1
3	3-426	FLOW CONTROL HANDLE	ASSEMBLY	1
4	3-427	TUB SPOUT ASM	ASSEMBLY	1
5	8-072	ESCUTCHEON ASM	ASSEMBLY	1
6	8-073	SHOWER ARM ASM	ASSEMBLY	1
7	2142	TRAD. SHOWER HEAD - SINGLE JET	ASSEMBLY	1
8	1-255	TOOTH STEM & RING KIT FOR BP VALVE	ASSEMBLY	1
9	2-894	DIVERTER TRIM KIT (SHORT)	ASSEMBLY	1



TESTING	-	-	-
ASSEMBLY	-	-	-
PLATING	-	-	-
POLISHING	-	NEXT ASSY	USED ON
MACHINING	-	APPLICATION	
TOOLING FIXTURE #	REMOVE ALL BURRS AND SHARP EDGES		

UNITS ARE: INCHES [MM]
 TOLERANCES ARE:
 FRACTIONS DECIMALS ANGLES
 $\pm 1/16"$ $.X \pm .1$ [2,5] $\pm 1^\circ$
 $.XX \pm .06$ [1,3]

(X.XXX) DENOTES CRITICAL DIMS.
 ALL THREADS ARE CRITICAL

BRASSTECH 2001 CARNEGIE AVE.
 INCORPORATED SANTA ANA, CA 92705
 (949) 417-5207

BALANCED PRESSURE TUB & SHOWER TRIM SET

DWG NO. **3-2552BP** REV D

SCALE .250 REF. - SHEET 1 OF 4

-	D	EN-3073	06/09/16	J.M.	COPYRIGHT 2005 BRASSTECH, INC. THESE DRAWINGS AND THE DESIGNS DEPICTED HEREIN ARE THE PROPRIETARY PROPERTY OF BRASSTECH. ANY USE OR REPRODUCTION IS SUBJECT TO THE EXPRESS APPROVAL OF BRASSTECH. UNAUTHORIZED USE IS STRICTLY PROHIBITED. ALL RIGHTS RESERVED.
-	C	EN-2452	02/07/13	-	
-	B	EN-2068	02/09/12	-	
ZONE	REV	DESCRIPTION	DATE	APPROVED	

4

3

2

D

D

C

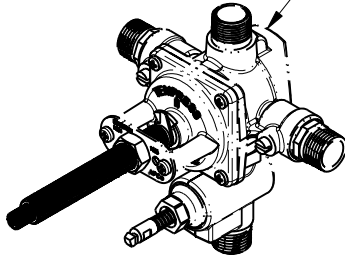
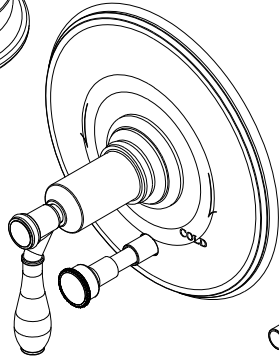
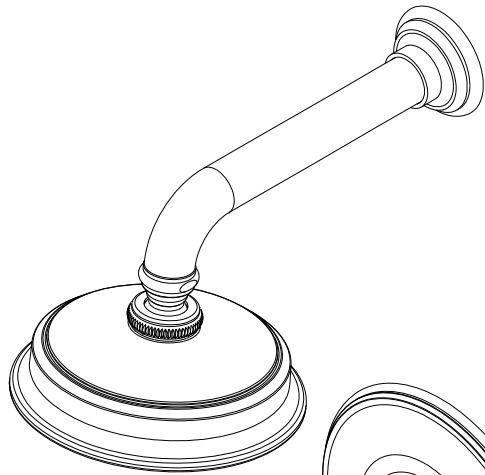
C

B

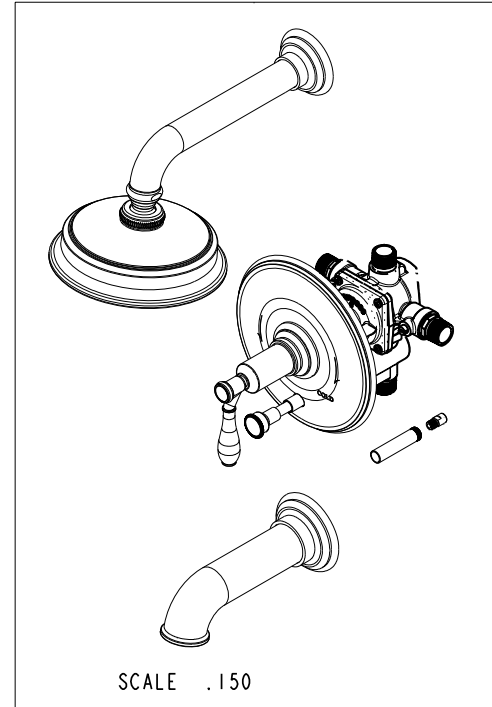
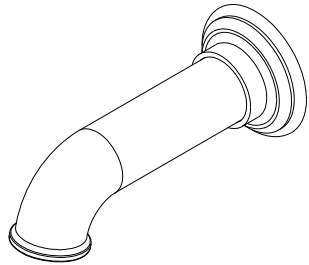
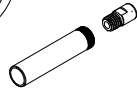
B

A

A



PN: 1-595
SOLD SEPARATELY



SCALE .150

BRASSTECH		2001 E. CARNEGIE AVE.	
INCORPORATED		SANTA ANA, CA 92705	
		(949) 417-5207	
DWG NO.	3-2552BP	REV	D
SCALE .250	REF. -	SHEET 2	OF 4

4

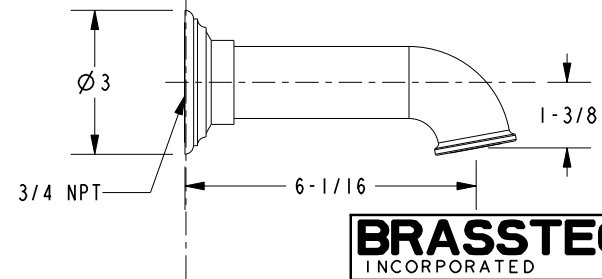
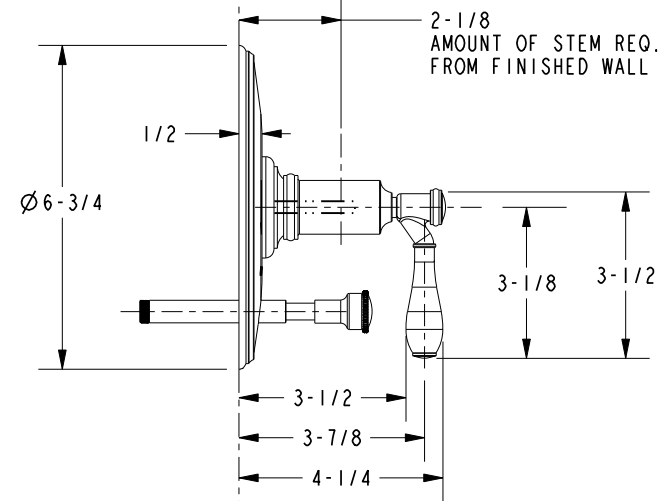
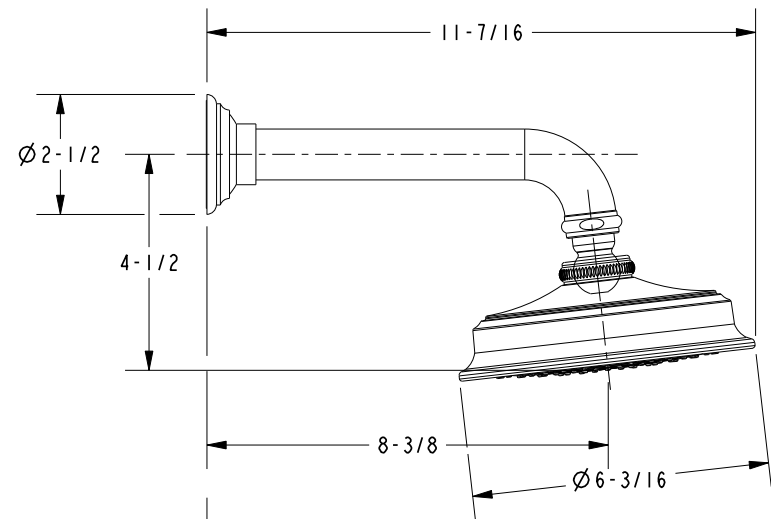
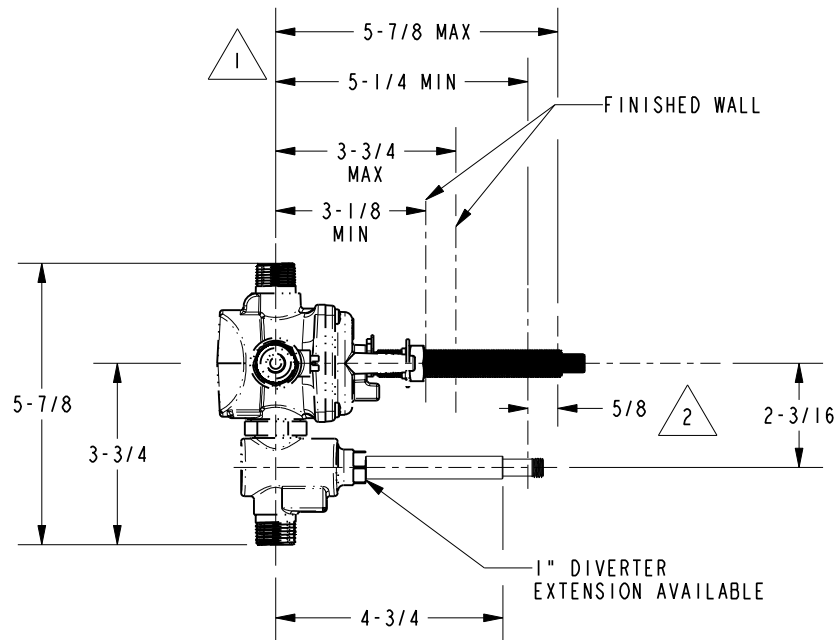
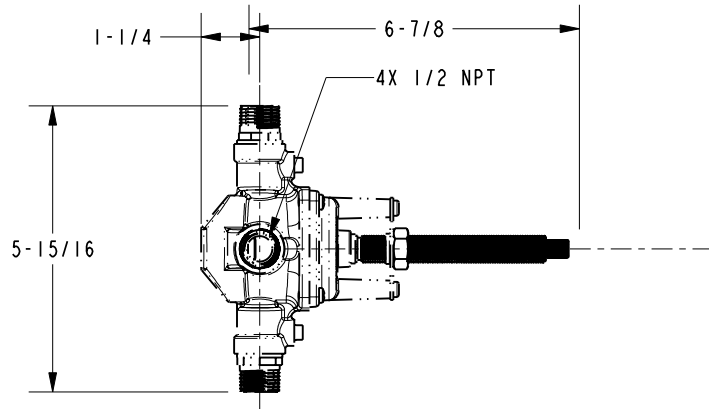
3

2

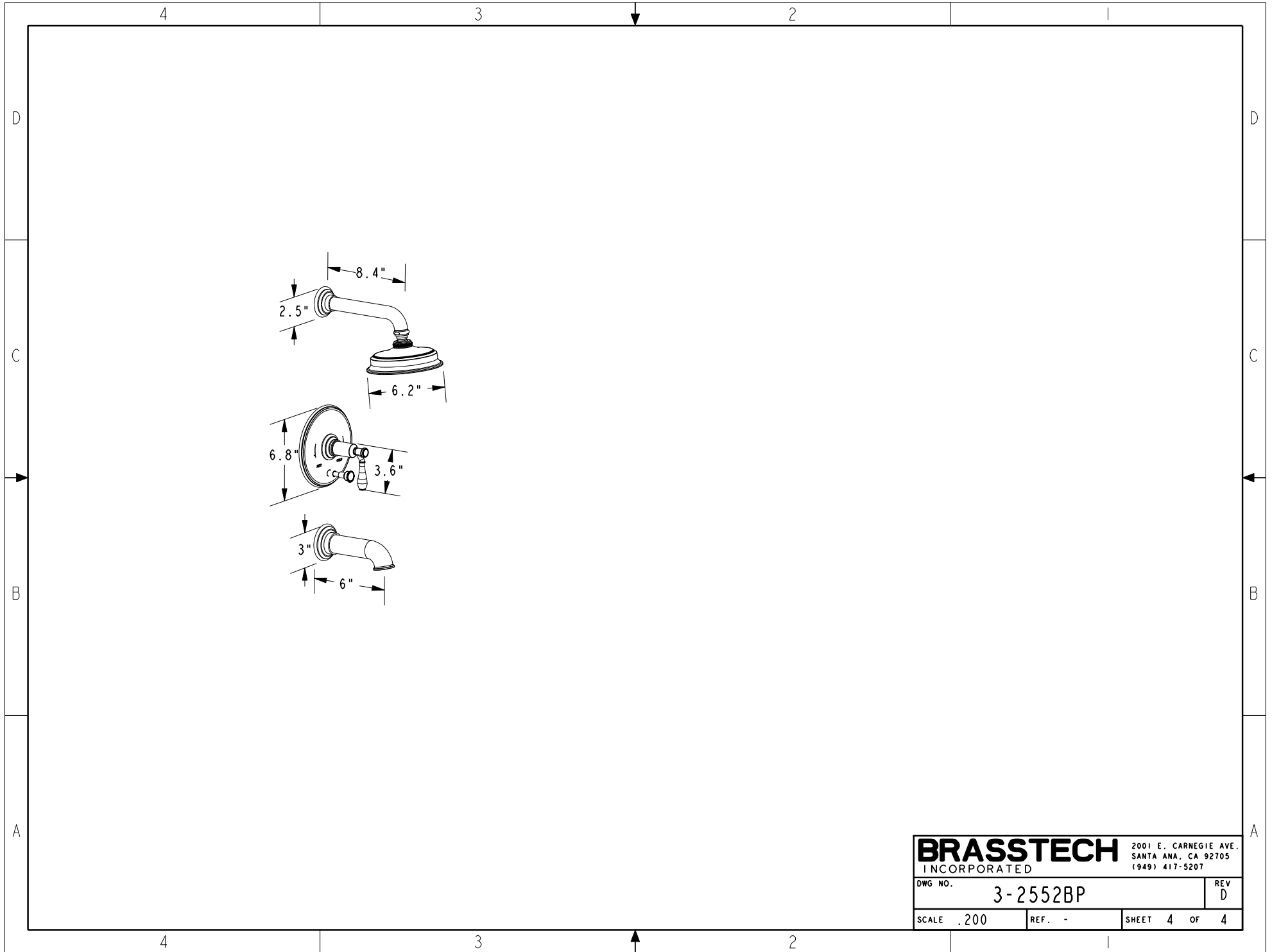
NOTES:

1 CUT STEM TO DIMENSION SHOWN.

2 CUT ALL-THREAD 5/8" SHORTER THAN STEM.



BRASSTECH		2001 E. CARNEGIE AVE.	
INCORPORATED		SANTA ANA, CA 92705	
DWG NO. 3-2552BP		REV D	
SCALE .250	REF. -	SHEET 3 OF 4	



BRASSTECH		2001 E. CARNEGIE AVE.
INCORPORATED		SANTA ANA, CA 92705
		(949) 417-5207
DWG NO.	3-2552BP	REV D
SCALE .200	REF. -	SHEET 4 OF 4