

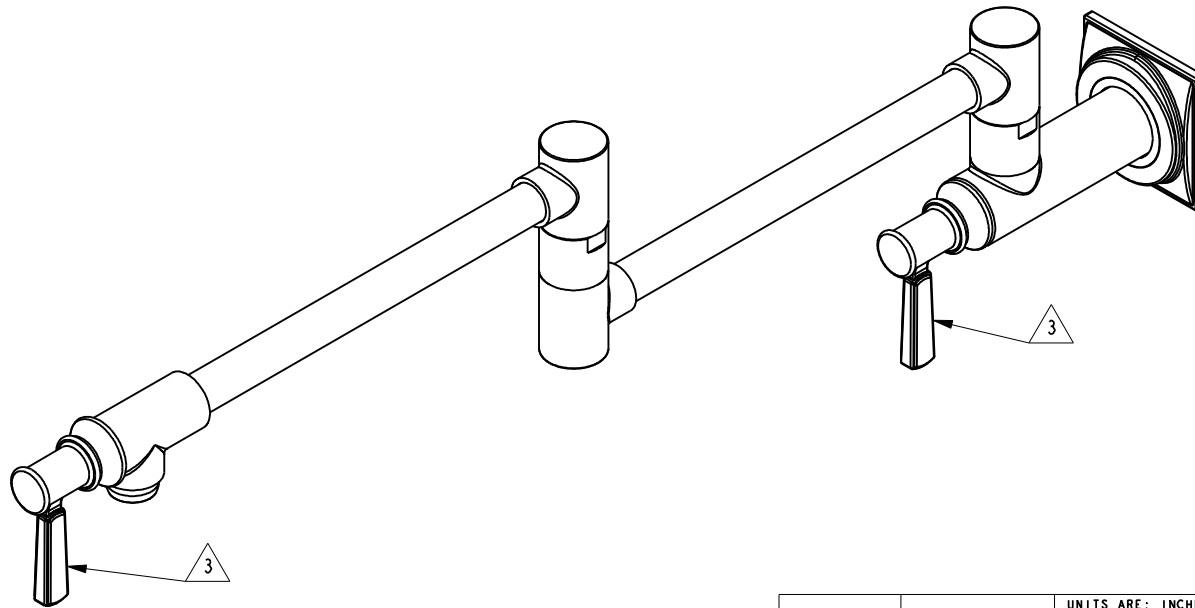
NOTES:

- (N1) 1. FIT / FORM / FUNCTION SHALL FOLLOW PS-E.008.
- 2. PACK THESE ITEMS IN A PLASTIC BAG.
- (N3) 3. HANDLE IN CLOSE POSITION.
- 4. INSTALLATION TORQUE 11-14 LB-FT.
- 5. INSTALLATION TORQUE 4-6 LB-FT.
- 6. APPLY LOCTITE 680.
- 7. APPLY LOCTITE 242

jm
08/16/2018 1-326

BILL OF MATERIAL (CURRENT LEVEL)

ITEM	PT/ASSY	DESCRIPTION	TYPE	QTY.
1	11330	VALVE BODY, WALL-END	PART	1
2	11309	FLANGE, MOUNTING	PART	1
3	92223	SCRW, #8 X 2-1/2 PHL FLT HD SS	PART	4
4	92231	SCRW, 1/4-20 X 1/4 SKT HD CUP PT SS	PART	1
5	20-247	FLANGE ASM	ASSEMBLY	1
6	2-553	LOWER ARM ASM, CONTEMP	ASSEMBLY	1
7	2-552	UPPER ARM ASM, CONTEMP	ASSEMBLY	1
8	1-006	C/S VALVE CARTRIDGE - HOT	PART	1
9	12713	HANDLE HUB	PART	2
10	12750	ADAPTER	PART	2
11	91325	WSHR, .23 ID X .625 OD X .093 THK, FLT, NEOPRENE	PART	1
12	1-134	CARTR 3/8 HOT 1/4 TR	PART	1
13	92862	SS M4 X .7 mm FLAT-HEAD CAP SCREW	PART	2
14	20-283	CAP ASM	ASSEMBLY	2



TESTING	-	-	-
ASSEMBLY	-	-	-
PLATING	-	-	-
POLISHING	-	NEXT ASSY	USED ON
MACHINING	-	APPLICATION	
TOOLING FIXTURE #	REMOVE ALL BURRS AND SHARP EDGES		

UNITS ARE: INCHES [MM]
TOLERANCES ARE:
FRACTIONS DECIMALS ANGLES
±1/16" .X ±.1 [2,5] ±1°
.XX ±.06 [1,5]
(X.XXX) DENOTES CRITICAL DIMS.
ALL THREADS ARE CRITICAL
DRAWN AMARISH 03/20/17
CHECKED RAVINDRA 03/20/17
APPROVED J.M 03/20/17

BRASSTECH 2001 CARNEGIE AVE.
INCORPORATED SANTA ANA, CA 92705
(949) 417-5207

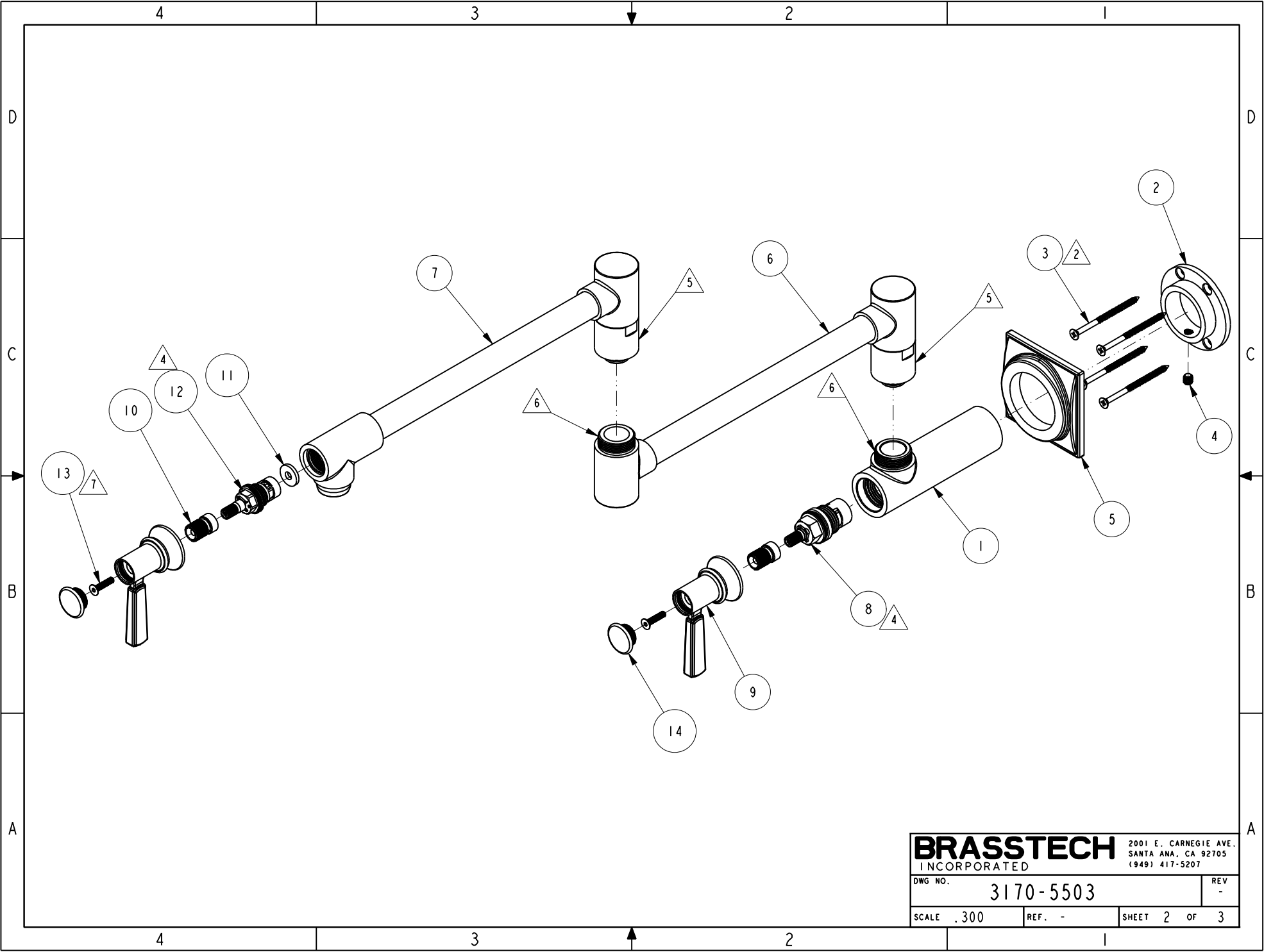
POT FILLER

DWG NO. 3170-5503 REV -

SCALE .300 REF. - SHEET 1 OF 3

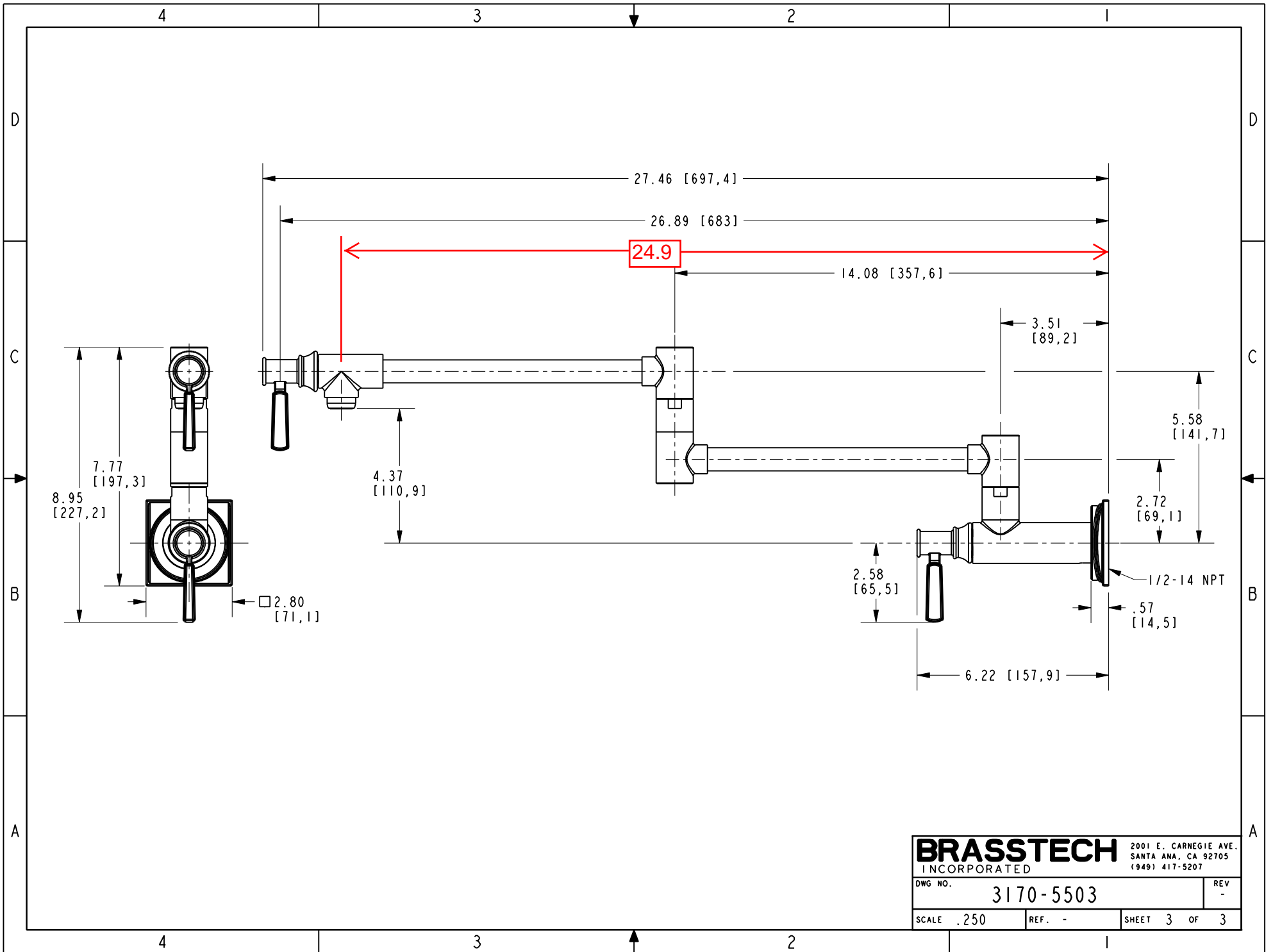
COPYRIGHT 2005 BRASSTECH, INC.
THESE DRAWINGS AND THE DESIGNS
DEPICTED HEREIN ARE THE PROPRIETARY
PROPERTY OF BRASSTECH. ANY USE
OR REPRODUCTION IS SUBJECT TO
THE EXPRESS APPROVAL OF BRASSTECH.
UNAUTHORIZED USE IS STRICTLY
PROHIBITED. ALL RIGHTS RESERVED.

-	-	EN-3076	03/20/17	J.M.
ZONE	REV	DESCRIPTION	DATE	APPROVED



BRASSTECH 2001 E. CARNEGIE AVE.
 INCORPORATED SANTA ANA, CA 92705
 (949) 417-5207

DWG NO.	3170-5503	REV	-
SCALE	.300	REF.	-
		SHEET	2 OF 3



BRASSTECH		2001 E. CARNEGIE AVE.
INCORPORATED		SANTA ANA, CA 92705
		(949) 417-5207
DWG NO.	3170-5503	REV -
SCALE .250	REF. -	SHEET 3 OF 3