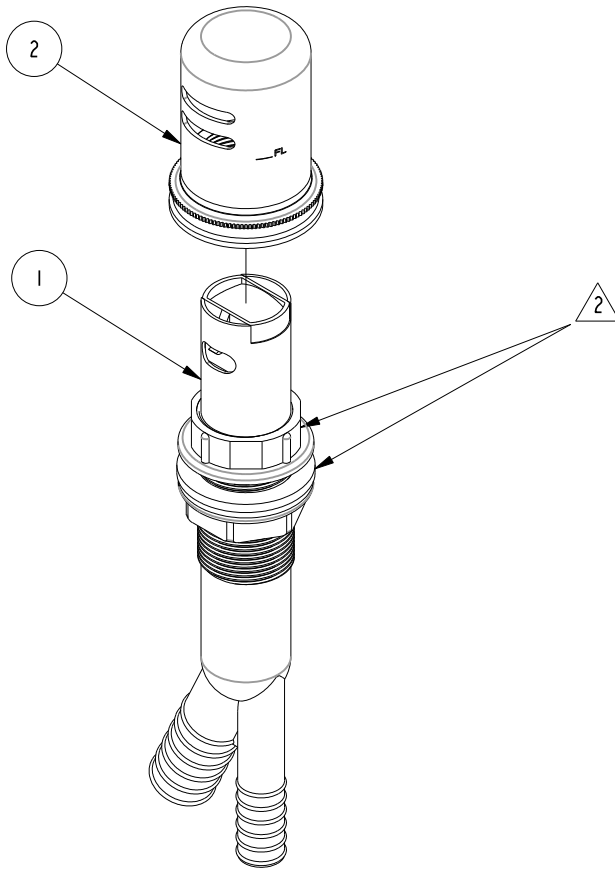


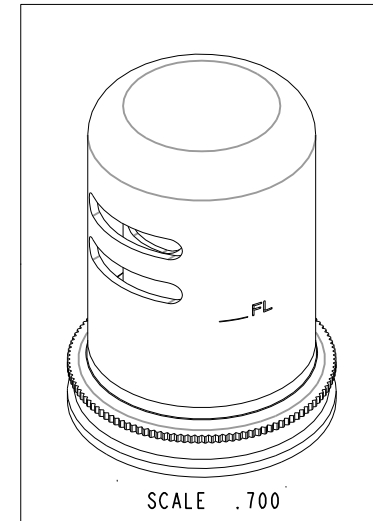
NOTES:

- 1. FIT / FORM / FUNCTION SHALL FOLLOW PS-E.008.
- 2. REMOVE AND DISCARD THIS PLASTIC NUT AND GASKET.



BILL OF MATERIAL (CURRENT LEVEL)

ITEM	PT/ASSY	DESCRIPTION	TYPE	QTY.
1	5-034	AIR GAP BODY	ASSEMBLY	1
2	2940-5751	AIR CAP ASM	ASSEMBLY	1



TESTING	-	-	-	UNITS ARE: INCHES [MM]
ASSEMBLY	-	-	-	TOLERANCES ARE:
PLATING	-	-	-	FRACTIONS DECIMALS ANGLES
POLISHING	-	NEXT ASSY	USED ON	±1/16" .X ±.1 [2,5] ±1°
MACHINING	-	APPLICATION		.XX ±.06 [1,5]
TOOLING FIXTURE #	REMOVE ALL BURRS AND SHARP EDGES			(X.XXX) DENOTES CRITICAL DIMS. ALL THREADS ARE CRITICAL

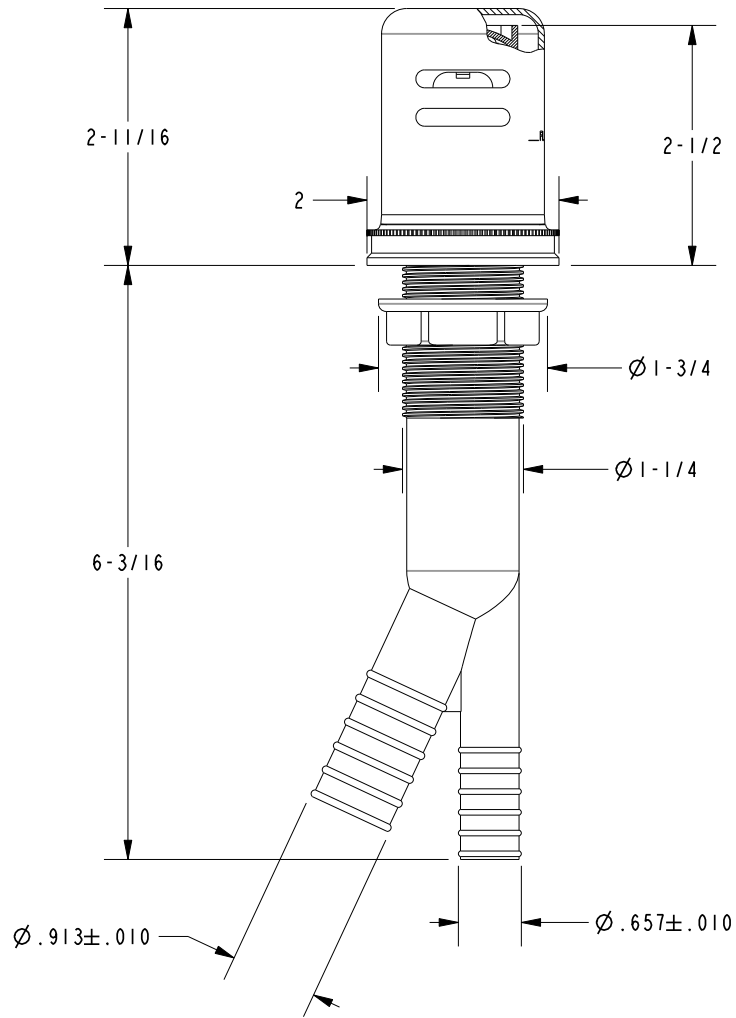
BRASSTECH 2001 CARNEGIE AVE.
INCORPORATED SANTA ANA, CA 92705
(949) 417-5207

AIR GAP ASM

ZONE	REV	DESCRIPTION	DATE	APPROVED
-	B	EN-3297	4/4/17	J. A.
-	A	EN-3270	02/22/17	V. V.
-	-	EN-2980L	11/17/16	V. V.

COPYRIGHT 2005 BRASSTECH, INC. THESE DRAWINGS AND THE DESIGNS DEPICTED HEREIN ARE THE PROPRIETARY PROPERTY OF BRASSTECH. ANY USE OR REPRODUCTION IS SUBJECT TO THE EXPRESS APPROVAL OF BRASSTECH. UNAUTHORIZED USE IS STRICTLY PROHIBITED. ALL RIGHTS RESERVED.

DWG NO.	2940-5711	REV	B
SCALE	.400	REF.	-
SHEET	1	OF	2



BRASSTECH		2001 E. CARNEGIE AVE.	
INCORPORATED		SANTA ANA, CA 92705	
		(949) 417-5207	
DWG NO.	2940-5711	REV	B
SCALE	.500	REF.	-
		SHEET	2 OF 2