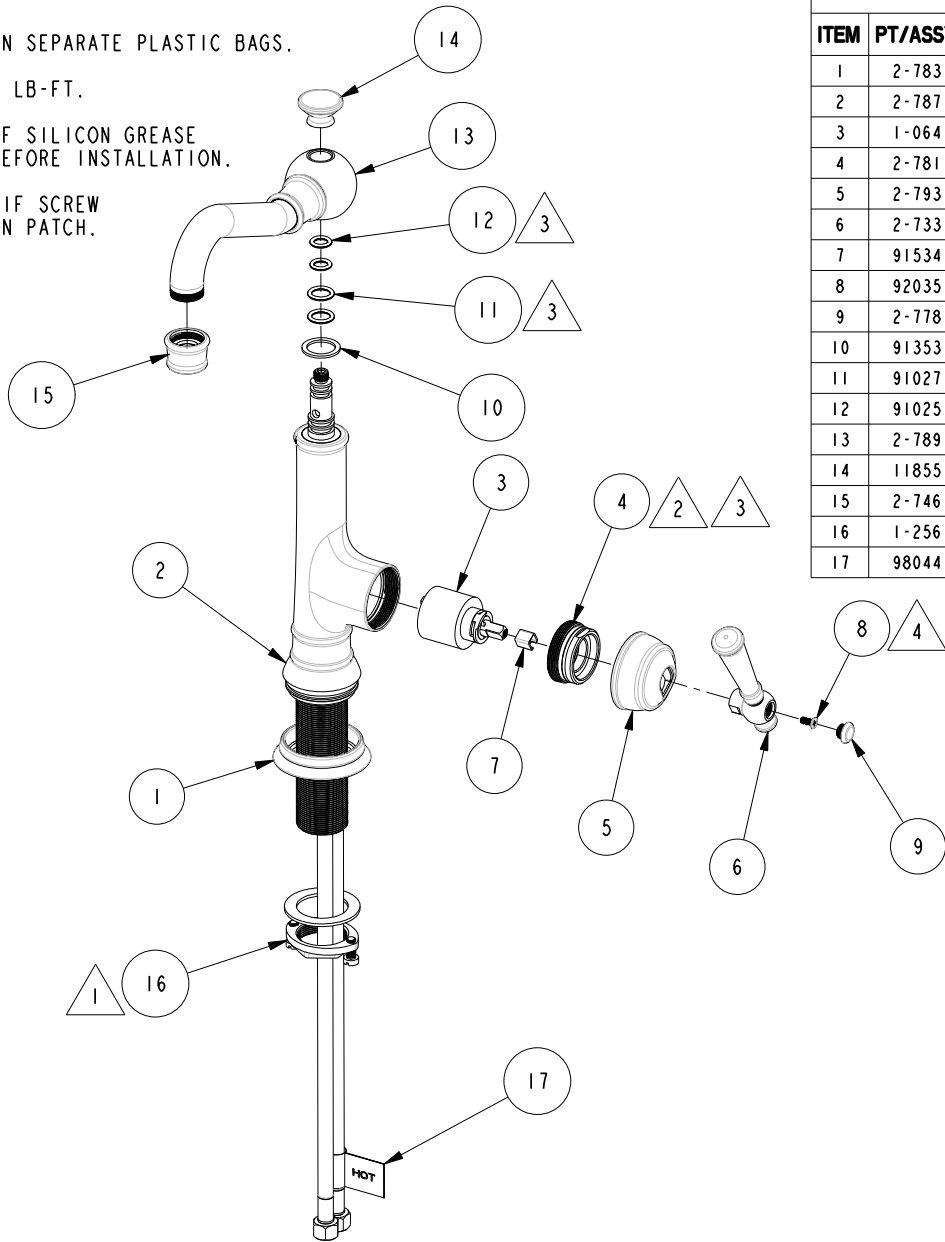


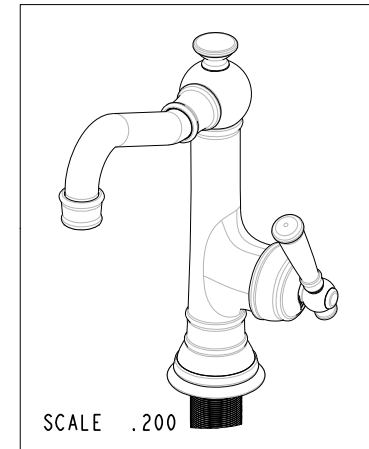
NOTES:

- 1. PUT THESE ITEMS IN SEPARATE PLASTIC BAGS.
- 2. TORQUE TO 7.5-8.5 LB-FT.
- 3. APPLY THIN COAT OF SILICON GREASE FOR ALL O-RINGS BEFORE INSTALLATION.
- 4. APPLY LOTITE 242, IF SCREW DOES NOT HAVE NYLON PATCH.



BILL OF MATERIAL (CURRENT LEVEL)

| ITEM | PT/ASSY | DESCRIPTION | TYPE | QTY. |
|------|---------|---|----------|------|
| 1 | 2-783 | BASE RING ASM | ASSEMBLY | 1 |
| 2 | 2-787 | MAIN BODY ASM, JACOBEAN | ASSEMBLY | 1 |
| 3 | 1-064 | SINGLE LEVER CARTRIDGE | PART | 1 |
| 4 | 2-781 | CART. RETAINER ASM | ASSEMBLY | 1 |
| 5 | 2-793 | HANDLE HUB ASM, JACOBEAN | ASSEMBLY | 1 |
| 6 | 2-733 | HANDLE ASM, JACOBEAN | ASSEMBLY | 1 |
| 7 | 91534 | CARTRIDGE STEM INSERT | PART | 1 |
| 8 | 92035 | SCRW, M4 X .7 X 10 PHL FLT HD SS | PART | 1 |
| 9 | 2-778 | CAP ASM | ASSEMBLY | 1 |
| 10 | 91353 | WSHR, .75 ID X 1.0 OD X .062 THK, FLT, TEFLON | PART | 1 |
| 11 | 91027 | O-RING, #2- 112, EPDM, 65-75 DURO, NSF 61 | PART | 2 |
| 12 | 91025 | O-RING, #2- 110, EPDM, 65-75 DURO, NSF 61 | PART | 2 |
| 13 | 2-789 | SPOUT ASM | ASSEMBLY | 1 |
| 14 | 11855 | FINIAL NUT | PART | 1 |
| 15 | 2-746 | AERATOR ASSEMBLY | ASSEMBLY | 1 |
| 16 | 1-256 | MOUNTING KIT | ASSEMBLY | 1 |
| 17 | 98044 | LABEL - HOT | PART | 1 |



| | | |
|-----|----------|----------|
| J | EN-2500 | 04/22/13 |
| H | EN-2358a | 02/12/13 |
| G | EN-2358 | 11/15/12 |
| F | EN-2211 | 07/06/12 |
| E | EN-2181 | 06/11/12 |
| D | EN-2140 | 04/30/12 |
| C | EN-2028 | 01/06/12 |
| REV | REV DESC | DATE |

COPYRIGHT 2005 BRASSTECH, INC. THESE DRAWINGS AND THE DESIGNS DEPICTED HEREIN ARE THE PROPRIETARY PROPERTY OF BRASSTECH. ANY USE OR REPRODUCTION IS SUBJECT TO THE EXPRESS APPROVAL OF BRASSTECH. UNAUTHORIZED USE IS STRICTLY PROHIBITED. ALL RIGHTS RESERVED.

BRASSTECH
INCORPORATED
2001 E. CARNEGIE AVE.
SANTA ANA, CA 92705
(949) 417-5207

JACOBEAN SINGLE HOLE - BAR / PREP FAUCET

ASSY. NO. 2470-5203

SCALE .200

REF. -

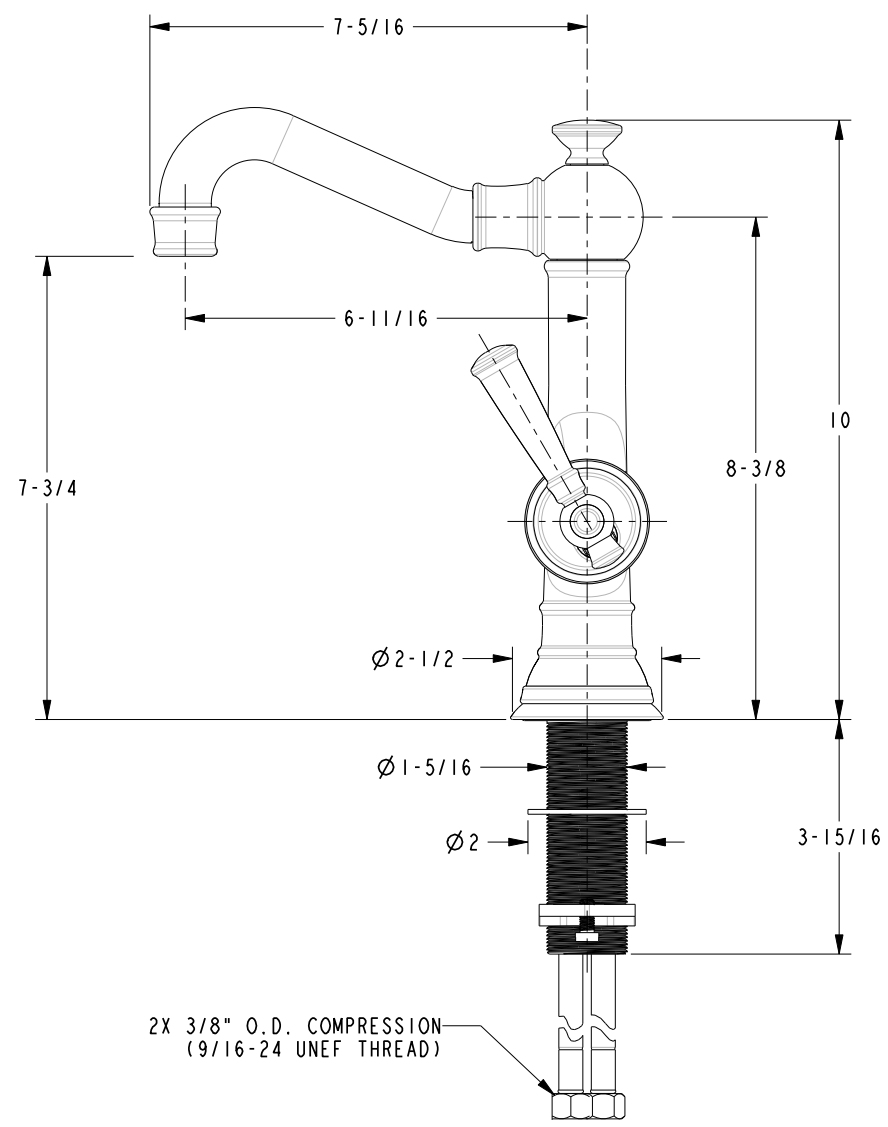
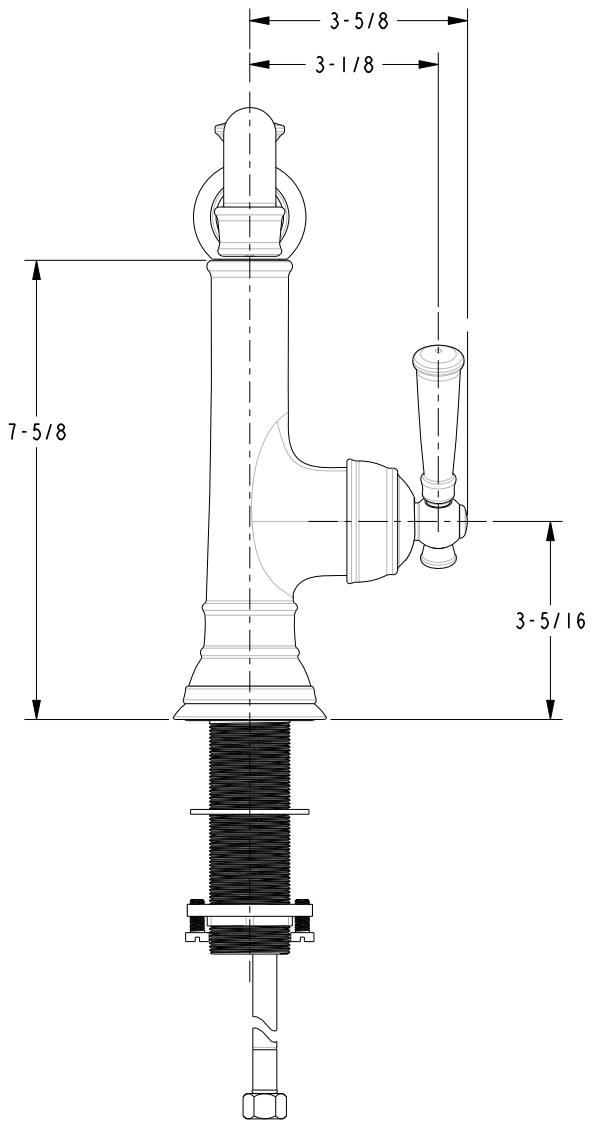
SHEET 1 OF 2

REV

REV DESC

DATE

SPECIFICATION DWG



2X 3/8" O.D. COMPRESSION
(9/16-24 UNEF THREAD)

DIMENSIONS ARE IN INCHES AND AN APPROXIMATION OF A TYPICAL INSTALLATION

COPYRIGHT 2005 BRASSTECH, INC. THESE DRAWINGS AND THE DESIGNS DEPICTED HEREIN ARE THE PROPRIETARY PROPERTY OF BRASSTECH. ANY USE OR REPRODUCTION IS SUBJECT TO THE EXPRESS APPROVAL OF BRASSTECH. UNAUTHORIZED USE IS STRICTLY PROHIBITED. ALL RIGHTS RESERVED.

| | | | |
|------------------|-----------|---|----------|
| BRASSTECH | | 2001 CARNEGIE AVE. SANTA ANA, CA 92705 (949) 417-5207 | |
| DWG NO. | 2470-5203 | | REV J |
| SCALE | .313 | REF. | - |
| | | SHEET | 2 OF 2 |