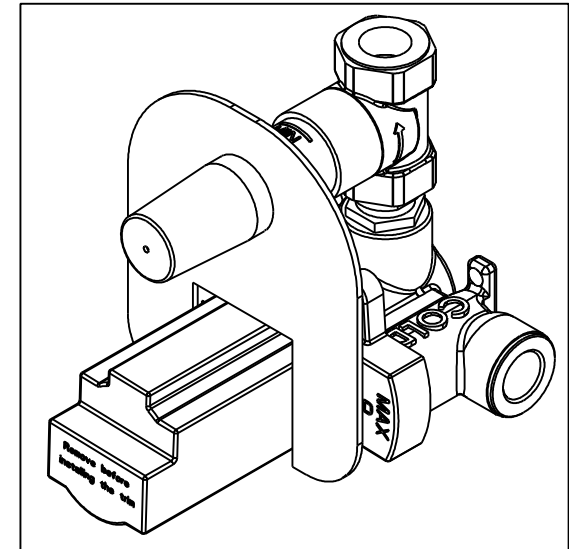
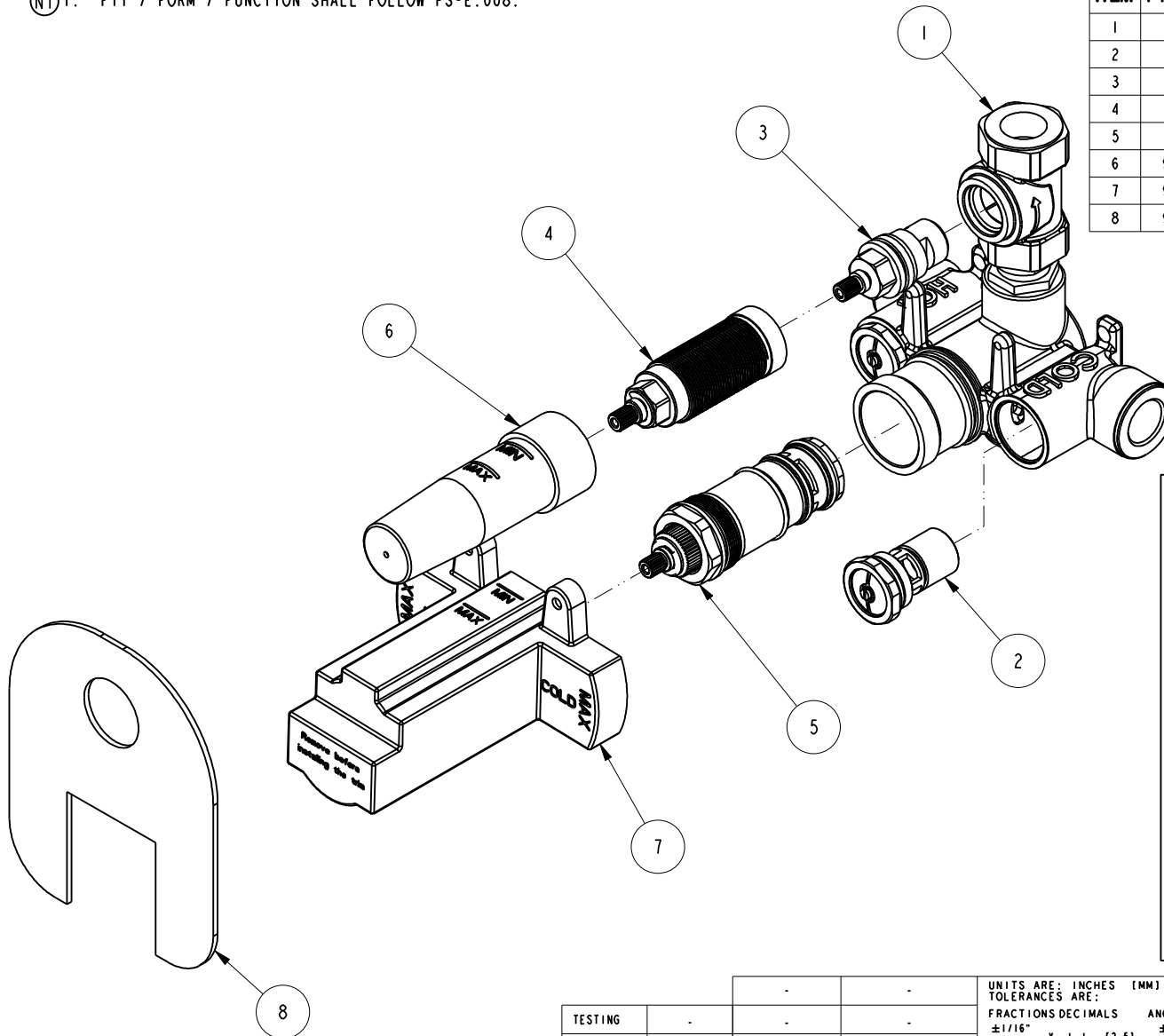


NOTES:

(NI) 1. FIT / FORM / FUNCTION SHALL FOLLOW PS-E.008.

BILL OF MATERIAL (CURRENT LEVEL)

ITEM	PT/ASSY	DESCRIPTION	TYPE	QTY.
1	1-365	1/2" THERMO VALVE BODY	ASSEMBLY	1
2	1-103	STOP VALVE ASSEMBLY	ASSEMBLY	2
3	1-366	1/2" THERMO VOLUME CONTROL VALVE	PART	1
4	1-367	VOLUME CONTROL STEM ADAPTER	ASSEMBLY	1
5	1-338	THERMO CARTRIDGE	ASSEMBLY	1
6	91700	VOLUME CONTROL VALVE MUD COVER	PART	1
7	91687	THERMO BODY MUD COVER	PART	1
8	91695	FINISHED WALL OPENING TEMPLATE	PART	1



TESTING	-	-	-
ASSEMBLY	-	-	-
PLATING	-		
POLISHING	-	NEXT ASSY	USED ON
MACHINING	-	APPLICATION	
TOOLING FIXTURE #		REMOVE ALL BURRS AND SHARP EDGES	

UNITS ARE: INCHES [MM]			
TOLERANCES ARE:			
FRACTIONS	DECIMALS	ANGLES	
±1/16"	.X ±.1 [2.5]	±1°	
	.XX ±.06 [1.5]		
(X.XXX) DENOTES CRITICAL DIMS.			
ALL THREADS ARE CRITICAL			
DRAWN	RAVINDRA	10/05/16	
CHECKED	JINSON	10/05/16	
APPROVED	J.M	10/05/16	

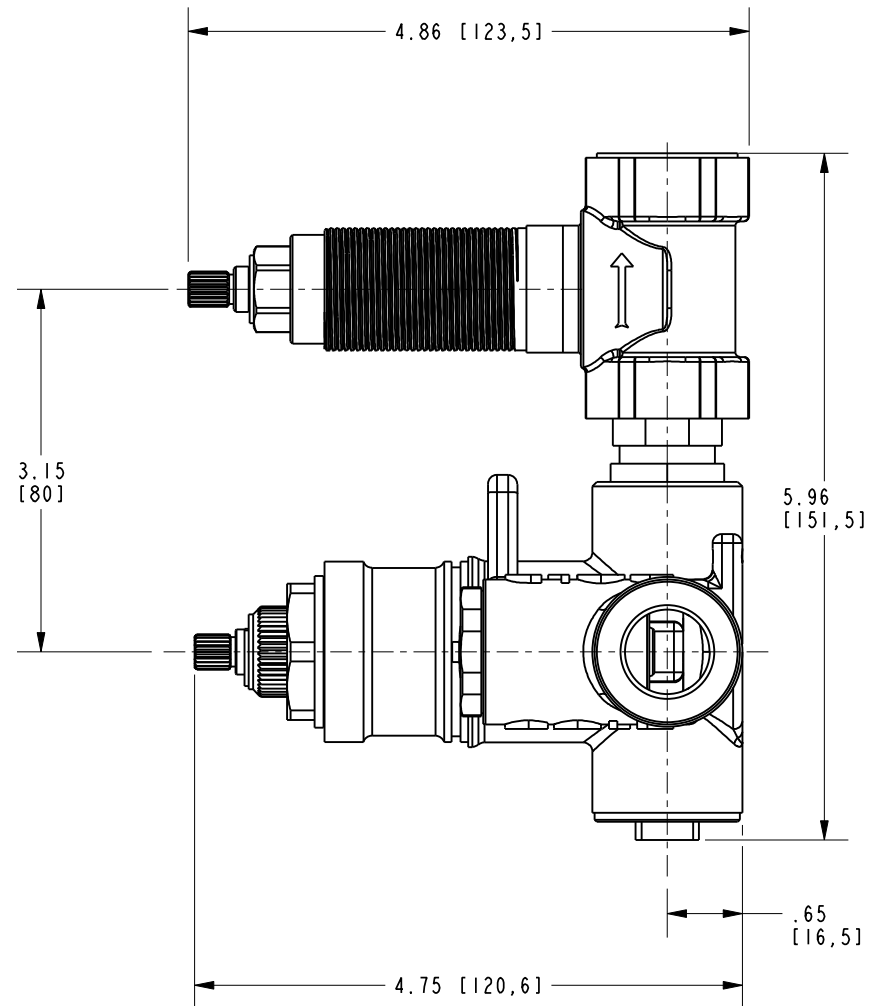
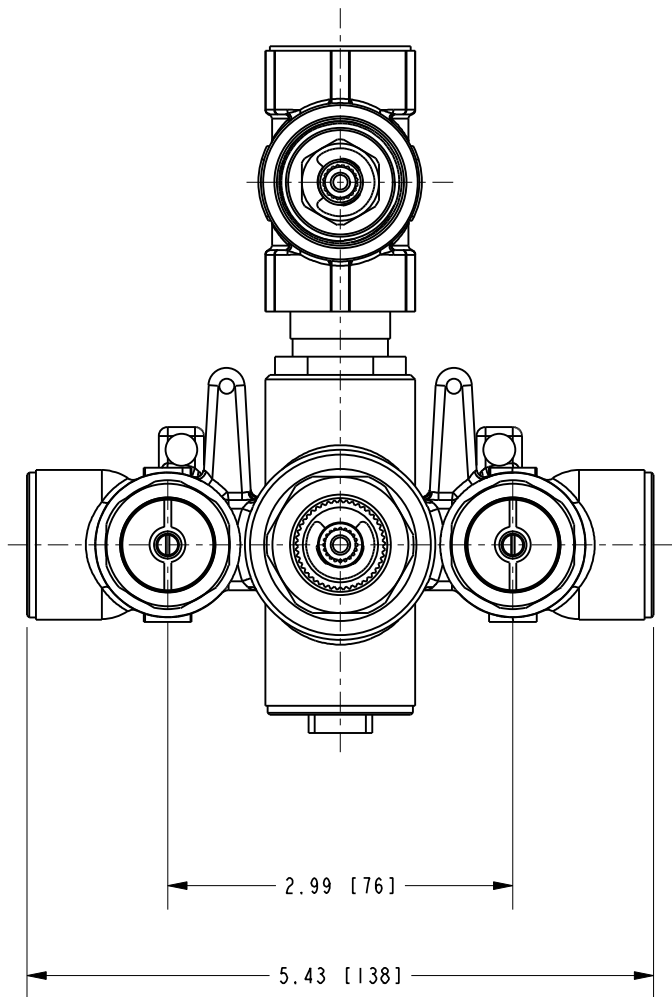
BRASSTECH INCORPORATED
 2001 CARNEGIE AVE.
 SANTA ANA, CA 92705
 (949) 417-5207

1/2" THERMO VALVE WITH VOLUME CONTROL

DWG NO.	1-741	REV	-
SCALE	.375	REF.	-
SHEET	1	OF	2

COPYRIGHT 2005 BRASSTECH, INC. THESE DRAWINGS AND THE DESIGNS DEPICTED HEREIN ARE THE PROPRIETARY PROPERTY OF BRASSTECH. ANY USE OR REPRODUCTION IS SUBJECT TO THE EXPRESS APPROVAL OF BRASSTECH. UNAUTHORIZED USE IS STRICTLY PROHIBITED. ALL RIGHTS RESERVED.

EN-3155	10/05/16	J.M
ZONE	REV	APPROVED



BRASSTECH		2001 E. CARNEGIE AVE.	
INCORPORATED		SANTA ANA, CA 92705	
DWG NO. 1-741		REV -	
SCALE .600	REF. -	SHEET 2 OF 2	