

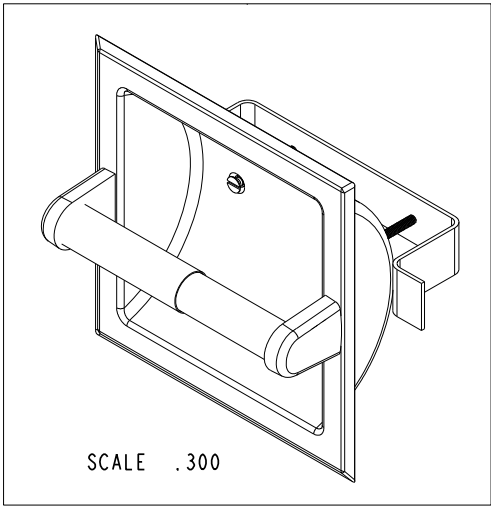
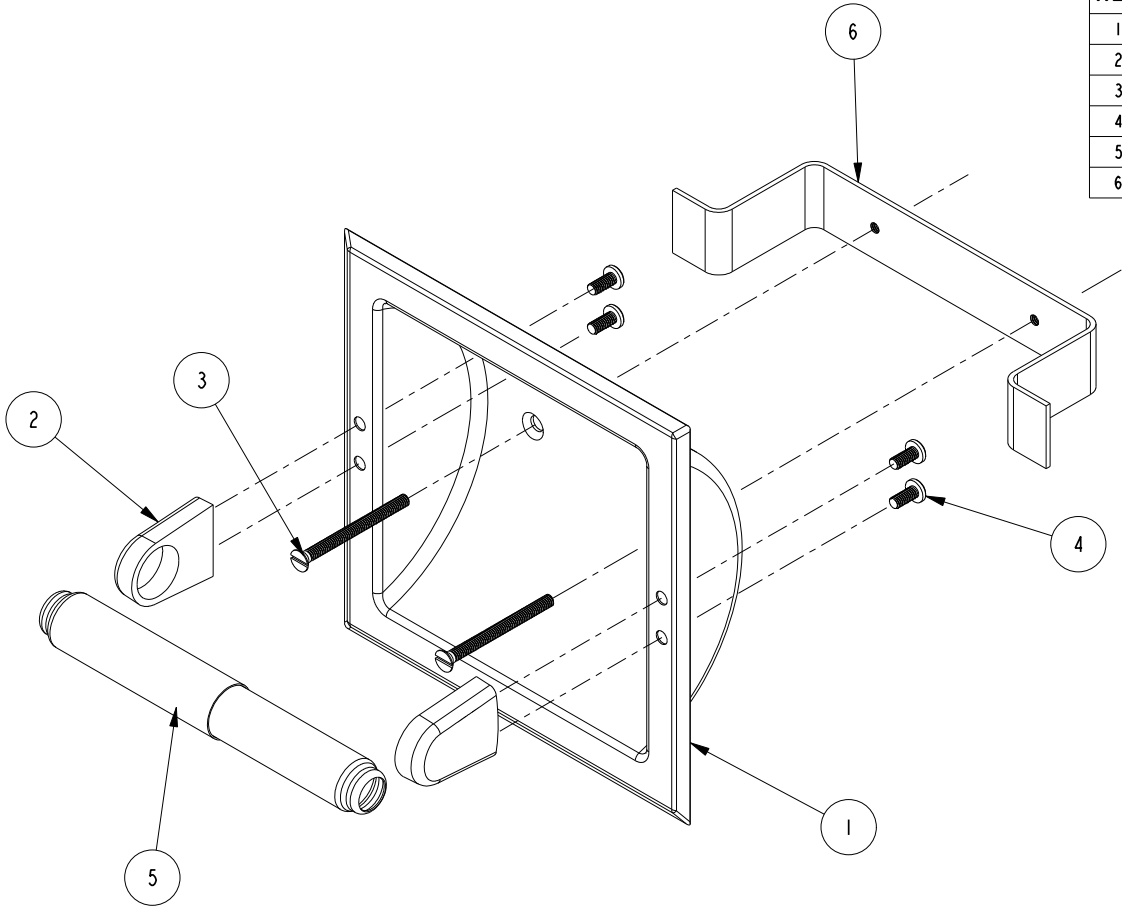
4

3

2

BILL OF MATERIAL (CURRENT LEVEL)

ITEM	PT/ASSY	DESCRIPTION	TYPE	QTY.
1	50428	BEZEL, TISSUE HOLDER	PART	1
2	50429	EAR, RECESSED TISSUE HOLDER	PART	2
3	92075	#8-32 X 1 3/4 FLT HD SCREW BRS	PART	2
4	92076	SCREW, 8-32 X 3/4, PN SLT PHIL.	PART	4
5	2-184	TISSUE ROLLER ASSEMBLY	ASSEMBLY	1
6	50430	CLAMP, RECESSED TISSUE HOLDER	PART	1



COPYRIGHT 2005 BRASSTECH, INC. THESE DRAWINGS AND THE DESIGNS DEPICTED HEREIN ARE THE PROPRIETARY PROPERTY OF BRASSTECH. ANY USE OR REPRODUCTION IS SUBJECT TO THE EXPRESS APPROVAL OF BRASSTECH. UNAUTHORIZED USE IS STRICTLY PROHIBITED. ALL RIGHTS RESERVED.

BRASSTECH
 INCORPORATED
 2001 E. CARNEGIE AVE.
 SANTA ANA, CA 92705
 (949) 417-5207

RECESSED TISSUE HOLDER

ASSY. NO. 10-89		-	-	-
SCALE .400	REF. -	SHEET 1 OF 2	REV	REV DESC
				DATE
			RELEASED	PRE '95

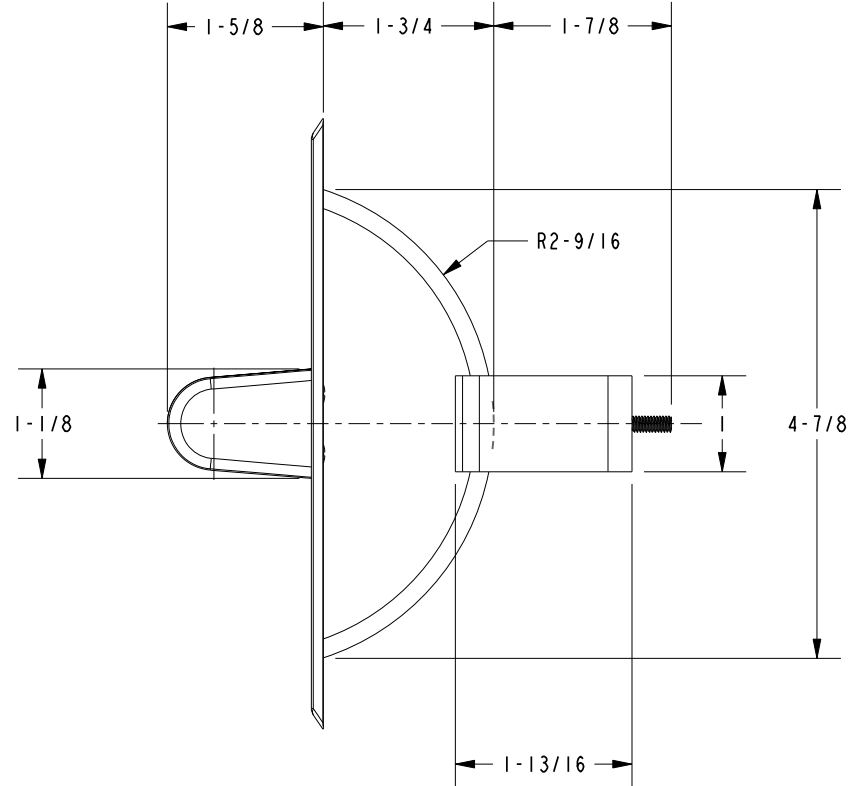
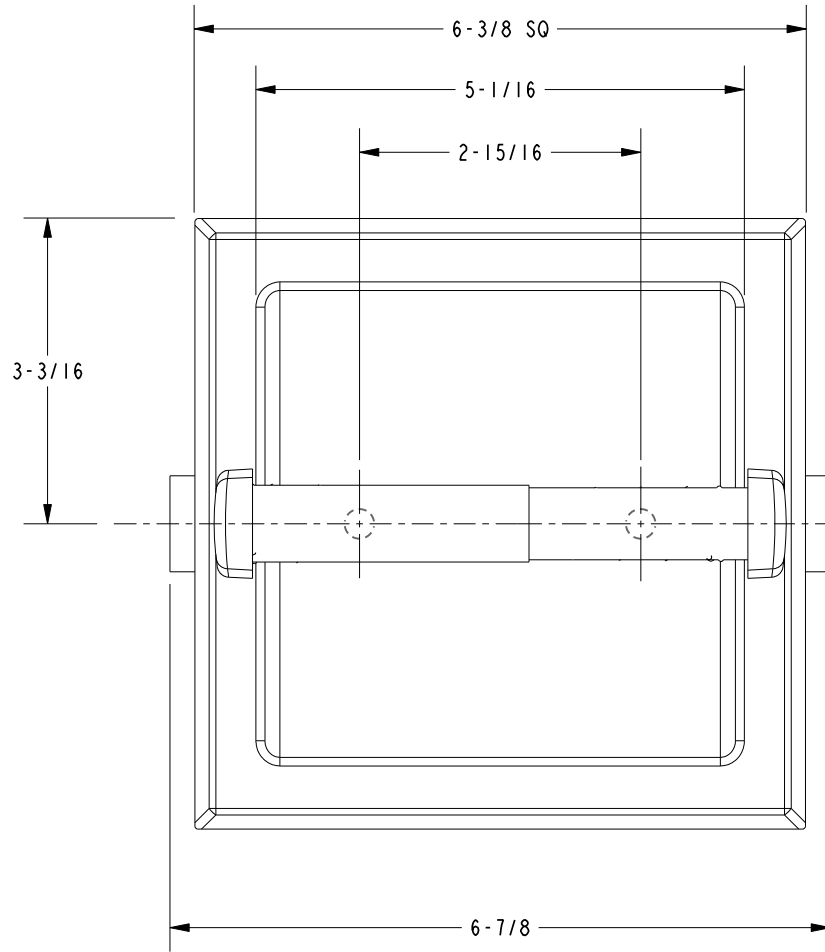
4

3

2

1

SPECIFICATION DWG



DIMENSIONS ARE IN INCHES AND AN APPROXIMATION OF A TYPICAL INSTALLATION

COPYRIGHT 2005 BRASSTECH, INC. THESE DRAWINGS AND THE DESIGNS DEPICTED HEREIN ARE THE PROPRIETARY PROPERTY OF BRASSTECH. ANY USE OR REPRODUCTION IS SUBJECT TO THE EXPRESS APPROVAL OF BRASSTECH. UNAUTHORIZED USE IS STRICTLY PROHIBITED. ALL RIGHTS RESERVED.

BRASSTECH		2001 CARNEGIE AVE. SANTA ANA, CA 92705 (949) 417-5207	
INCORPORATED			
DWG NO.	10-89	REV	-
SCALE	.500	REF.	-
		SHEET	2 OF 2