

4

3

2

1

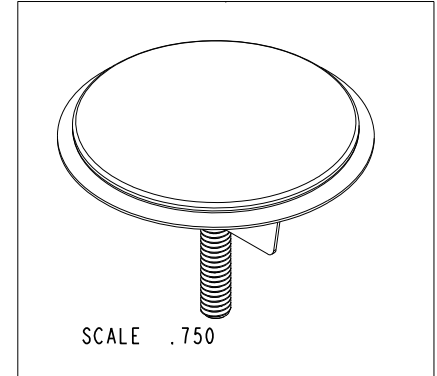
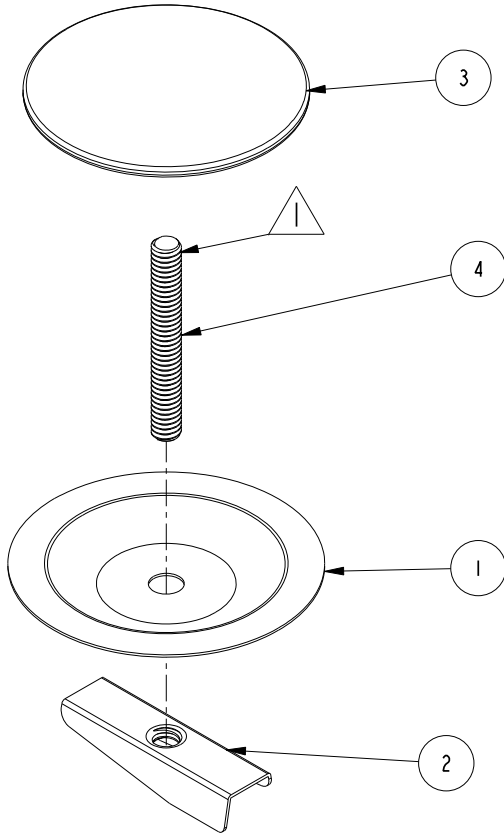
NOTE:



APPLY LOCTITE 680.

**BILL OF MATERIAL (CURRENT LEVEL)**

ITEM	PT/ASSY	DESCRIPTION	TYPE	QTY.
1	50053	WSHR, .25 ID X 2.20 OD X .193 THK, CUSTOM, GLV STL	PART	1
2	50054	WING NUT 12-24	PART	1
3	50980	COVER	PART	1
4	92839	12-24 X 1-5/8 BRASS THREADED ROD	PART	1



D

D

C

C

B

B

A

A

COPYRIGHT 2005 BRASSTECH, INC. THESE DRAWINGS AND THE DESIGNS DEPICTED HEREIN ARE THE PROPRIETARY PROPERTY OF BRASSTECH. ANY USE OR REPRODUCTION IS SUBJECT TO THE EXPRESS APPROVAL OF BRASSTECH. UNAUTHORIZED USE IS STRICTLY PROHIBITED. ALL RIGHTS RESERVED.

**BRASSTECH**  
 INCORPORATED  
 2001 E. CARNEGIE AVE.  
 SANTA ANA, CA 92705  
 (949) 417-5207

**FAUCET HOLE COVER**

ASSY. NO.

103

SCALE .750

REF. -

SHEET 1 OF 2

B	EN-2557	06/26/13
A	EO-0149	01/30/03
-	RELEASED	PRE '95
REV	REV DESC	DATE

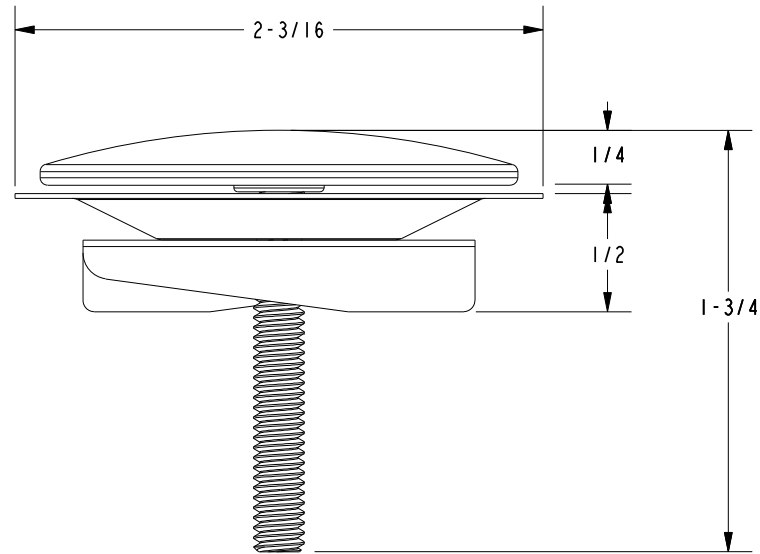
4

3

2

1

SPECIFICATION DWG



DIMENSIONS ARE IN INCHES AND AN APPROXIMATION OF A TYPICAL INSTALLATION

COPYRIGHT 2005 BRASSTECH, INC. THESE DRAWINGS AND THE DESIGNS DEPICTED HEREIN ARE THE PROPRIETARY PROPERTY OF BRASSTECH. ANY USE OR REPRODUCTION IS SUBJECT TO THE EXPRESS APPROVAL OF BRASSTECH. UNAUTHORIZED USE IS STRICTLY PROHIBITED. ALL RIGHTS RESERVED.

<b>BRASSTECH</b>		2001 CARNEGIE AVE. SANTA ANA, CA 92705 (949) 417-5207	
DWG NO.	103	REV	B
SCALE	1.250	REF.	-
		SHEET	2 OF 2