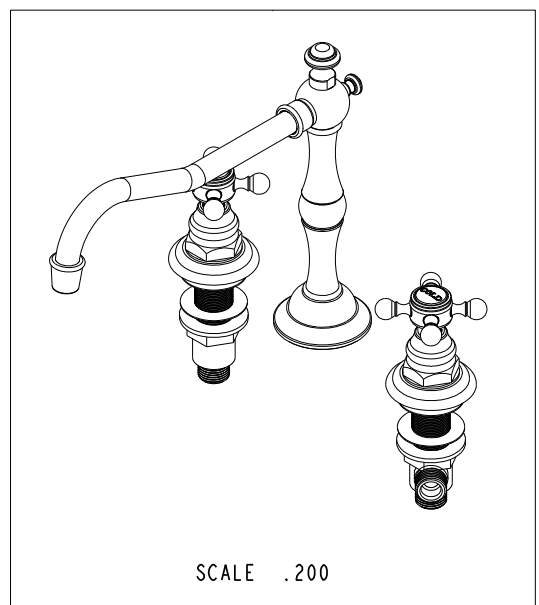


BILL OF MATERIAL (CURRENT LEVEL)

ITEM	PT/ASSY	DESCRIPTION	TYPE	QTY.
1	10048	ESCUTCHEON W/S VALVE	PART	2
2	10523	HEX ESCUTCHEON BONNET	PART	2
3	2-142	HANDLE ONLY, COLD	ASSEMBLY	1
4	2-141	HANDLE ONLY, HOT	ASSEMBLY	1
5	2-614	942 KITCHEN SPOUT	ASSEMBLY	1
6	1-525	W/S VALVE INSTALLATION	ASSEMBLY	1
7	91231	O-RING, #2-136, EPDM, 65-75 DURO	PART	2



COPYRIGHT 2005 BRASSTECH, INC. THESE DRAWINGS AND THE DESIGNS DEPICTED HEREIN ARE THE PROPRIETARY PROPERTY OF BRASSTECH. ANY USE OR REPRODUCTION IS SUBJECT TO THE EXPRESS APPROVAL OF BRASSTECH. UNAUTHORIZED USE IS STRICTLY PROHIBITED. ALL RIGHTS RESERVED.

BRASSTECH
INCORPORATED

2001 E. CARNEGIE AVE.
SANTA ANA, CA 92705
(949) 417-5207

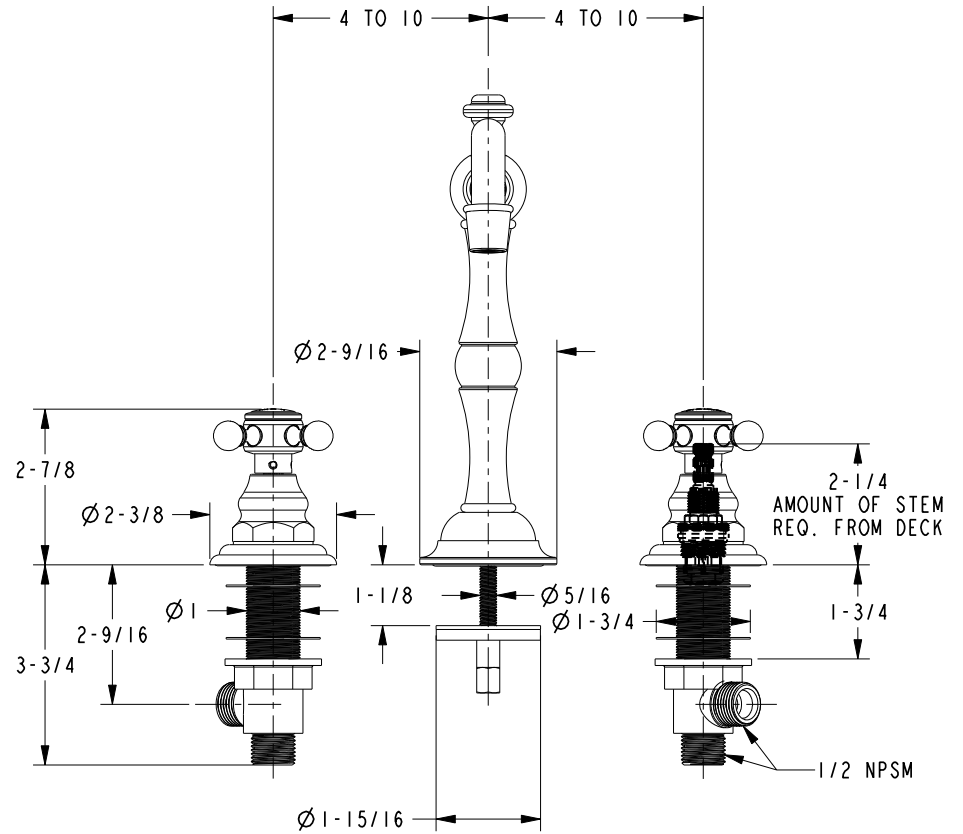
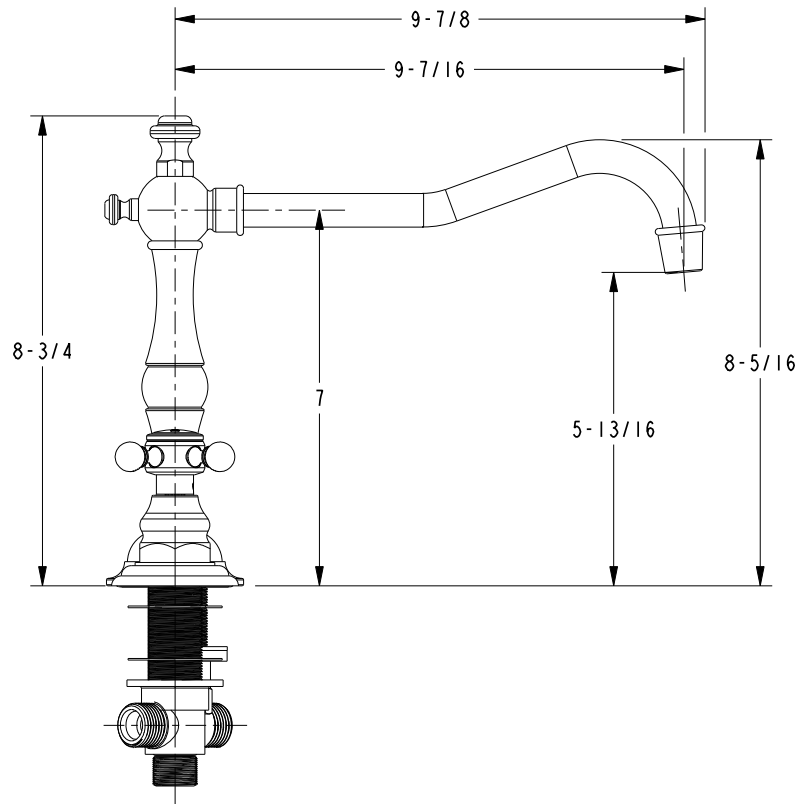
KITCHEN FAUCET

ASSY. NO.
942

SCALE .350 REF. - SHEET 1 OF 2

C	EN-2334	12/20/12
B	EN-1616	09/13/10
A	EN-1220	04/02/09
-	RELEASED	PRE '95
REV	REV DESC	DATE

SPECIFICATION DWG



DIMENSIONS ARE IN INCHES AND AN APPROXIMATION OF A TYPICAL INSTALLATION

COPYRIGHT 2005 BRASSTECH, INC. THESE DRAWINGS AND THE DESIGNS DEPICTED HEREIN ARE THE PROPRIETARY PROPERTY OF BRASSTECH. ANY USE OR REPRODUCTION IS SUBJECT TO THE EXPRESS APPROVAL OF BRASSTECH. UNAUTHORIZED USE IS STRICTLY PROHIBITED. ALL RIGHTS RESERVED.

BRASSTECH		2001 CARNEGIE AVE. SANTA ANA, CA 92705 (949) 417-5207
DWG NO.	942	REV C
SCALE	.280	REF. - SHEET 2 OF 2