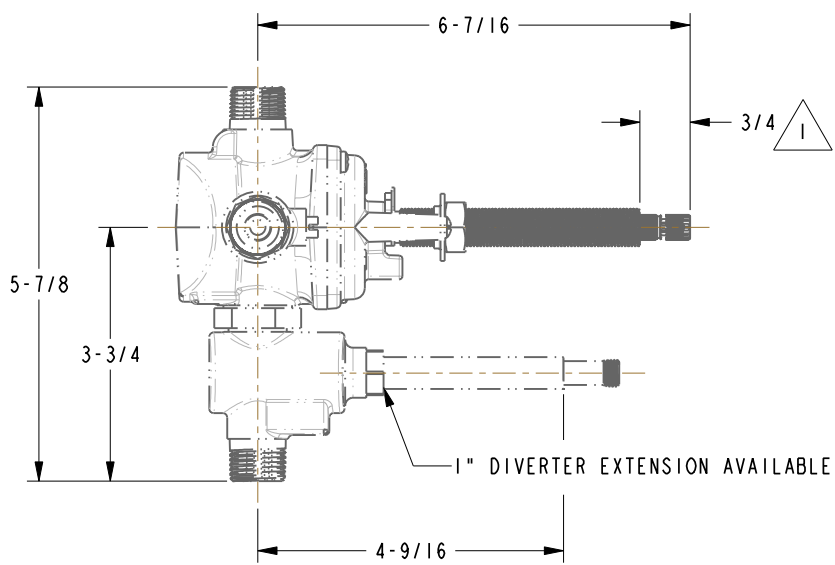
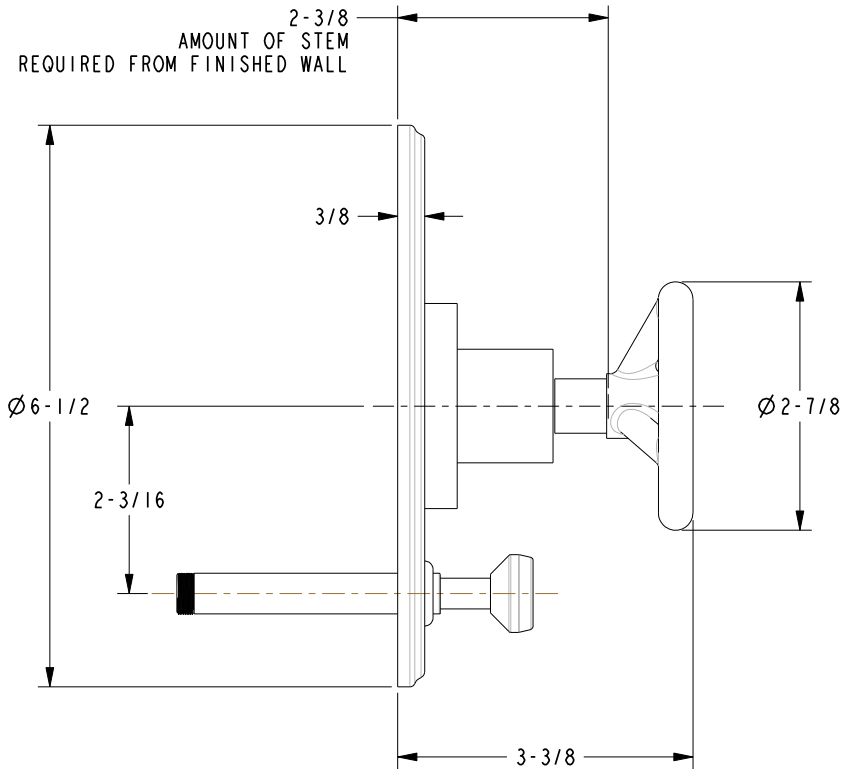
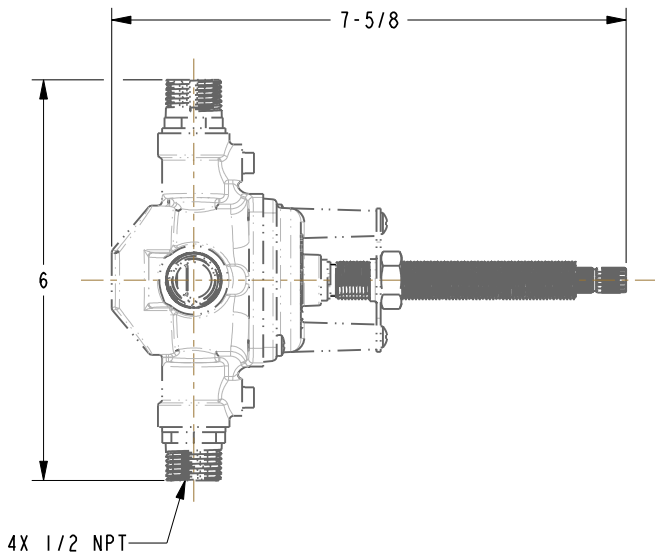


BRASSTECH 2001 E. CARNEGIE AVE.
 INCORPORATED SANTA ANA, CA 92705
 (949) 417-5207

DWG NO.	5-2922BP	REV	A
SCALE	.450	REF.	-
SHEET 2		OF 3	

NOTES:

1. CUT ALL-THREAD 3/4" SHORTER THAN STEM.



BRASSTECH		2001 E. CARNEGIE AVE. SANTA ANA, CA 92705 (949) 417-5207	
DWG NO.	5-2922BP		REV A
SCALE	.350	REF.	-
SHEET 3		OF 3	