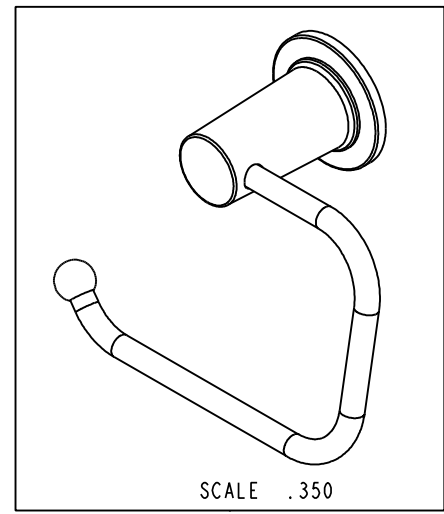


NOTES:

- (N1) 1. FIT / FORM / FUNCTION SHALL FOLLOW PS-E.008.
- 2. APPLY LOCTITE 680.

BILL OF MATERIAL (CURRENT LEVEL)

ITEM	PT/ASSY	DESCRIPTION	TYPE	QTY.
1	6XXB	MOUNTING BRACKET	PART	1
2	1-206	HARDWARE PACK	ASSEMBLY	1
3	20-162	ESCUTCHEON ASM	ASSEMBLY	1
4	40668	OPEN TOWEL/TISSUE POST	PART	1
5	92031	SCRW, M6 X 1 X 6 SKT HD CUP PT SS	PART	2
6	10615	HEX KEY, 3MM ALLOY STEEL	PART	1
7	7-725	ROLLER ASM-TISSUE	ASSEMBLY	1



TESTING	-	-	-	UNITS ARE: INCHES [MM]
ASSEMBLY	-	-	-	TOLERANCES ARE:
PLATING	-	-	-	FRACTIONS DECIMALS ANGLES
POLISHING	-	NEXT ASSY	USED ON	±1/16" .X ±.1 [2,5] ±1"
MACHINING	-	-	-	.XX ±.06 [1,5]
TOOLING FIXTURE #	-	-	-	(X.XXX) DENOTES CRITICAL DIMS. ALL THREADS ARE CRITICAL
				DRAWN RAVINDRA 10/13/16
				CHECKED JINSON 10/13/16
				APPROVED J.M 10/13/16
				REMOVE ALL BURRS AND SHARP EDGES

BRASSTECH 2001 CARNEGIE AVE. SANTA ANA, CA 92705 (949) 417-5207
INCORPORATED

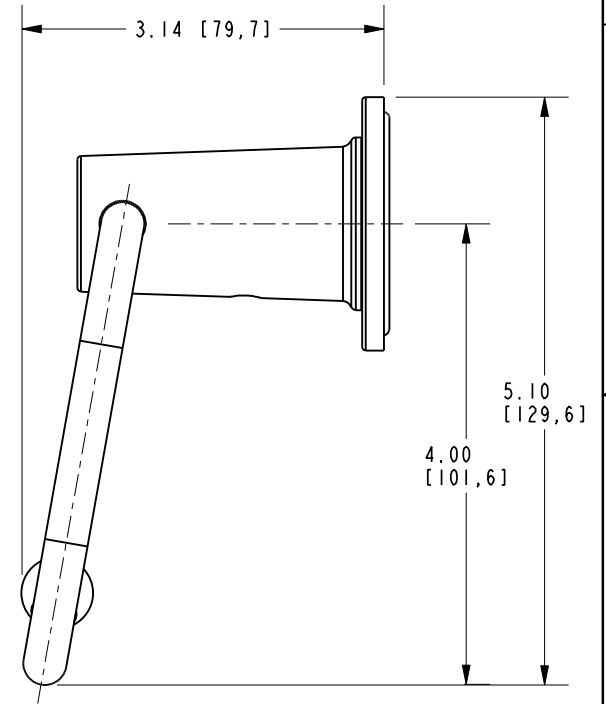
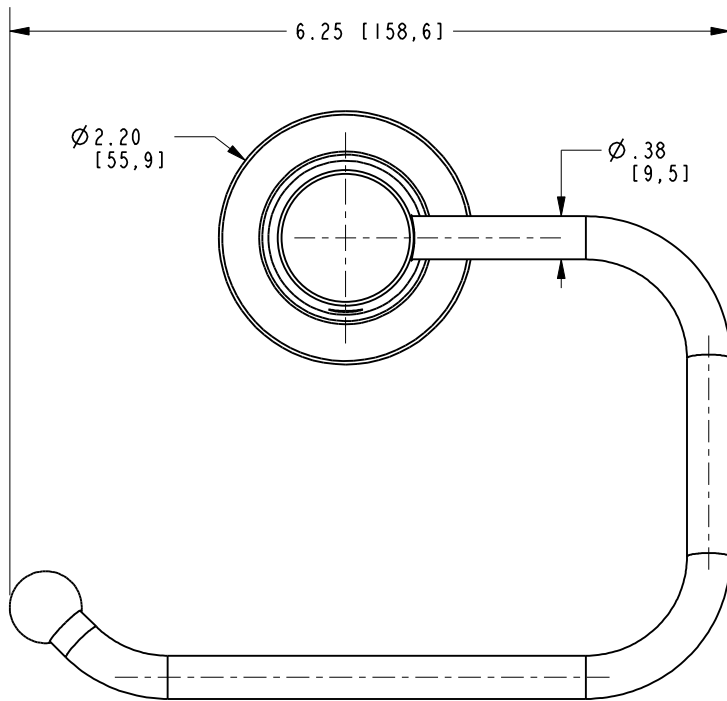
HANGING TT HOLDER

DWG NO. **42-27** REV -

SCALE .400 REF. - SHEET 1 OF 2

COPYRIGHT 2005 BRASSTECH, INC. THESE DRAWINGS AND THE DESIGNS DEPICTED HEREIN ARE THE PROPRIETARY PROPERTY OF BRASSTECH. ANY USE OR REPRODUCTION IS SUBJECT TO THE EXPRESS APPROVAL OF BRASSTECH. UNAUTHORIZED USE IS STRICTLY PROHIBITED. ALL RIGHTS RESERVED.

-	-	EN-3133	10/13/16	J.M
ZONE	REV	DESCRIPTION	DATE	APPROVED



BRASSTECH		2001 E. CARNEGIE AVE. SANTA ANA, CA 92705 (949) 417-5207	
DWG NO.	42-27	REV	-
SCALE	.600	REF.	-
SHEET 2		OF 2	