

4

3

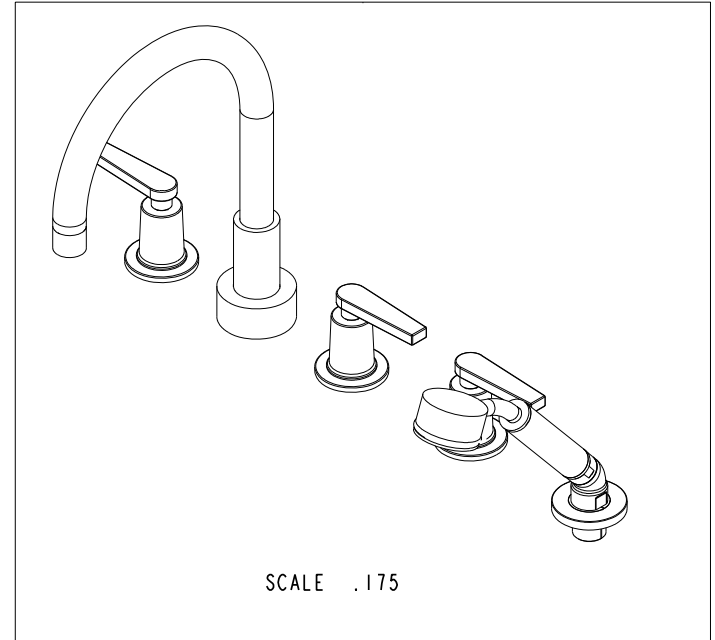
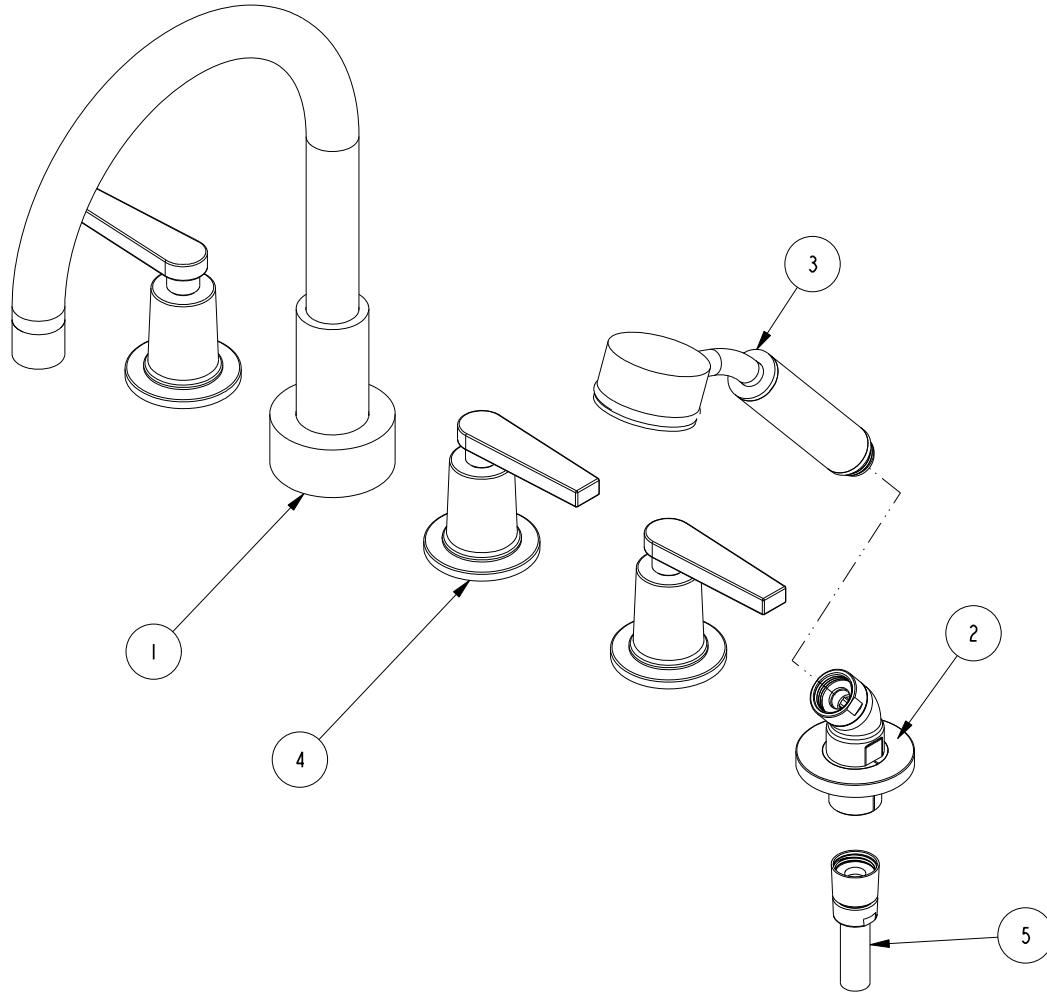
2

NOTES:

- (NI) 1. FIT / FORM / FUNCTION SHALL FOLLOW PS-E.008.

BILL OF MATERIAL (CURRENT LEVEL)

ITEM	PT/ASSY	DESCRIPTION	TYPE	QTY.
1	3-225	R/T SPOUT ASM	ASSEMBLY	1
2	6-289-7	HANDSHOWER-ESC ASM	ASSEMBLY	1
3	283	HAND SHOWER	ASSEMBLY	1
4	3-575	HANDLE AND ESCUTCHEON ASSEMBLY	ASSEMBLY	3
5	284	59 IN. SPIRAL SHOWER HOSE	ASSEMBLY	1



SCALE .175

TESTING	-	-	-
ASSEMBLY	-	-	-
PLATING	-	-	-
POLISHING	-	NEXT ASSY	USED ON
MACHINING	-	APPLICATION	
TOOLING FIXTURE #	REMOVE ALL BURRS AND SHARP EDGES		

UNITS ARE: INCHES [MM]

TOLERANCES ARE:

FRACTIONS DECIMALS ANGLES
 $\pm 1/16"$ $.X \pm .1$ [2.5] $\pm 1^\circ$
 $.XX \pm .06$ [1.5]

(X.XXX) DENOTES CRITICAL DIMS.
 ALL THREADS ARE CRITICAL

DRAWN JINSON 11/20/17
 CHECKED J.M 11/20/17
 APPROVED J.M 11/20/17

BRASSTECH
 INCORPORATED

2001 CARNEGIE AVE.
 SANTA ANA, CA 92705
 (949) 417-5207

ROMAN TUB FAUCET W/
 HANDSHOWER

DWG NO. 3-2977

REV A

SCALE .275

REF. -

SHEET 1 OF 3

COPYRIGHT 2005 BRASSTECH, INC.
 THESE DRAWINGS AND THE DESIGNS
 DEPICTED HEREIN ARE THE PROPRIETARY
 PROPERTY OF BRASSTECH. ANY USE
 OR REPRODUCTION IS SUBJECT TO
 THE EXPRESS APPROVAL OF BRASSTECH.
 UNAUTHORIZED USE IS STRICTLY
 PROHIBITED. ALL RIGHTS RESERVED.

ZONE	REV	DESCRIPTION	DATE	APPROVED
-	A	EN-3516	01/16/18	J.M.
-	-	EN-3041	07/27/16	J.M.

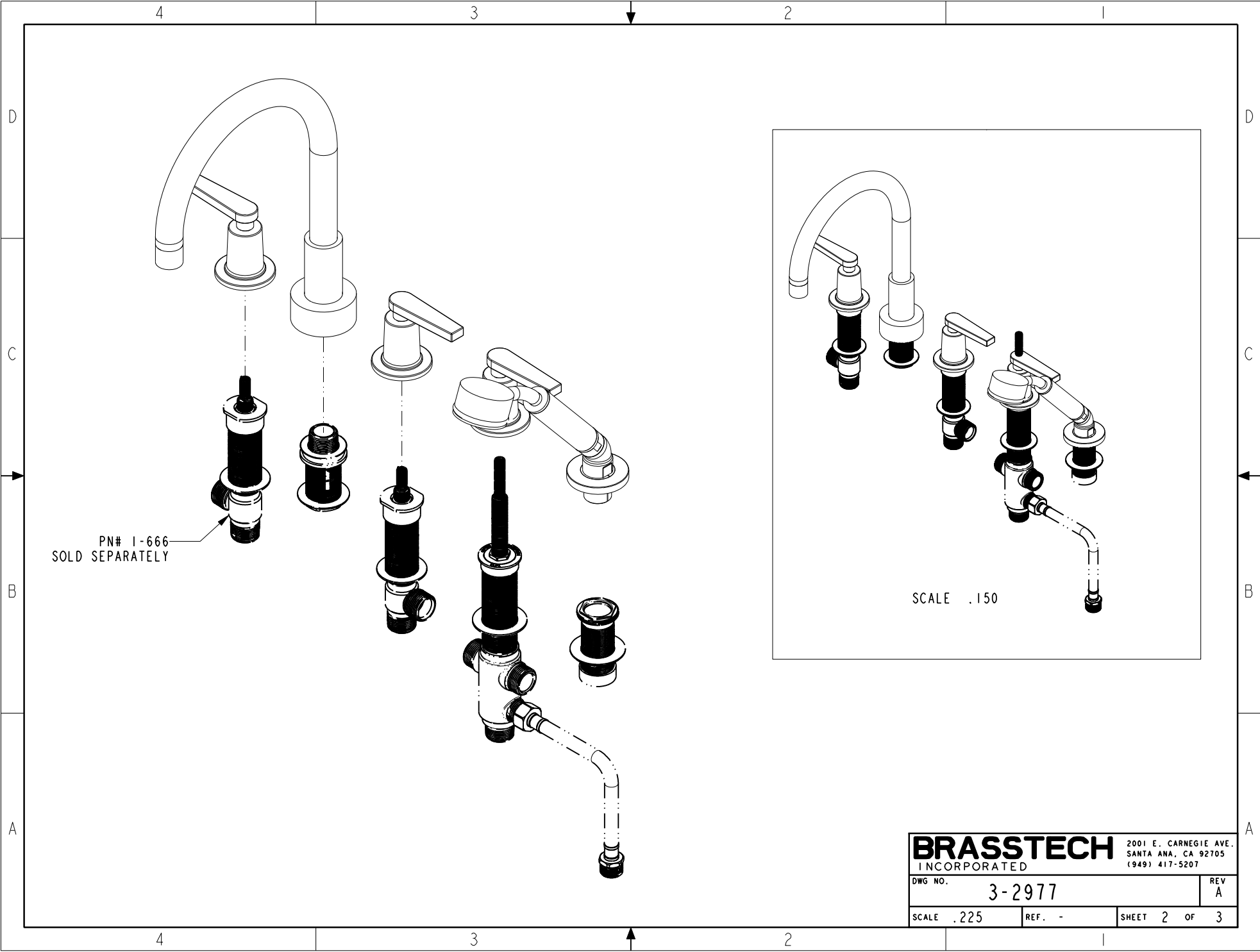
4

3

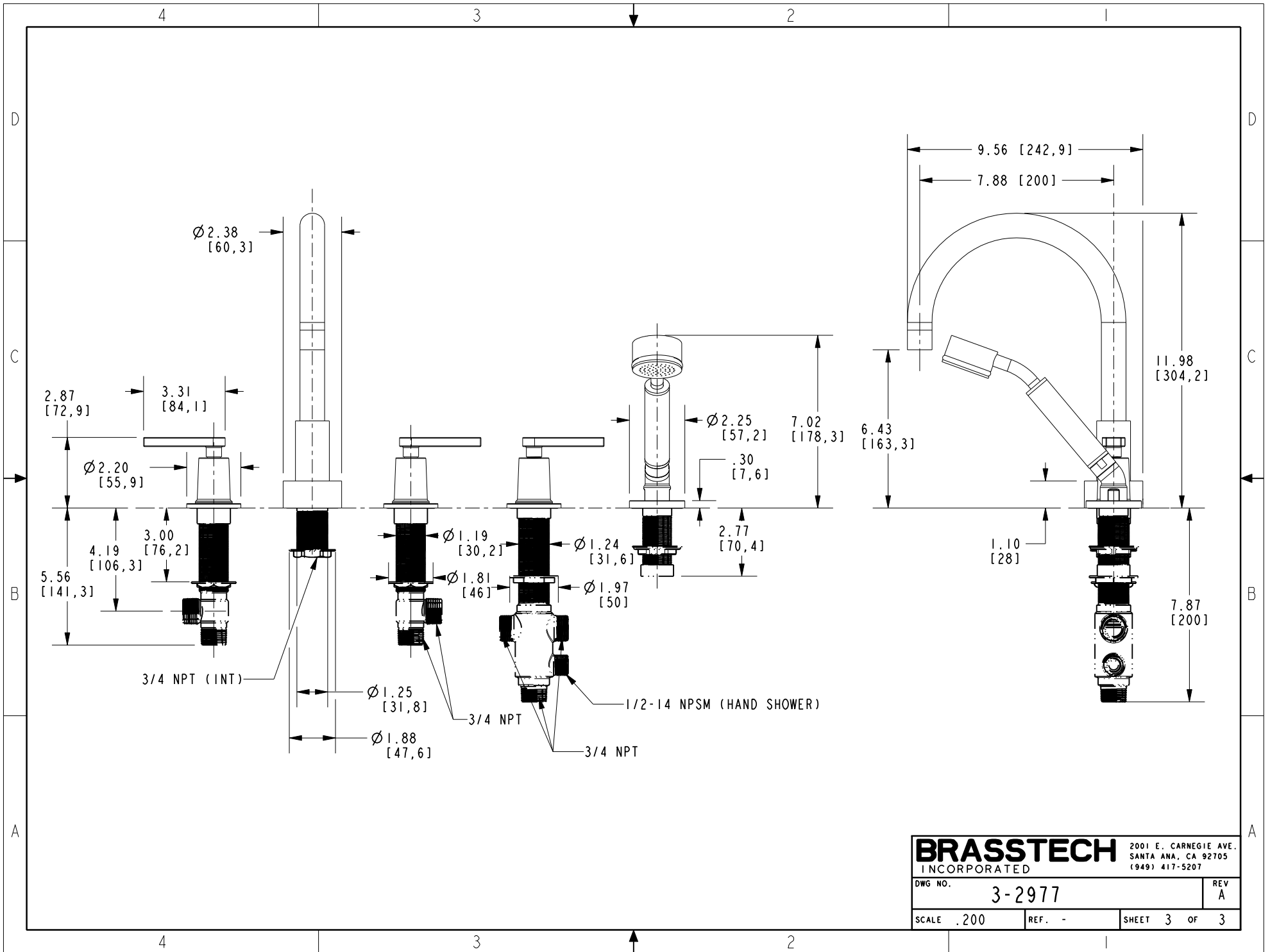
2

A

A



BRASSTECH		2001 E. CARNEGIE AVE.	
INCORPORATED		SANTA ANA, CA 92705	
		(949) 417-5207	
DWG NO.	3-2977	REV	A
SCALE .225	REF. -	SHEET 2	OF 3



BRASSTECH		2001 E. CARNEGIE AVE.
INCORPORATED		SANTA ANA, CA 92705
		(949) 417-5207
DWG NO.	3-2977	REV A
SCALE .200	REF. -	SHEET 3 OF 3