

4

3

2

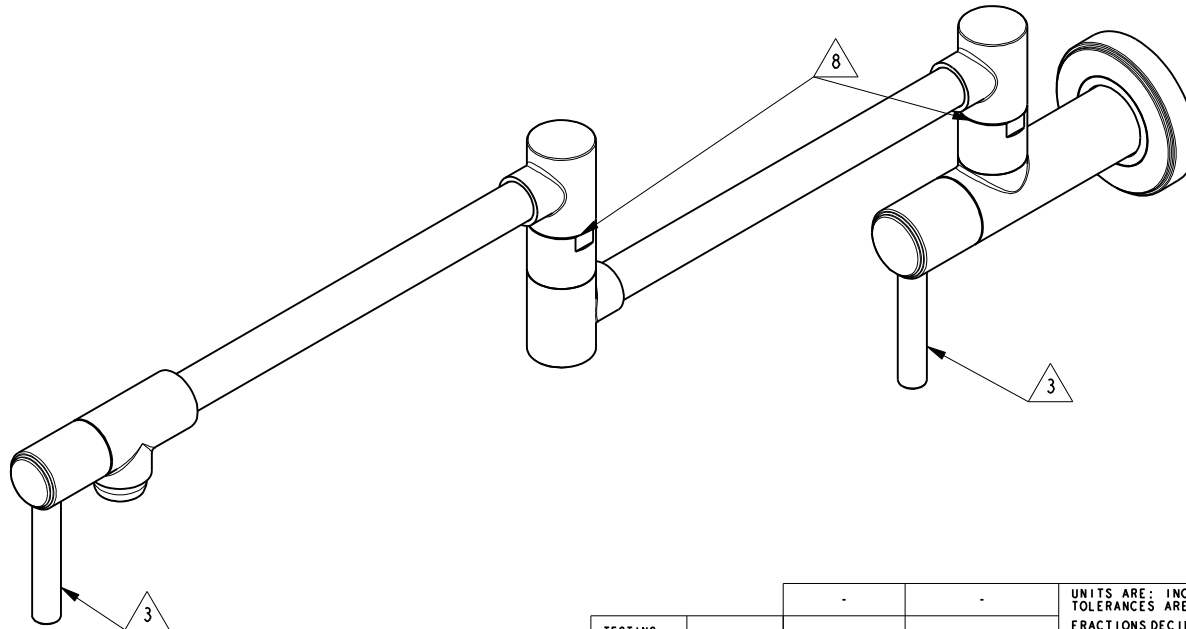
1

NOTES:

- (NI) 1. FIT / FORM / FUNCTION SHALL FOLLOW PS-E.008.
- 2. PACK THESE ITEMS IN A PLASTIC BAG.
- 3. HANDLE IN CLOSE POSITION.
- 4. INSTALLATION TORQUE 11-14 LB-FT.
- 5. INSTALLATION TORQUE 4-6 LB-FT.
- 6. APPLY LOCTITE 680.
- 7. APPLY LOCTITE 242
- 8. SWIVEL CONNECTION SHALL NOT HAVE NOTICEABLE WOBBLINESS AFTER ASSEMBLY.

BILL OF MATERIAL (CURRENT LEVEL)

ITEM	PT/ASSY	DESCRIPTION	TYPE	QTY.
1	11330	VALVE BODY, WALL-END	PART	1
2	11309	FLANGE, MOUNTING	PART	1
3	92231	SCRW, 1/4-20 X 1/4 SKT HD CUP PT SS	PART	1
4	92223	SCRW, #8 X 2-1/2 PHL FLT HD SS	PART	4
5	20-253	FLANGE ASM, CONTEMP	ASSEMBLY	1
6	2-553	LOWER ARM ASM, CONTEMP	ASSEMBLY	1
7	2-552	UPPER ARM ASM, CONTEMP	ASSEMBLY	1
8	91325	WSHR, .23 ID X .625 OD X .093 THK, FLT, NEOPRENE	PART	1
9	1-134	CARTR 3/8 HOT 1/4 TR	PART	1
10	12701	HUB, HANDLE, TIP-END	PART	1
11	92005	SCRW, 1/4-20 X 5/8 SKT HD CUP PT SS	PART	2
12	11017	LEVER HANDLE	PART	2
13	1-326	W/S CARTRIDGE FRICTION - HOT	PART	1
14	12700	HUB, HANDLE, WALL-END	PART	1
15	12750	ADAPTER	PART	2
16	92477	SCRW, M4 X 16 SKT FLT HD SS	PART	2



UNITS ARE: INCHES [MM]  
 TOLERANCES ARE:  
 FRACTIONS DECIMALS ANGLES  
 $\pm 1/16"$   $.X \pm .1$  [2,5]  $\pm 1"$   
 $.XX \pm .06$  [1,5]

**BRASSTECH** 2001 CARNEGIE AVE.  
 INCORPORATED SANTA ANA, CA 92705  
 (949) 417-5207

POT FILLER, CONTEMP

(X.XXX) DENOTES CRITICAL DIMS.  
 ALL THREADS ARE CRITICAL  
 DRAWN JINSON 11/23/18  
 CHECKED C.G. 11/23/18  
 APPROVED C.G. 11/23/18

DWG NO. 3180-5503 REV B  
 SCALE .300 REF. - SHEET 1 OF 3

ZONE	REV	DESCRIPTION	DATE	APPROVED
-	B	EN-3756	11/23/18	C.G.
-	A	EN-3693	08/28/18	J.M.
-	-	EN-3229	05/17/17	J.M.

COPYRIGHT 2005 BRASSTECH, INC.  
 THESE DRAWINGS AND THE DESIGNS  
 DEPICTED HEREIN ARE THE PROPRIETARY  
 PROPERTY OF BRASSTECH. ANY USE  
 OR REPRODUCTION IS SUBJECT TO  
 THE EXPRESS APPROVAL OF BRASSTECH.  
 UNAUTHORIZED USE IS STRICTLY  
 PROHIBITED. ALL RIGHTS RESERVED.

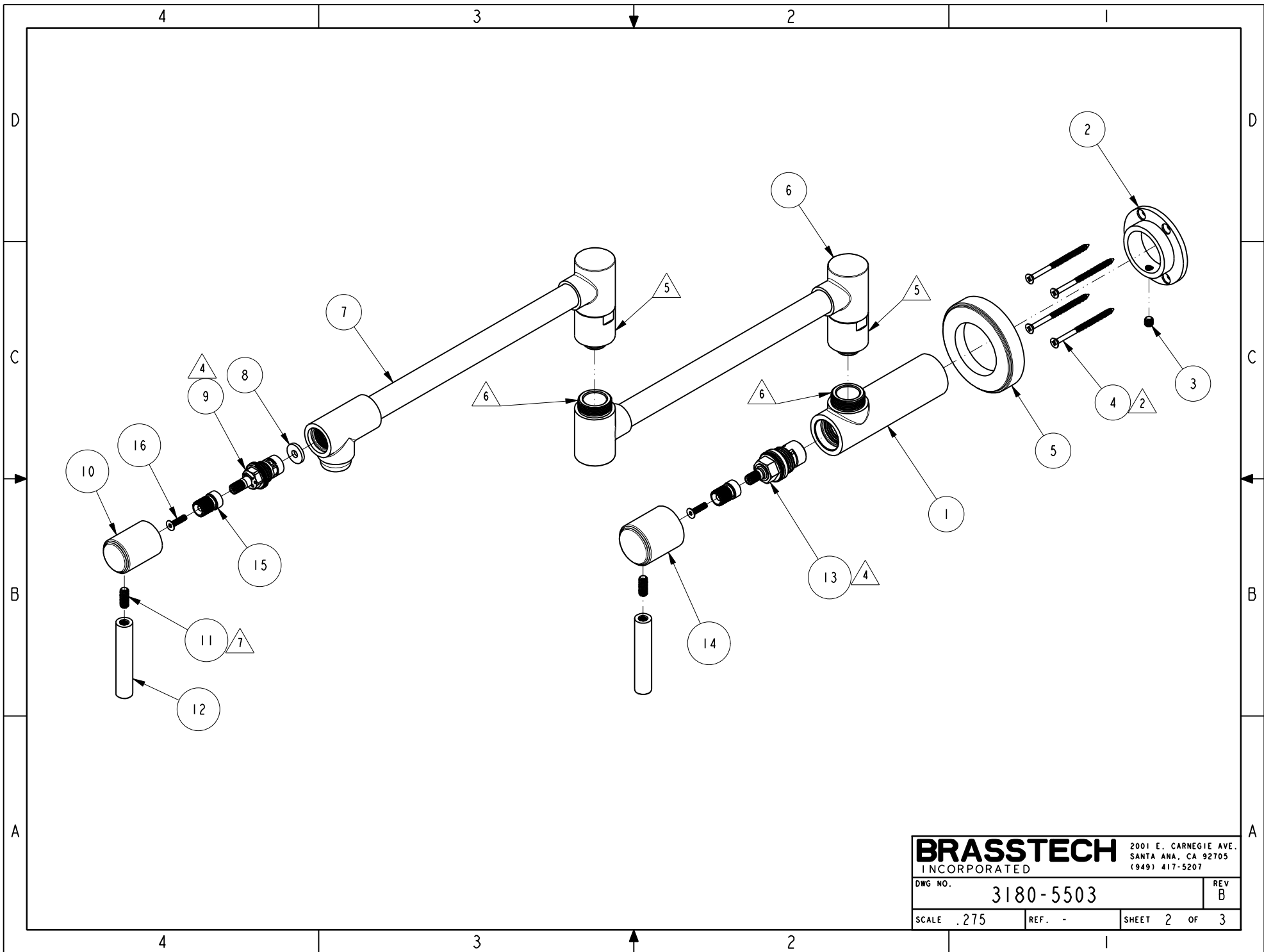
TESTING	ASSEMBLY	PLATING	POLISHING	MACHINING	TOOLING FIXTURE #	APPLICATION
-	-	-	-	-	-	REMOVE ALL BURRS AND SHARP EDGES

4

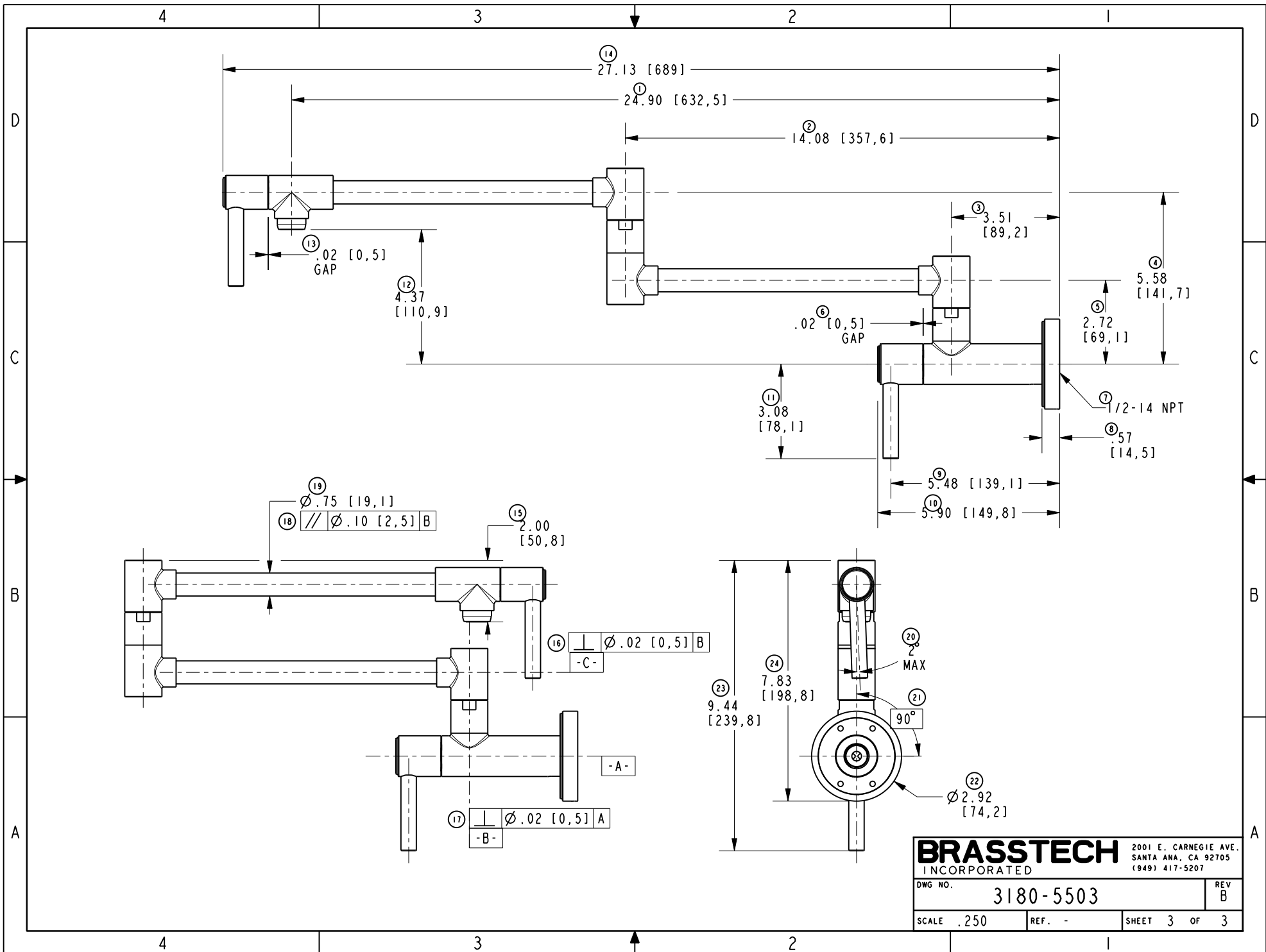
3

2

1



<b>BRASSTECH</b> INCORPORATED		2001 E. CARNEGIE AVE. SANTA ANA, CA 92705 (949) 417-5207	
DWG NO.	3180-5503	REV B	
SCALE .275	REF. -	SHEET 2 OF 3	



<b>BRASSTECH</b>		2001 E. CARNEGIE AVE. SANTA ANA, CA 92705 (949) 417-5207	
DWG NO.	3180-5503	REV	B
SCALE .250	REF. -	SHEET 3	OF 3