
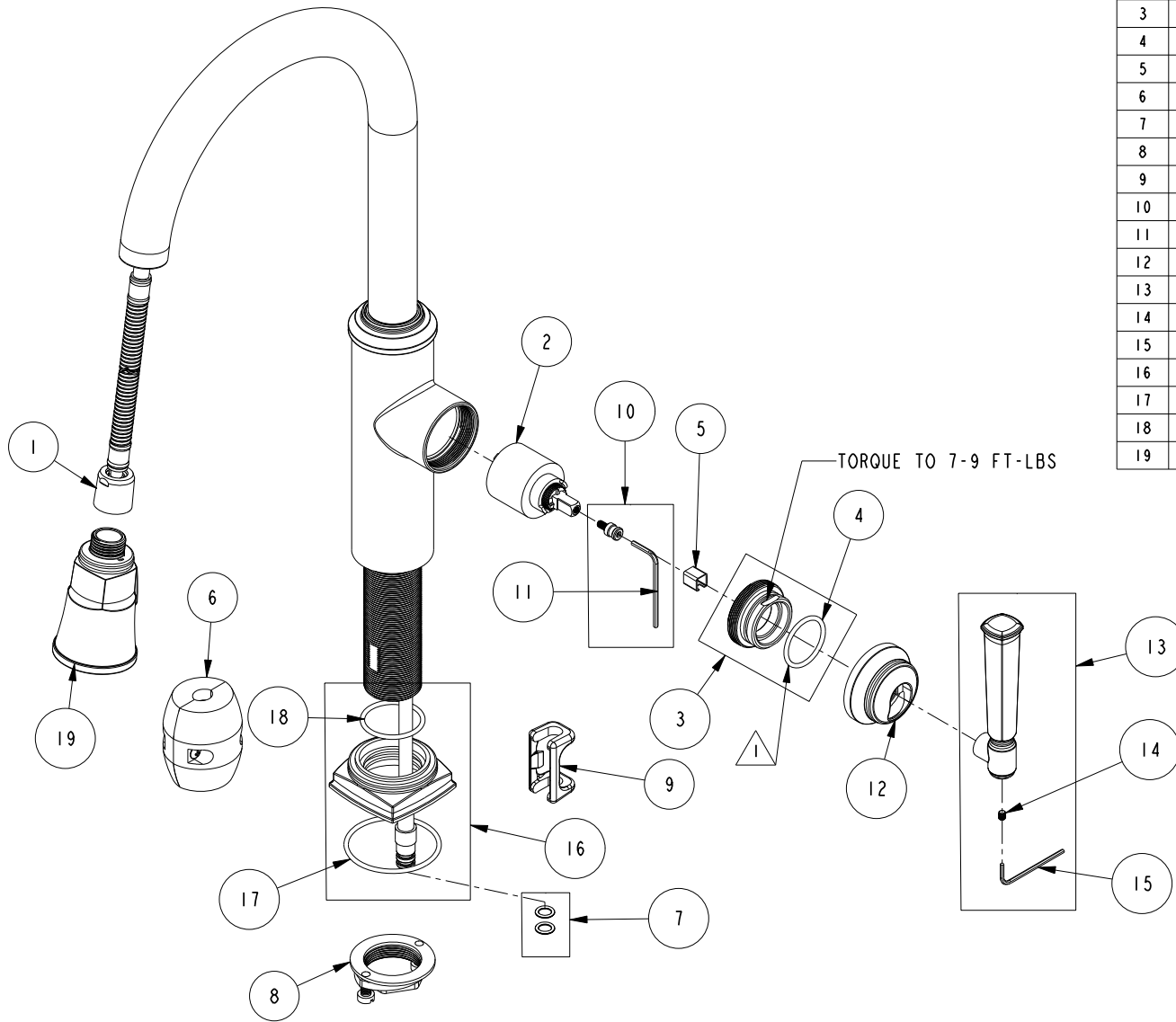


# REPLACEMENT PARTS

NOTE:

 USE SILICON GREASE (PART NUMBER 6727) TO LUBRICATE O-RINGS BEFORE INSTALL.



| ITEM | PT/ASSY | SPECIFY FINISH | DESCRIPTION                         |
|------|---------|----------------|-------------------------------------|
| 1    | 11877   |                | HOSE, PULLDOWN SWIVEL               |
| 2    | 1-064   |                | SINGLE LEVER CARTRIDGE              |
| 3    | 1-266   |                | CART. RETAINER ASM                  |
| 4    | 91608   |                | O-RING, #2-122, EPDM, 65-75 DURO    |
| 5    | 91534   |                | CARTRIDGE STEM INSERT               |
| 6    | 1-286   |                | WEIGHT ASM                          |
| 7    | 1-399   |                | O-RING KIT FOR SPOUT PEX CONNECTION |
| 8    | 1-256   |                | MOUNTING KIT                        |
| 9    | 91568   |                | RETAINER CLIP                       |
| 10   | 1-519   |                | HANDLE ADAPTER SCREW WITH HEX KEY   |
| 11   | 10159   |                | HEX KEY, 3/32 ALLOY STEEL           |
| 12   | 12842   | YES            | HANDLE HUB                          |
| 13   | 20-319  | YES            | HANDLE LEVER ASM                    |
| 14   | 92001   |                | SCRW, 8-32 X 3/16 SKT HD FLT PT SS  |
| 15   | 10192   |                | HEX KEY TOOL, #8 5/64               |
| 16   | 20-240  | YES            | BASE RING ASM                       |
| 17   | 91752   |                | O-RING, #2- 137, EPDM, 50 DURO      |
| 18   | 91227   |                | O-RING, #2-125 EPDM                 |
| 19   | 3-596   | YES            | SPRAY HEAD, TAFT                    |

**KITCHEN PULL DOWN**  
**3160-5103**

REV K EN-4766 01/17/24 APPROVED RS

**NEWPORT BRASS.**

t: 949.417.5207 | www.newportbrass.com