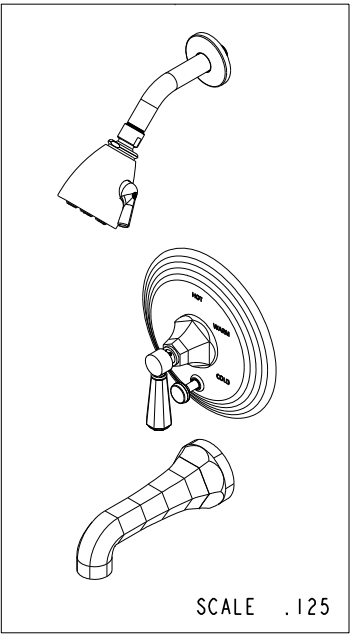
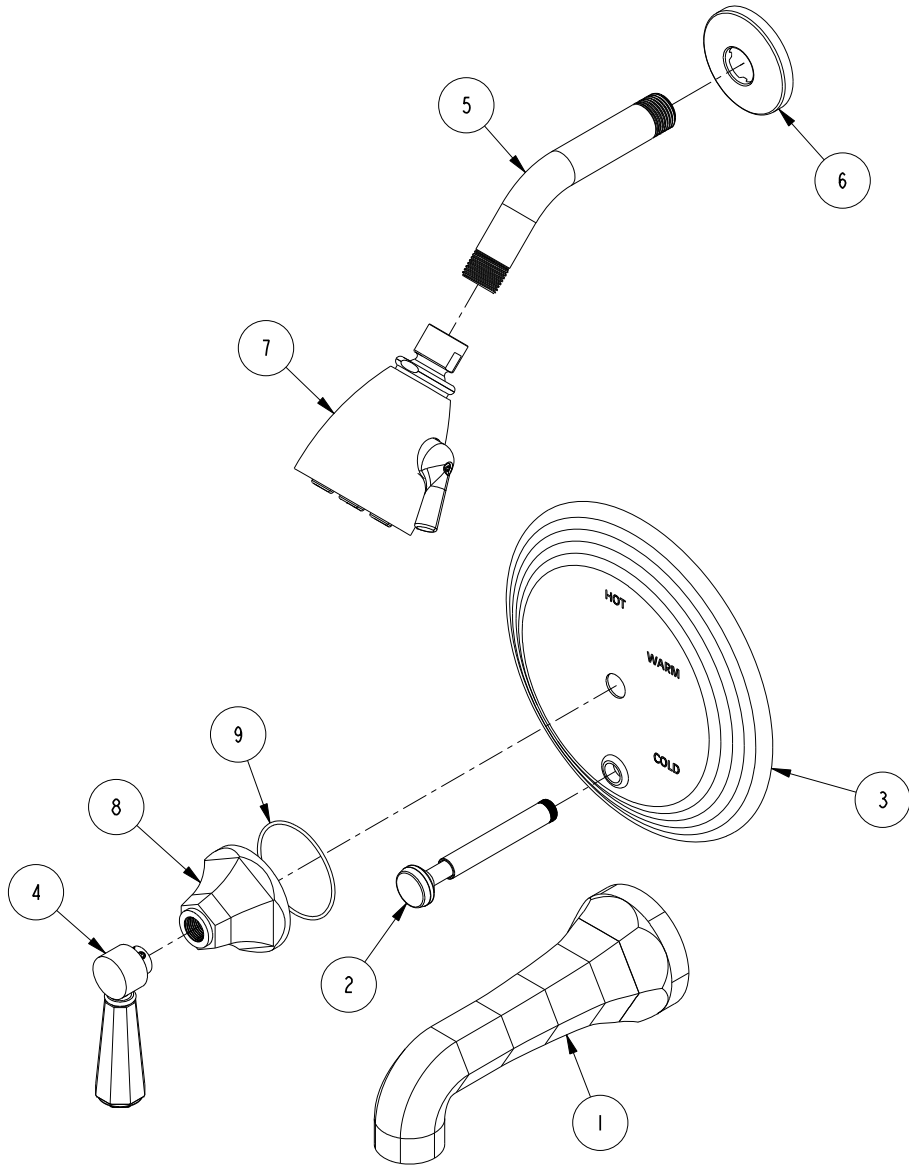


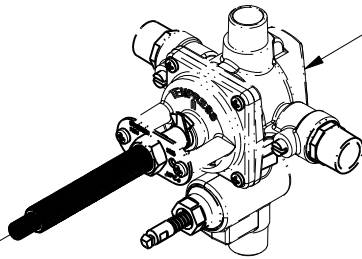
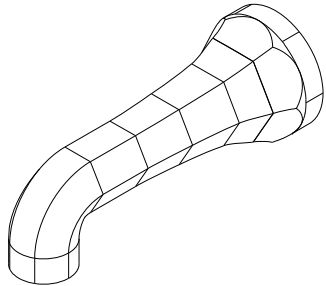
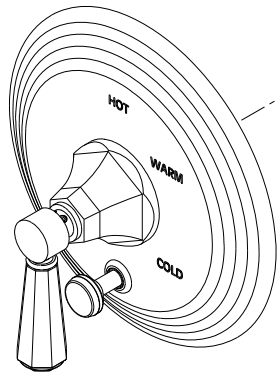
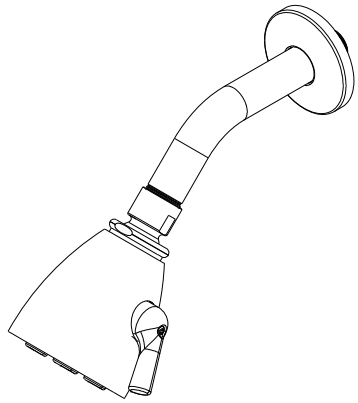
BILL OF MATERIAL (CURRENT LEVEL)				
ITEM	PT/ASSY	DESCRIPTION	TYPE	QTY.
1	2-144	WALL TUB SPOUT - HEX	ASSEMBLY	1
2	2-217	DIVERTER TRIM KIT	ASSEMBLY	1
3	2-224	COVERPLATE BP W/DIVERTER	ASSEMBLY	1
4	2-876	CRYSTAL HANDLE LEVER ASM	ASSEMBLY	1
5	200	SHOWER ARM 6" BRASS	PART	1
6	206	SHOWER ARM FLANGE	PART	1
7	212	SHOWER HEAD	ASSEMBLY	1
8	10960	HEX ESCUTCHEON	PART	1
9	91386	O-RING, #2-034, EPDM, 65-75 DURO	PART	1



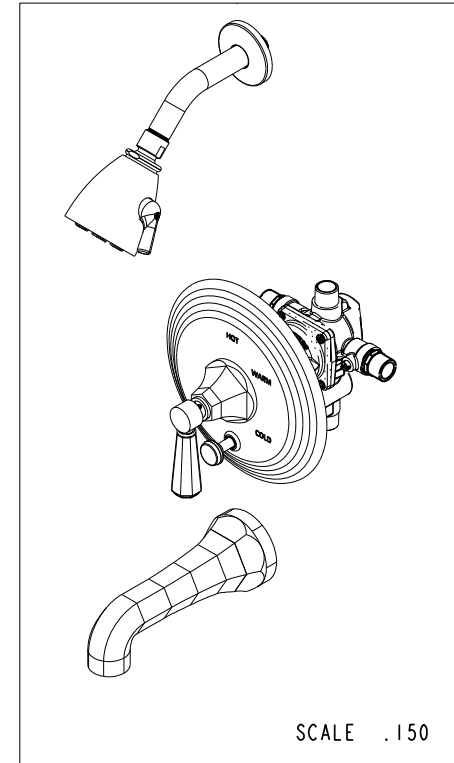
COPYRIGHT 2005 BRASSTECH, INC. THESE DRAWINGS AND THE DESIGNS DEPICTED HEREIN ARE THE PROPRIETARY PROPERTY OF BRASSTECH. ANY USE OR REPRODUCTION IS SUBJECT TO THE EXPRESS APPROVAL OF BRASSTECH. UNAUTHORIZED USE IS STRICTLY PROHIBITED. ALL RIGHTS RESERVED.

BRASSTECH INCORPORATED	2001 E. CARNEGIE AVE. SANTA ANA, CA 92705 (949) 417-5207	BP TUB & SHOWER TRIM SET		ASSY. NO. 3-1232BP		-	EN-2415	06/11/13
				SCALE .200	REF. -	SHEET 1 OF 3	REV	REV DESC

SPECIFICATION DWG



PN: 1-595
SOLD SEPARATELY



SCALE .150

DIMENSIONS ARE IN INCHES AND AN APPROXIMATION OF A TYPICAL INSTALLATION

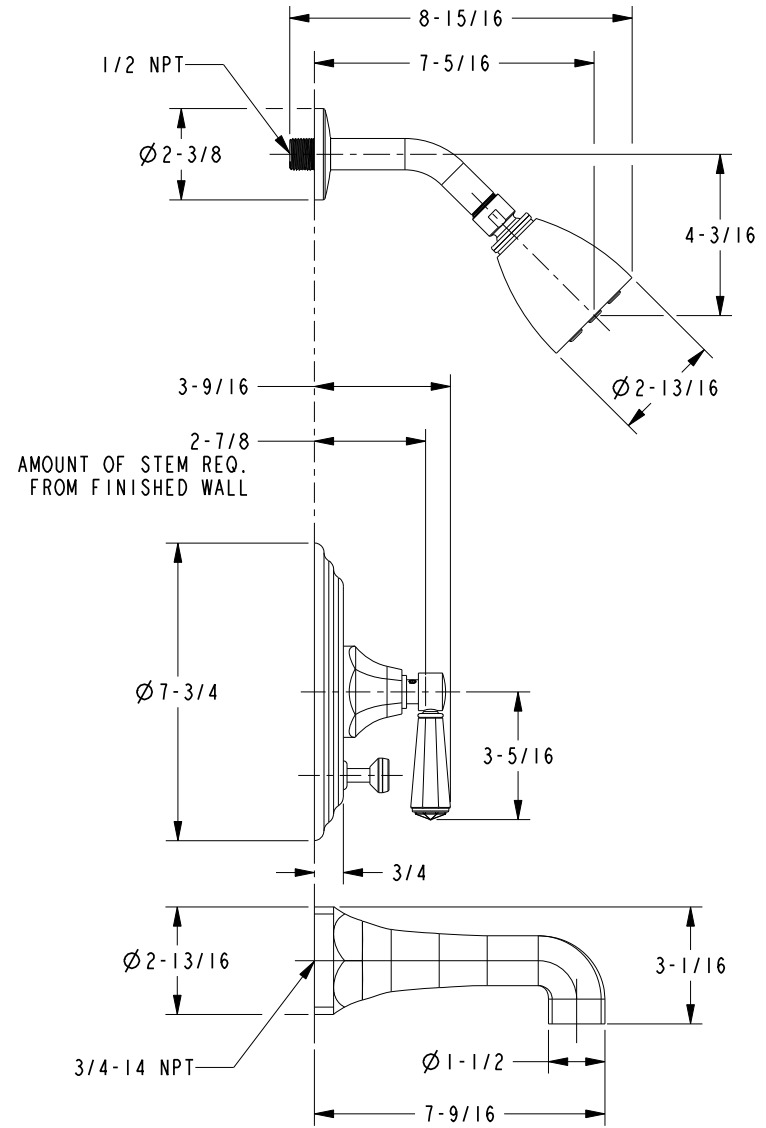
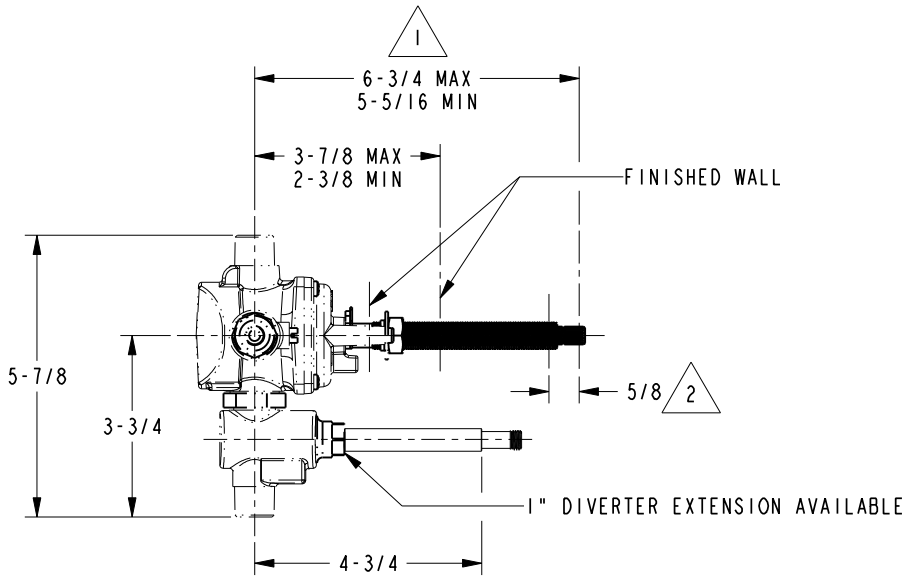
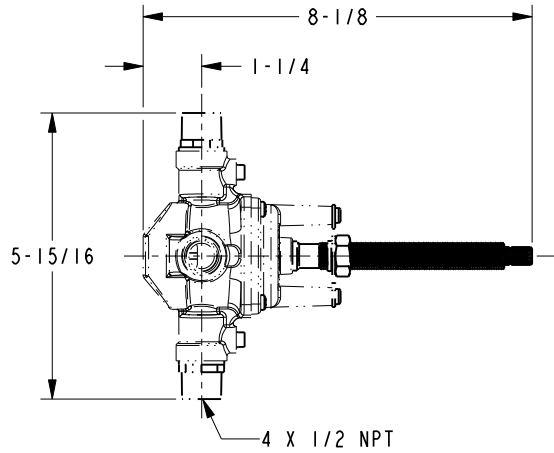
COPYRIGHT 2005 BRASSTECH, INC. THESE DRAWINGS AND THE DESIGNS DEPICTED HEREIN ARE THE PROPRIETARY PROPERTY OF BRASSTECH. ANY USE OR REPRODUCTION IS SUBJECT TO THE EXPRESS APPROVAL OF BRASSTECH. UNAUTHORIZED USE IS STRICTLY PROHIBITED. ALL RIGHTS RESERVED.

BRASSTECH		2001 CARNEGIE AVE. SANTA ANA, CA 92705 (949) 417-5207	
DWG NO.	3-1232BP		REV -
SCALE	.250	REF.	-
SHEET		2	OF 3

SPECIFICATION DWG

NOTES:

- 1 CUT STEM TO DIMENSION SHOWN.
- 2 CUT ALL-THREAD 5/8" SHORTER THAN STEM.



DIMENSIONS ARE IN INCHES AND AN APPROXIMATION OF A TYPICAL INSTALLATION

COPYRIGHT 2005 BRASSTECH, INC. THESE DRAWINGS AND THE DESIGNS DEPICTED HEREIN ARE THE PROPRIETARY PROPERTY OF BRASSTECH. ANY USE OR REPRODUCTION IS SUBJECT TO THE EXPRESS APPROVAL OF BRASSTECH. UNAUTHORIZED USE IS STRICTLY PROHIBITED. ALL RIGHTS RESERVED.

BRASSTECH 2001 CARNEGIE AVE.
INCORPORATED SANTA ANA, CA 92705
(949) 417-5207

DWG NO.	3-1232BP	REV	-
SCALE	.200	REF.	-
SHEET 3		OF 3	