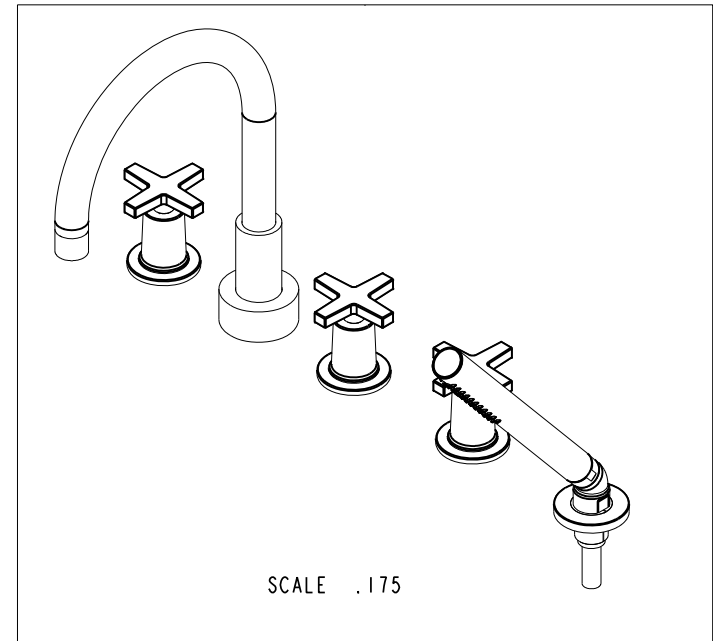
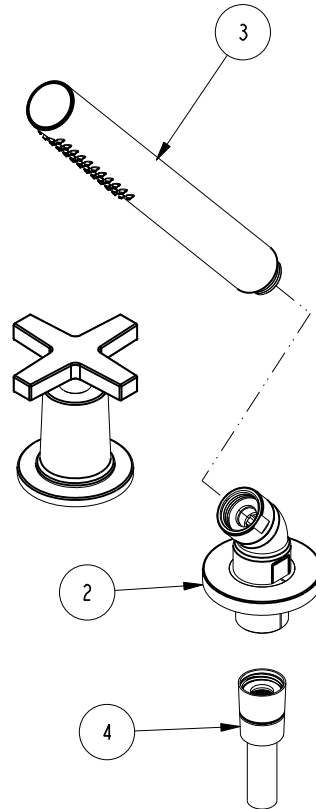
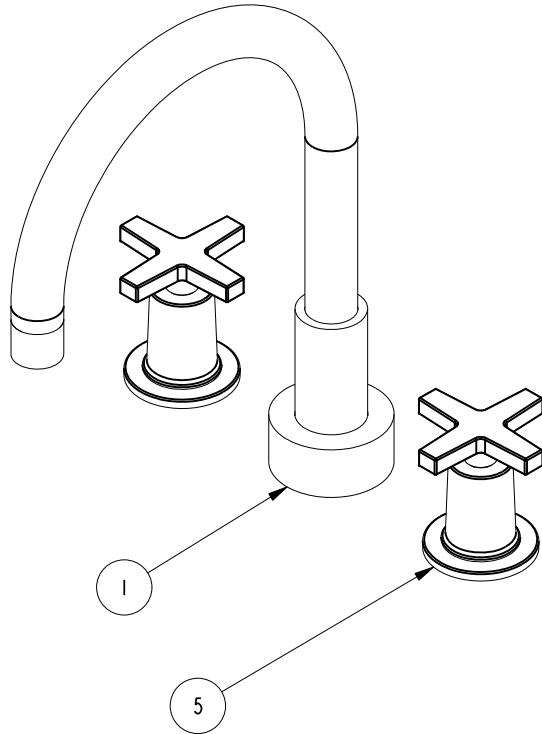


NOTES:

(NI) 1. FIT / FORM / FUNCTION SHALL FOLLOW PS-E.008.

BILL OF MATERIAL (CURRENT LEVEL)

ITEM	PT/ASSY	DESCRIPTION	TYPE	QTY.
1	3-225	R/T SPOUT ASM	ASSEMBLY	1
2	6-289-7	HANDSHOWER-ESC ASM	ASSEMBLY	1
3	283-101	ROUND WAND HANDSHOWER	ASSEMBLY	1
4	284	59 IN. SPIRAL SHOWER HOSE	ASSEMBLY	1
5	3-573	HANDLE AND ESCUTCHEON ASSEMBLY	ASSEMBLY	3



ZONE	REV	DESCRIPTION	DATE	APPROVED
-	B	EN-4014	10/30/19	V.V.
-	A	EN-3516	01/16/18	J.M.
-	-	EN-3041	07/27/16	J.M.

COPYRIGHT 2005 BRASSTECH, INC. THESE DRAWINGS AND THE DESIGNS DEPICTED HEREIN ARE THE PROPRIETARY PROPERTY OF BRASSTECH. ANY USE OR REPRODUCTION IS SUBJECT TO THE EXPRESS APPROVAL OF BRASSTECH. UNAUTHORIZED USE IS STRICTLY PROHIBITED. ALL RIGHTS RESERVED.

TESTING	-	-	-
ASSEMBLY	-	-	-
PLATING	-	-	-
POLISHING	-	NEXT ASSY	USED ON
MACHINING	-	APPLICATION	
TOOLING FIXTURE #		REMOVE ALL BURRS AND SHARP EDGES	

UNITS ARE: INCHES [MM]	
TOLERANCES ARE:	
FRACTIONS	DECIMALS
±1/16"	.X ±.1 [2.5]
	.XX ±.06 [1.5]
(X.XXX) DENOTES CRITICAL DIMS. ALL THREADS ARE CRITICAL	
DRAWN	JINSON 11/20/17
CHECKED	J.M. 11/20/17
APPROVED	J.M. 11/20/17

**BRASSTECH**  
INCORPORATED

2001 CARNEGIE AVE.  
SANTA ANA, CA 92705  
(949) 417-5207

ROMAN TUB FAUCET W/  
HANDSHOWER

DWG NO.

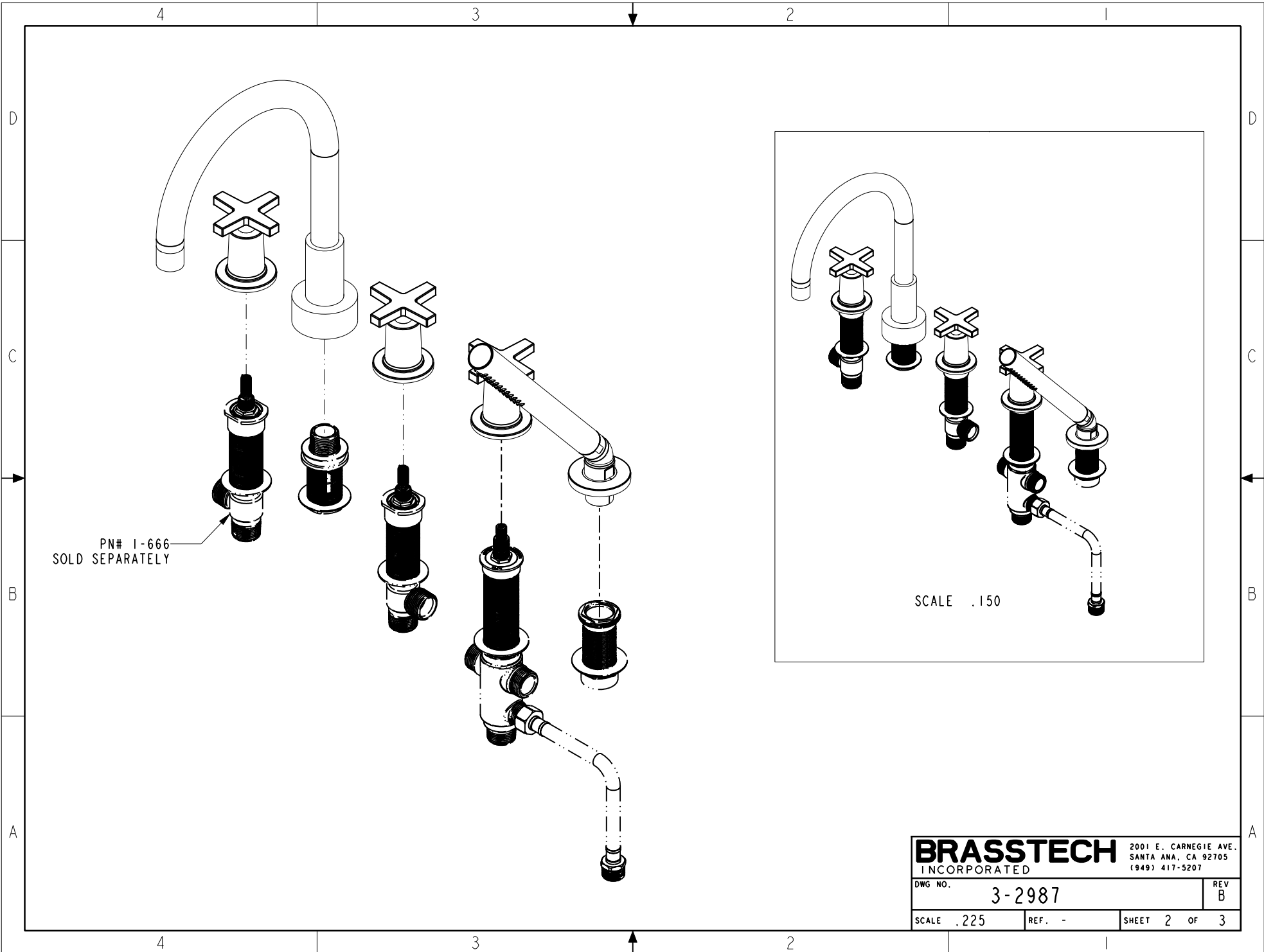
3-2987

REV  
B

SCALE .275

REF. -

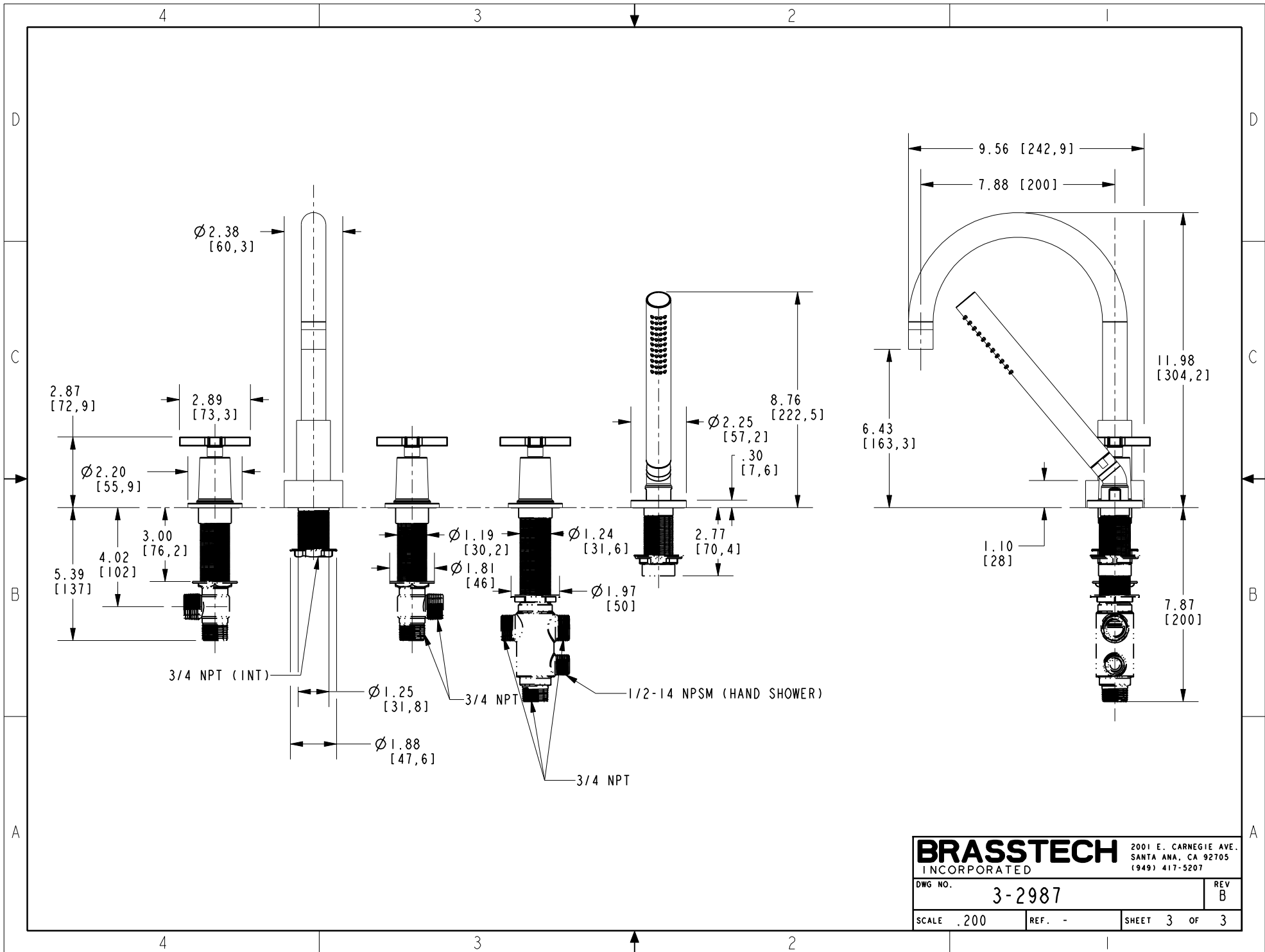
SHEET 1 OF 3



PN# 1-666  
SOLD SEPARATELY

SCALE .150

<b>BRASSTECH</b>		2001 E. CARNEGIE AVE. SANTA ANA, CA 92705 (949) 417-5207	
DWG NO.	3-2987	REV	B
SCALE .225	REF. -	SHEET 2	OF 3



<b>BRASSTECH</b>		2001 E. CARNEGIE AVE.	
INCORPORATED		SANTA ANA, CA 92705	
DWG NO. 3-2987		REV B	
SCALE .200	REF. -	SHEET 3 OF 3	