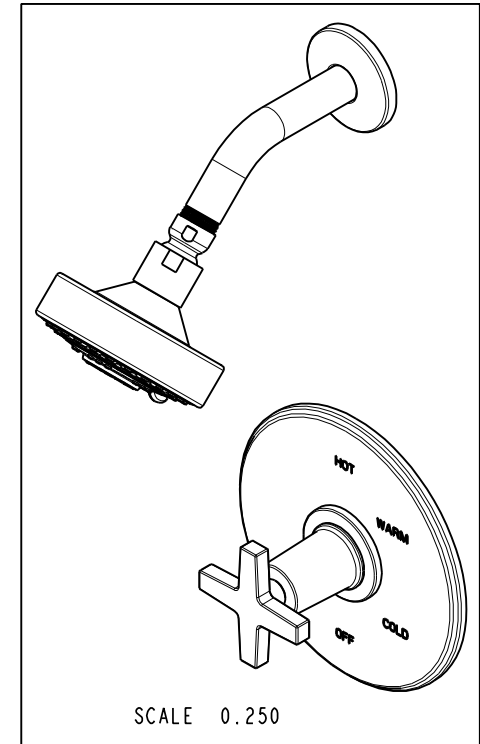
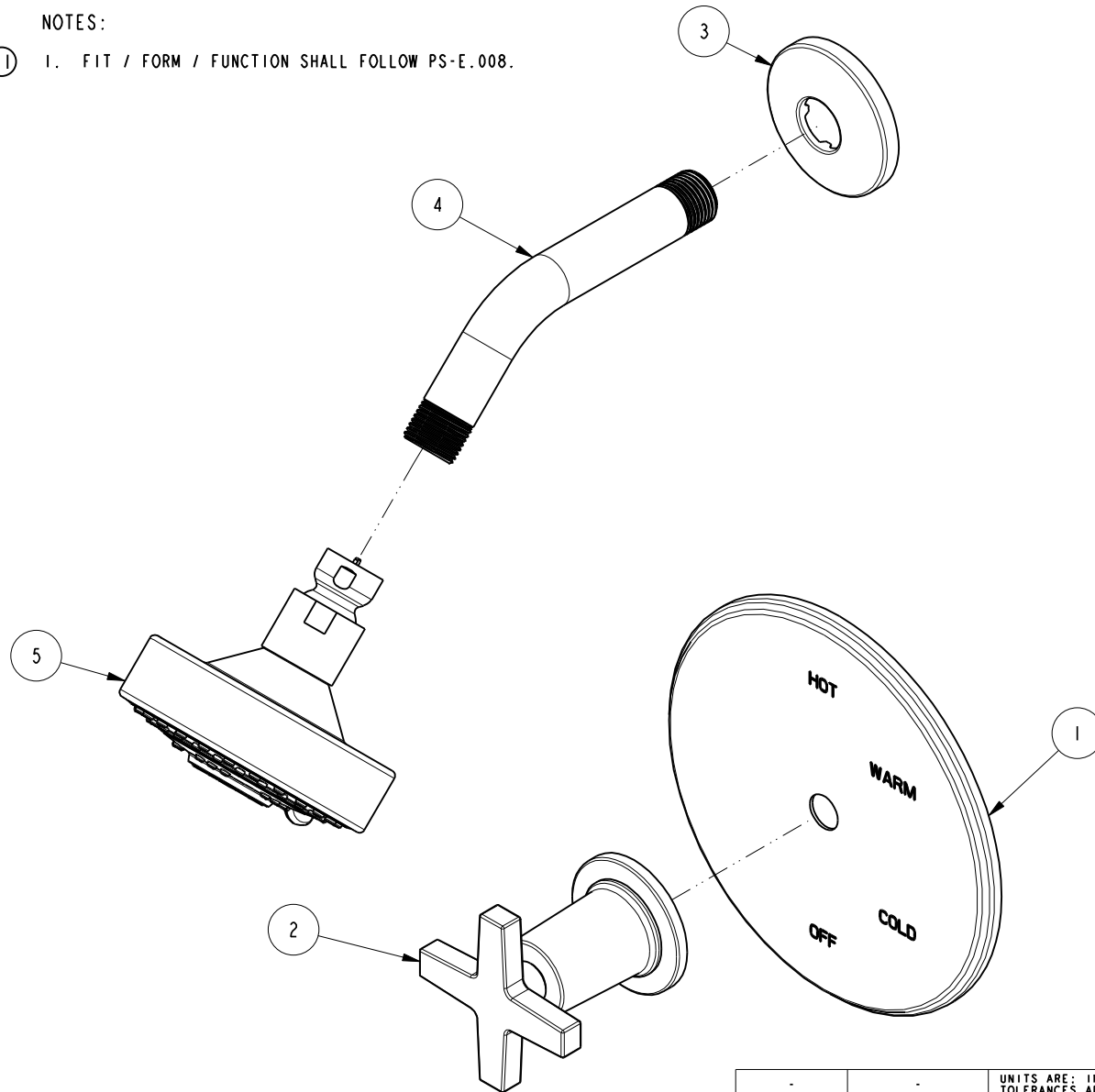


NOTES:

(N1) 1. FIT / FORM / FUNCTION SHALL FOLLOW PS-E.008.

BILL OF MATERIAL (CURRENT LEVEL)

ITEM	PT/ASSY	DESCRIPTION	TYPE	QTY.
1	2-439	COVERPLATE BP W/O DIVERTER	ASSEMBLY	1
2	3-573	HANDLE AND ESCUTCHEON ASSEMBLY	ASSEMBLY	1
3	206	SHOWER ARM FLANGE	PART	1
4	200	SHOWER ARM 6" BRASS	PART	1
5	2155	SHOWER HEAD, CONTEMP	ASSEMBLY	1



UNITS ARE: INCHES [MM]
 TOLERANCES ARE:
 FRACTIONS DECIMALS ANGLES
 $\pm 1/16"$.X $\pm .1$ [2.5] $\pm 1^\circ$
 $\pm .001$.XX $\pm .06$ [1.5]

(X.XXX) DENOTES CRITICAL DIMS.
 ALL THREADS ARE CRITICAL

DRAWN RAVINDRA 07/27/16
 CHECKED JINSON 07/27/16
 APPROVED J.M 07/27/16

BRASSTECH 2001 CARNEGIE AVE.
 INCORPORATED SANTA ANA, CA 92705
 (949) 417-5207

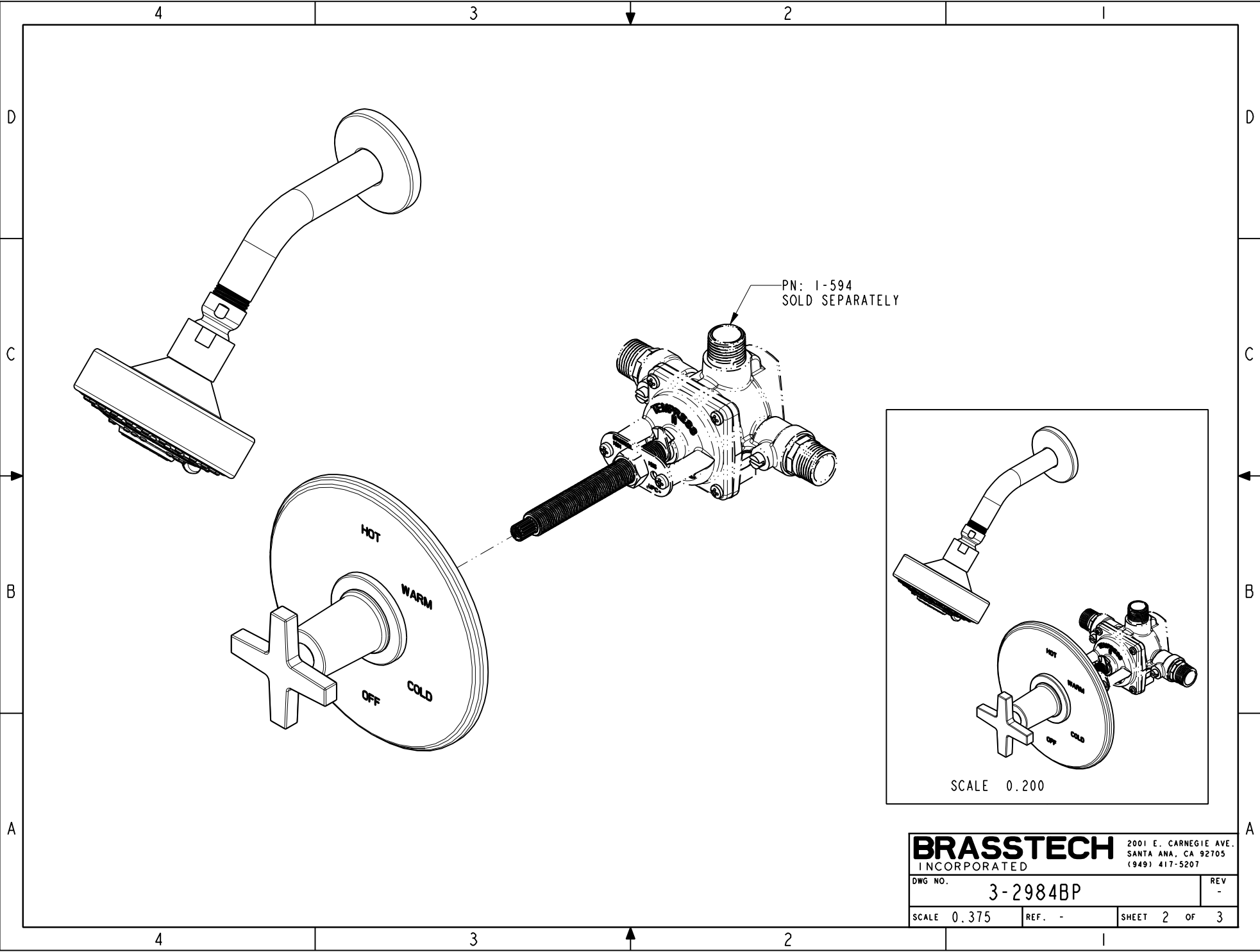
BP TUB & SHOWER TRIM SET

DWG NO. 3-2984BP REV -
 SCALE 0.400 REF. - SHEET 1 OF 3

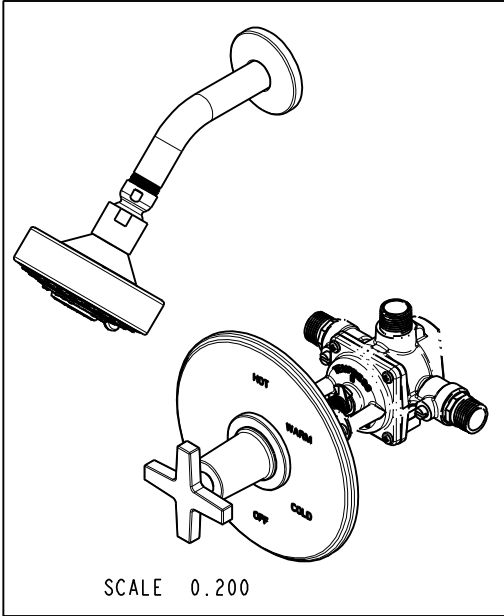
COPYRIGHT 2005 BRASSTECH, INC.
 THESE DRAWINGS AND THE DESIGNS
 DEPICTED HEREIN ARE THE PROPRIETARY
 PROPERTY OF BRASSTECH. ANY USE
 OR REPRODUCTION IS SUBJECT TO
 THE EXPRESS APPROVAL OF BRASSTECH.
 UNAUTHORIZED USE IS STRICTLY
 PROHIBITED. ALL RIGHTS RESERVED.

TESTING	ASSEMBLY	PLATING	POLISHING	MACHINING	TOOLING FIXTURE #	APPLICATION
-	-	-	-	-	-	REMOVE ALL BURRS AND SHARP EDGES

ZONE	REV	DESCRIPTION	DATE	APPROVED
-	-	EN-3041	07/28/16	J.M



PN: 1-594
SOLD SEPARATELY



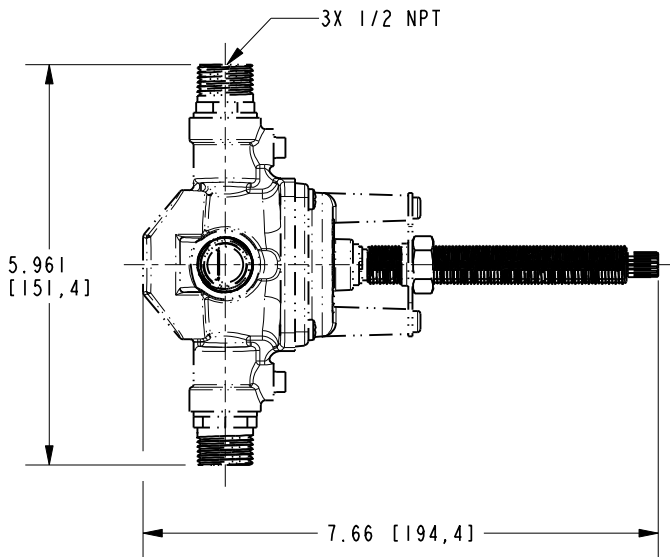
SCALE 0.200

BRASSTECH		2001 E. CARNEGIE AVE.	
INCORPORATED		SANTA ANA, CA 92705	
DWG NO. 3-2984BP		REV -	
SCALE 0.375	REF. -	SHEET 2 OF 3	

NOTES:

1. CUT ALL-THREAD .75" SHORTER THAN STEM.

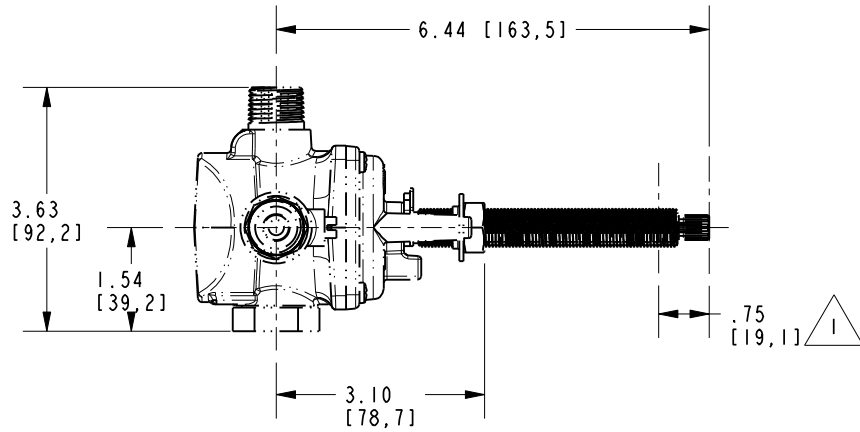
D



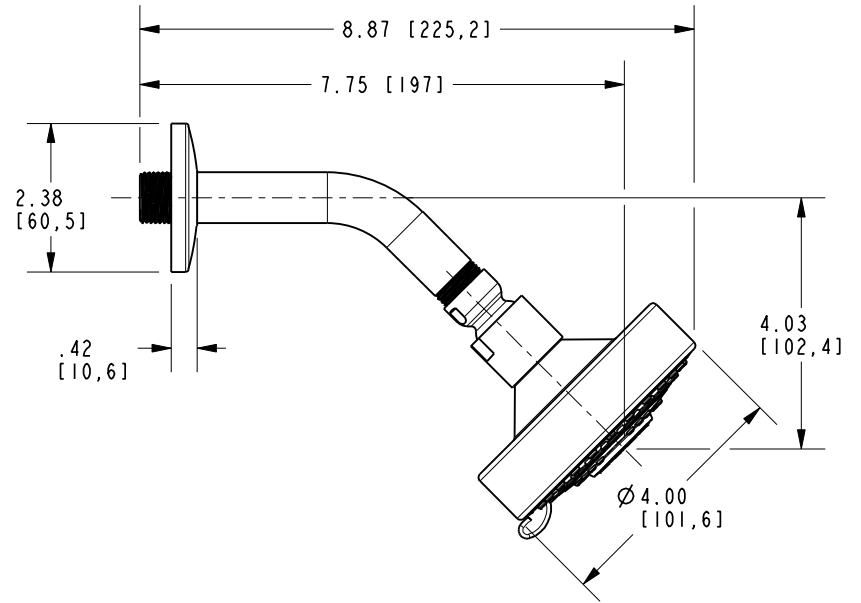
C

B

A



2

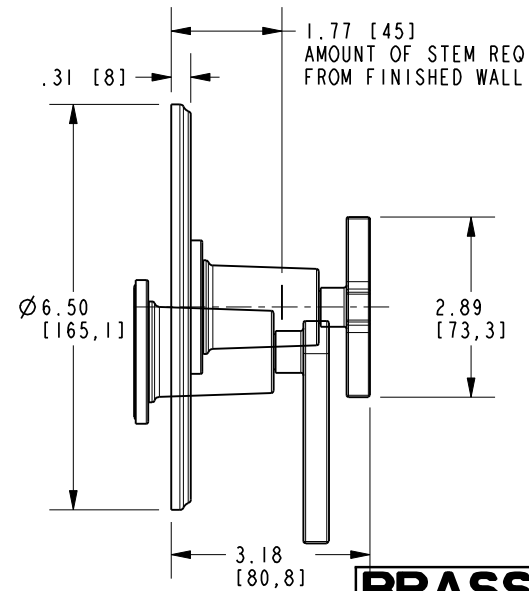


D

C

B

A



BRASSTECH		2001 E. CARNEGIE AVE.	
INCORPORATED		SANTA ANA, CA 92705	
DWG NO. 3-2984BP		REV -	
SCALE 0.083	REF. -	SHEET 3 OF 3	

4

3

2

1