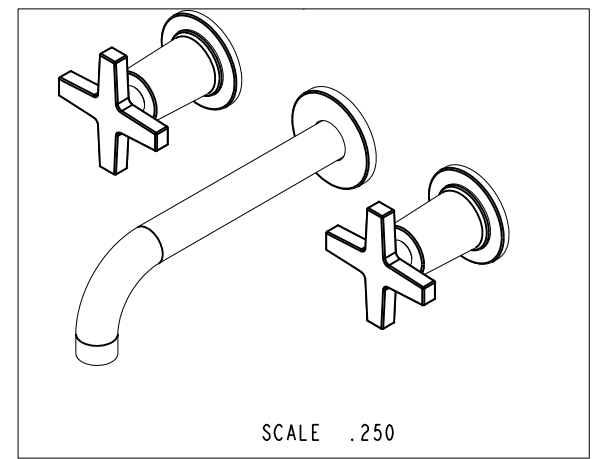
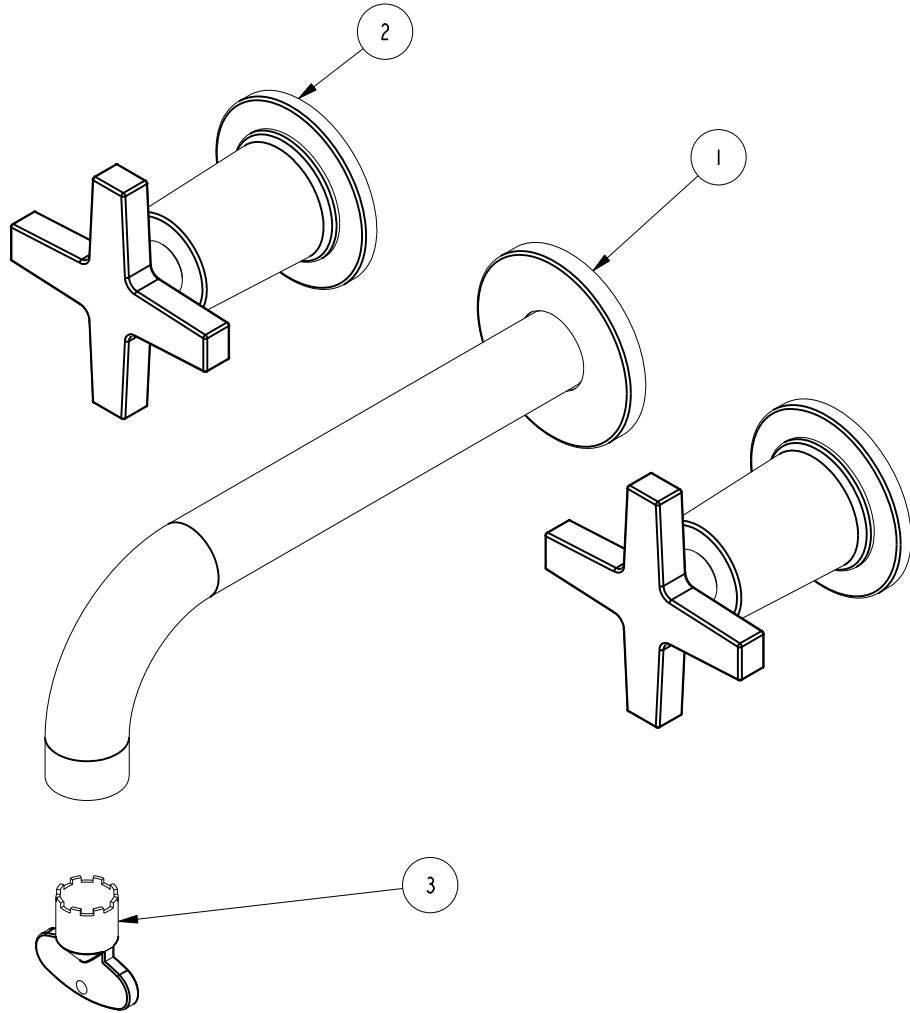


NOTES:

(NI) 1. FIT / FORM / FUNCTION SHALL FOLLOW PS-E.008.

BILL OF MATERIAL (CURRENT LEVEL)

ITEM	PT/ASSY	DESCRIPTION	TYPE	QTY.
1	3-578	W/M SPOUT & ESCUTCHEON ASM	ASSEMBLY	1
2	3-573	HANDLE AND ESCUTCHEON ASSEMBLY	ASSEMBLY	2
3	91571	AERATOR KEY	PART	1



TESTING	-	-	-
ASSEMBLY	-	-	-
PLATING	-	-	-
POLISHING	-	NEXT ASSY	USED ON
MACHINING	-	APPLICATION	
TOOLING FIXTURE #	REMOVE ALL BURRS AND SHARP EDGES		

BRASSTECH 2001 CARNEGIE AVE.
INCORPORATED SANTA ANA, CA 92705
(949) 417-5207

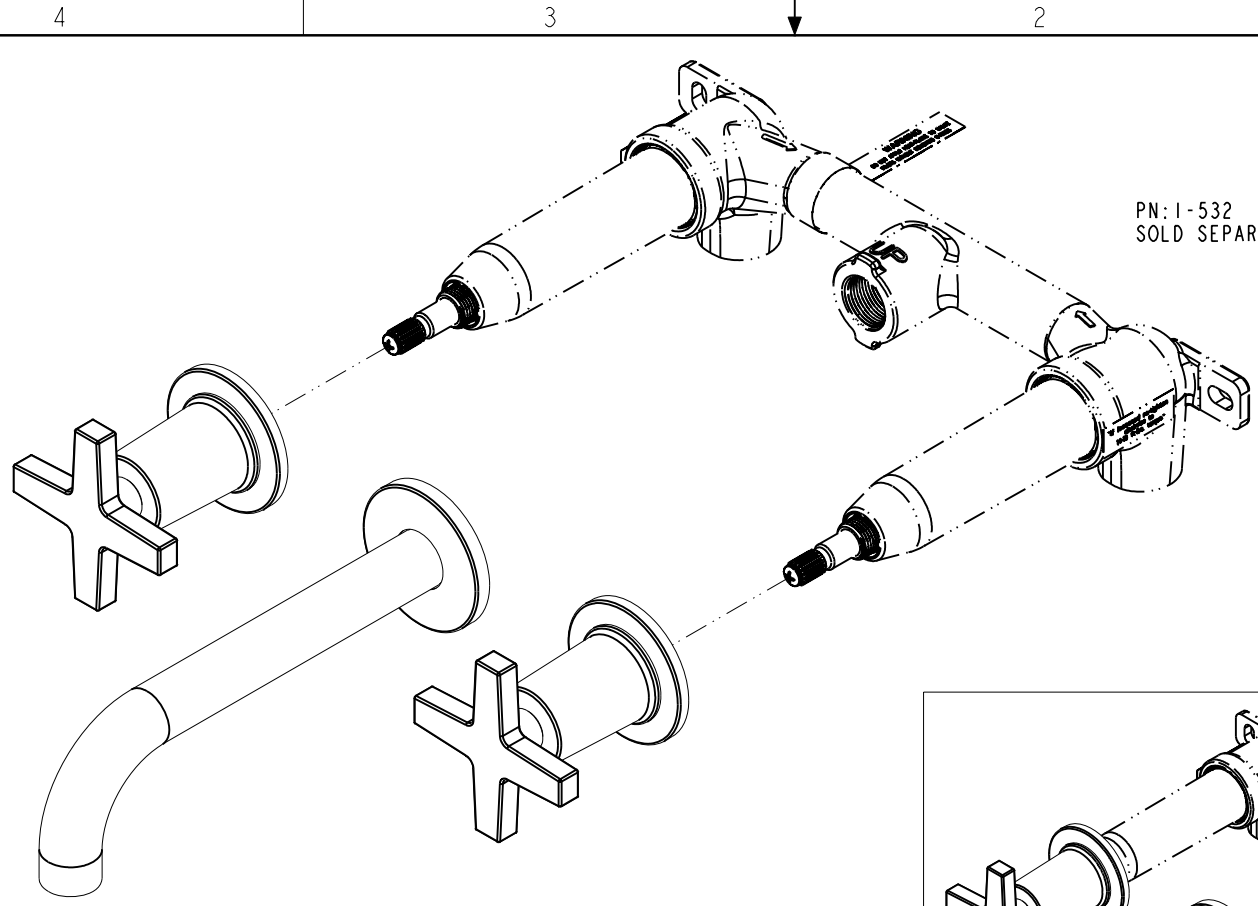
WALL MOUNT LAV FAUCET

DWG NO. **3-2981** REV **A**

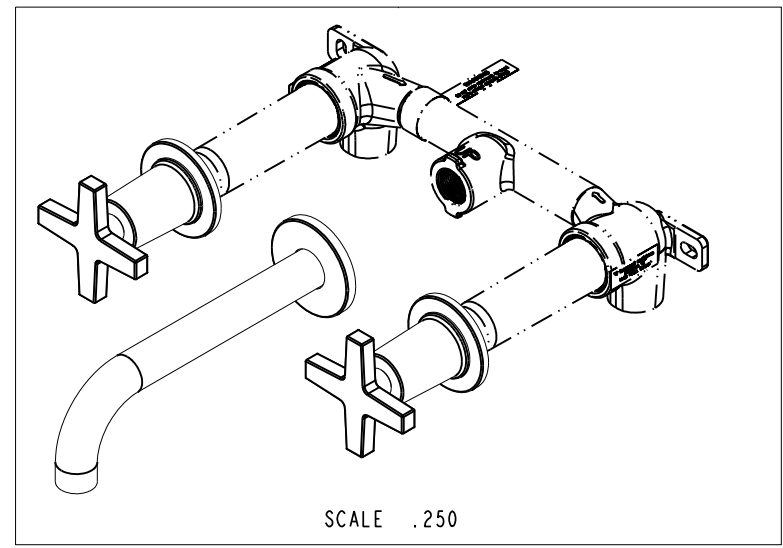
SCALE **.375** REF. - SHEET **1** OF **3**

COPYRIGHT 2005 BRASSTECH, INC. THESE DRAWINGS AND THE DESIGNS DEPICTED HEREIN ARE THE PROPRIETARY PROPERTY OF BRASSTECH. ANY USE OR REPRODUCTION IS SUBJECT TO THE EXPRESS APPROVAL OF BRASSTECH. UNAUTHORIZED USE IS STRICTLY PROHIBITED. ALL RIGHTS RESERVED.

ZONE	REV	DESCRIPTION	DATE	APPROVED
-	A	EN-3601	05/07/18	V.V.
-	-	EN-3041	09/29/16	J.M.



PN: 1-532
SOLD SEPARATELY



SCALE .250

BRASSTECH		2001 E. CARNEGIE AVE.	
INCORPORATED		SANTA ANA, CA 92705	
DWG NO. 3-2981		REV A	
SCALE .375	REF. -	SHEET 2 OF 3	

NOTES:

- 1. CUT STEM AS SHOWN.
- 2. CUT ALL THREADS .75" SHORTER THAN STEM.

