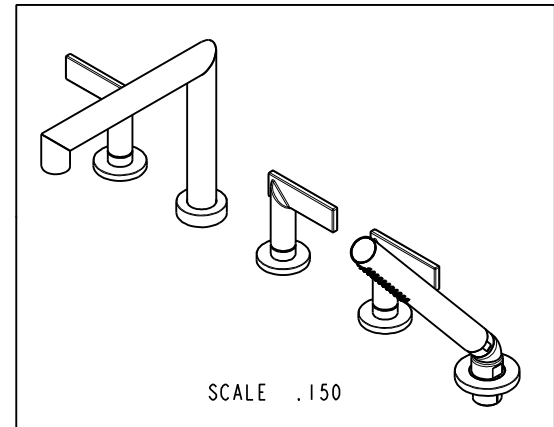
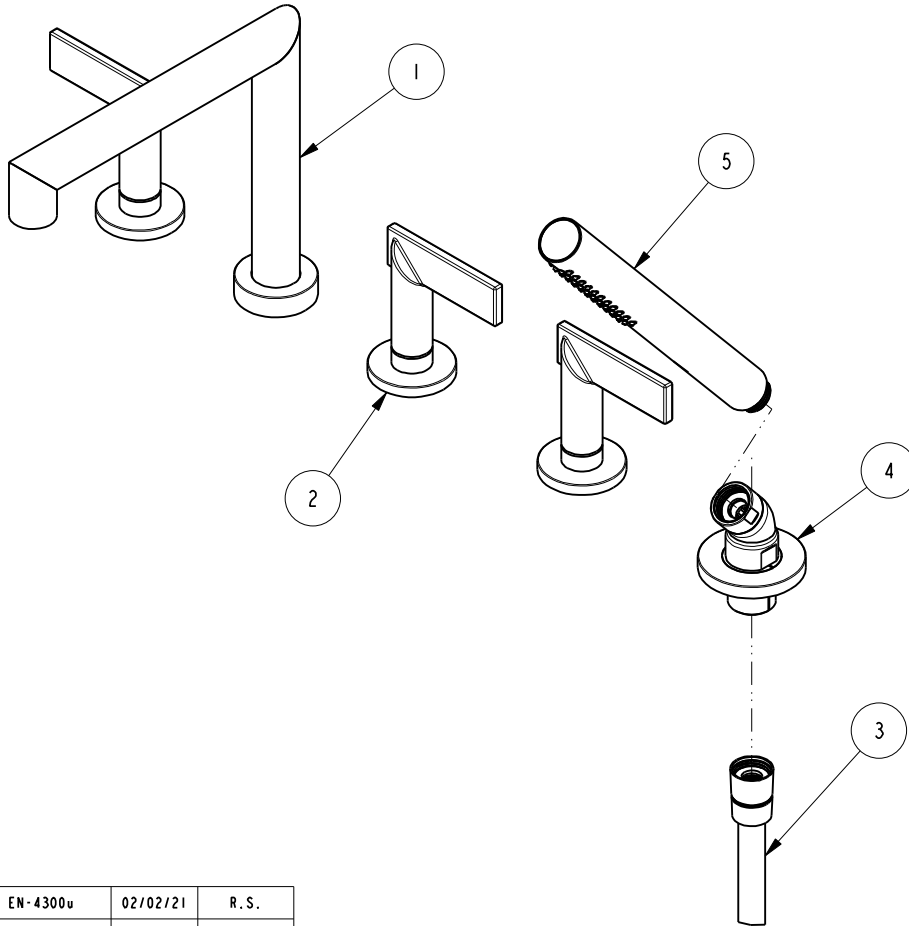


NOTES:

1. TO INSPECT ASSEMBLY, FOLLOW FIRST ARTICLE AND IN PROCESS INSPECTION SHEET.

BILL OF MATERIAL (CURRENT LEVEL)

ITEM	PT/ASSY	DESCRIPTION	TYPE	QTY.
1	3-403	RT MITER SPOUT ASSY	ASSEMBLY	1
2	3-608	LEVER HADNLE	ASSEMBLY	3
3	284	59 IN. SPIRAL SHOWER HOSE	ASSEMBLY	1
4	6-289-7	HANDSHOWER-ESC ASM	ASSEMBLY	1
5	283-101	ROUND WAND HANDSHOWER	ASSEMBLY	1



-	J	EN-4300u	02/02/21	R.S.
-	H	EN-3397	06/05/18	J.A.
-	G	EN-3334	01/18/18	J.A.
-	F	EN-2541-1	09/05/14	-
-	E	EN-2188A	12/12/12	-
-	D	EN-2233	07/30/12	-
-	C	EN-2143	01/18/12	-
-	B	EN-2036	01/17/12	-
-	A	EN-1839	08/09/11	-
-	-	EN-0995-3	01/31/11	-
ZONE	REV	DESCRIPTION	DATE	APPROVED

COPYRIGHT 2005 BRASSTECH, INC. THESE DRAWINGS AND THE DESIGNS DEPICTED HEREIN ARE THE PROPRIETARY PROPERTY OF BRASSTECH. ANY USE OR REPRODUCTION IS SUBJECT TO THE EXPRESS APPROVAL OF BRASSTECH. UNAUTHORIZED USE IS STRICTLY PROHIBITED. ALL RIGHTS RESERVED.

TESTING	-	-	-
ASSEMBLY	-	-	-
PLATING	-	-	-
POLISHING	-	NEXT ASSY	USED ON
MACHINING	-	APPLICATION	
TOOLING FIXTURE #	REMOVE ALL BURRS AND SHARP EDGES		

UNITS ARE: INCHES [MM]
TOLERANCES ARE:
FRACTIONS DECIMALS ANGLES
±1/16" .X ±.1 [2.5] ±1°
.XX ±.06 [1.5]

(X.XXX) DENOTES CRITICAL DIMS.
ALL THREADS ARE CRITICAL

DRAWN	JINSON	02/02/21
CHECKED	R.S.	02/02/21
APPROVED	R.S.	02/02/21

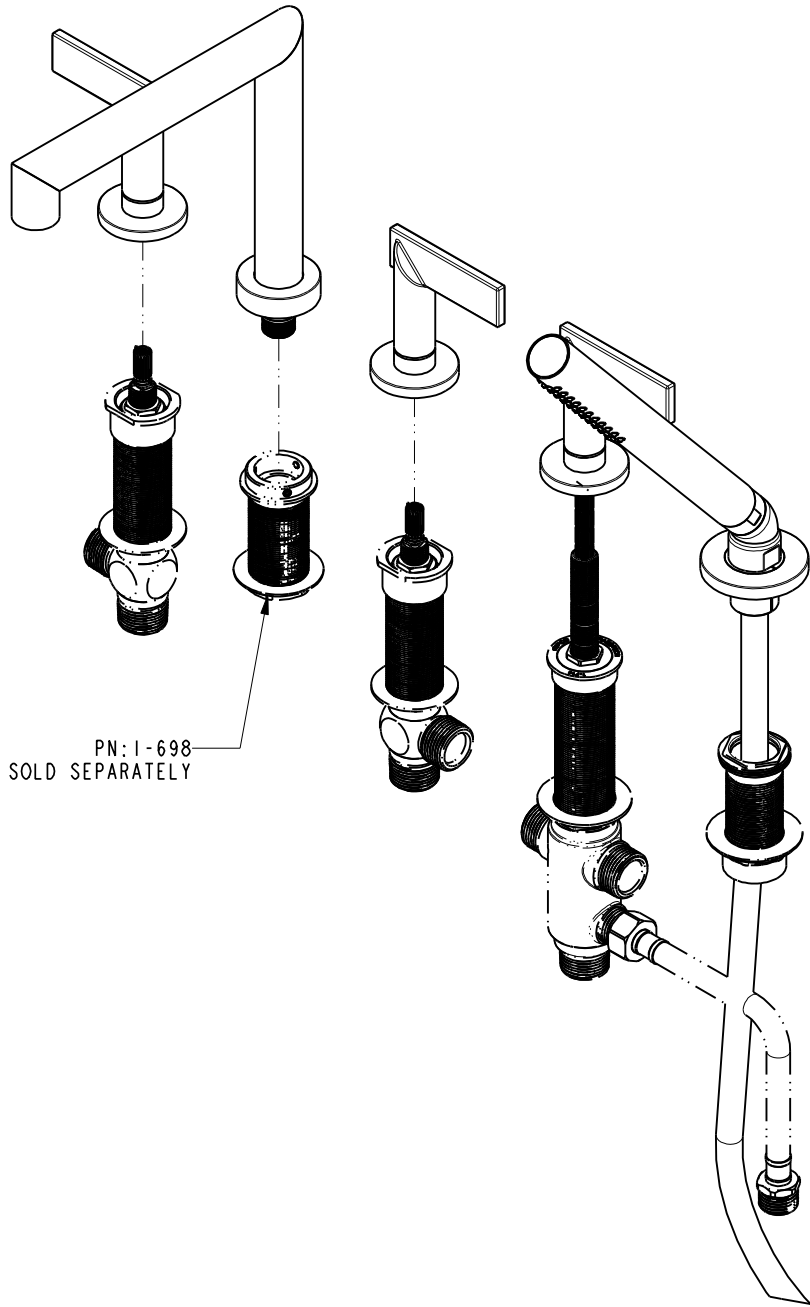
BRASSTECH 2001 CARNEGIE AVE.
INCORPORATED SANTA ANA, CA 92705
(949) 417-5207

R/T BATH SET W/HAND SHOWER

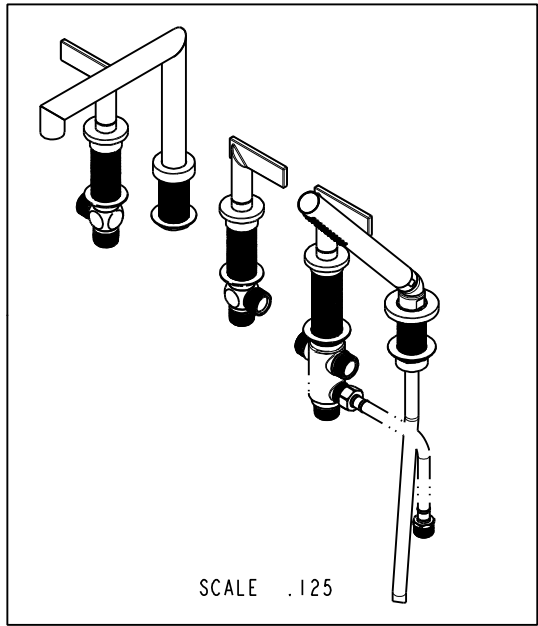
DWG NO. 3-2497

SCALE .250 REF. SHEET 1 OF 3

REV J



PN: 1-698
SOLD SEPARATELY



SCALE .125

BRASSTECH		2001 CARNEGIE AVE. SANTA ANA, CA 92705 (949) 417-5207	
INCORPORATED			
DWG NO.	3-2497	REV	J
SCALE .250	REF. -	SHEET 2 OF 3	

