

4

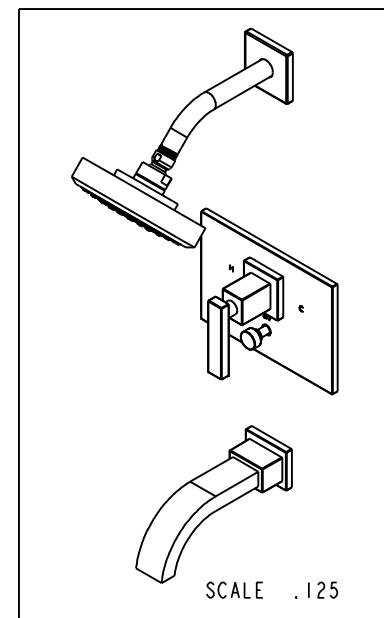
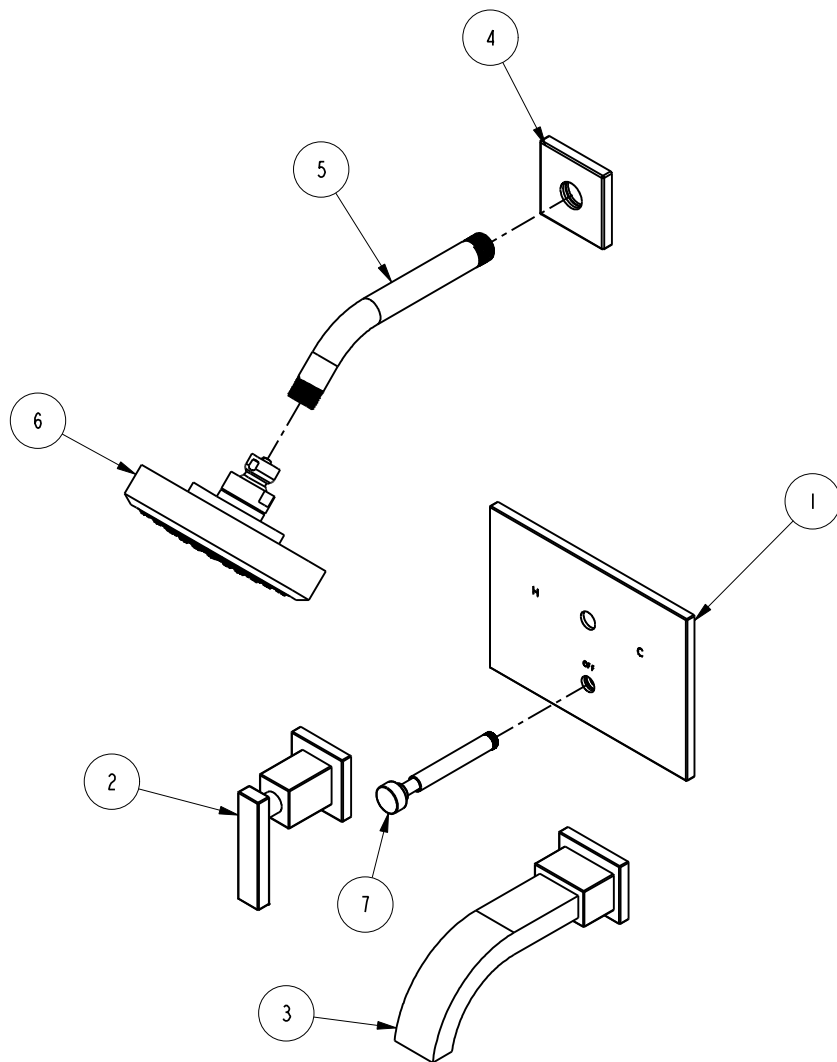
3

2

1

## BILL OF MATERIAL (CURRENT LEVEL)

ITEM	PT/ASSY	DESCRIPTION	TYPE	QTY.
1	2-641	BP TUB SHOWER PLATE ASSEMBLY	ASSEMBLY	1
2	3-368	HANDLE AND ESCUTCHEON ASSEMBLY	ASSEMBLY	1
3	3-328	TUB WALL SPOUT ASM	ASSEMBLY	1
4	2-640	FLANGE ASSEMBLY	ASSEMBLY	1
5	50822	8" SHWR ARM (201)	PART	1
6	2141	CONTEMP. SHOWER HEAD - SINGLE JET	ASSEMBLY	1
7	2-618	DIVERTER TRIM KIT	ASSEMBLY	1



COPYRIGHT 2005 BRASSTECH, INC. THESE DRAWINGS AND THE DESIGNS DEPICTED HEREIN ARE THE PROPRIETARY PROPERTY OF BRASSTECH. ANY USE OR REPRODUCTION IS SUBJECT TO THE EXPRESS APPROVAL OF BRASSTECH. UNAUTHORIZED USE IS STRICTLY PROHIBITED. ALL RIGHTS RESERVED.

**BRASSTECH**  
INCORPORATED

2001 E. CARNEGIE AVE.  
SANTA ANA, CA 92705  
(949) 417-5207

BP TUB/SHOWER (LESS HALF) SET

ASSY. NO.		3-2042BP		-	-	-
SCALE	REF.	SHEET	OF	REV	REV DESC	DATE
.188	-	1	3	-	EN-1265	10/30/09

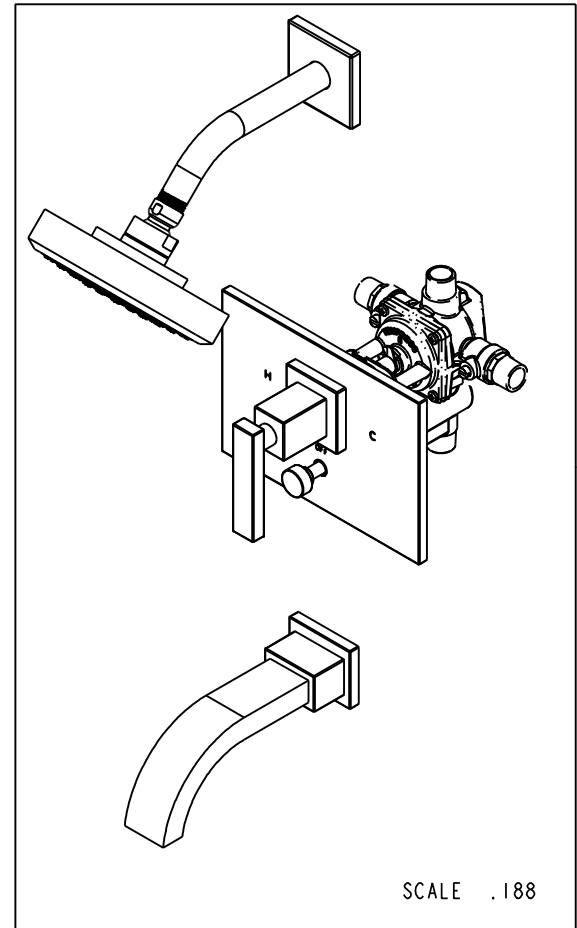
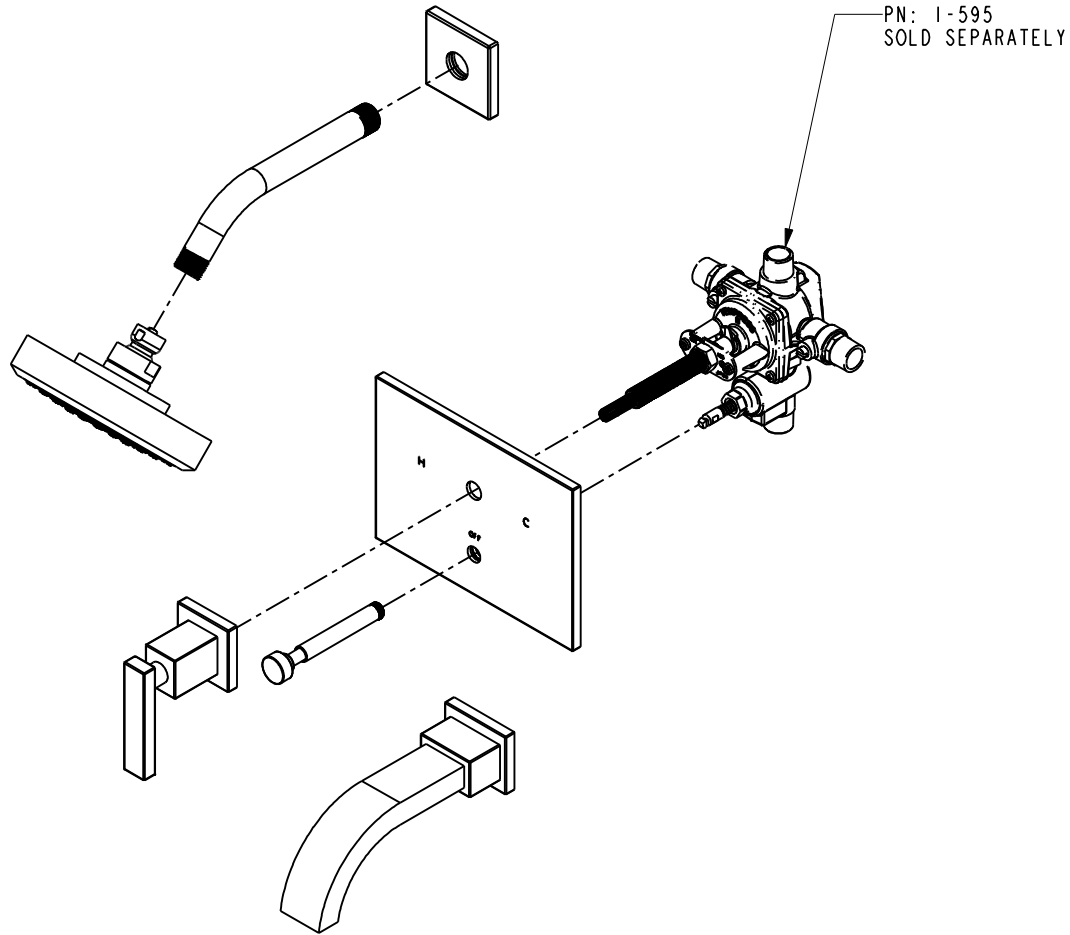
4

3

2

1

**SPECIFICATION DWG**



DIMENSIONS ARE IN INCHES AND AN APPROXIMATION OF A TYPICAL INSTALLATION

COPYRIGHT 2005 BRASSTECH, INC. THESE DRAWINGS AND THE DESIGNS DEPICTED HEREIN ARE THE PROPRIETARY PROPERTY OF BRASSTECH. ANY USE OR REPRODUCTION IS SUBJECT TO THE EXPRESS APPROVAL OF BRASSTECH. UNAUTHORIZED USE IS STRICTLY PROHIBITED. ALL RIGHTS RESERVED.

<b>BRASSTECH</b>		2001 E. CARNEGIE AVE. SANTA ANA, CA 92705 (949) 417-5207	
DWG NO.	3-2042BP		REV -
SCALE .188	REF. -	SHEET 2 OF 3	

**SPECIFICATION DWG**

**NOTES:**

1 CUT STEM TO DIMENSION SHOWN.

2 CUT ALL-THREAD 3/4" SHORTER THAN STEM

D

C

B

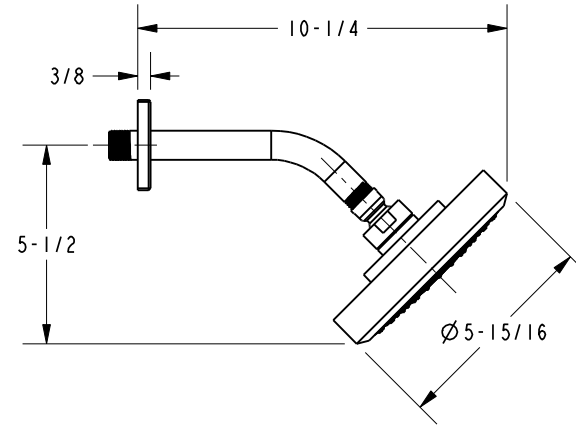
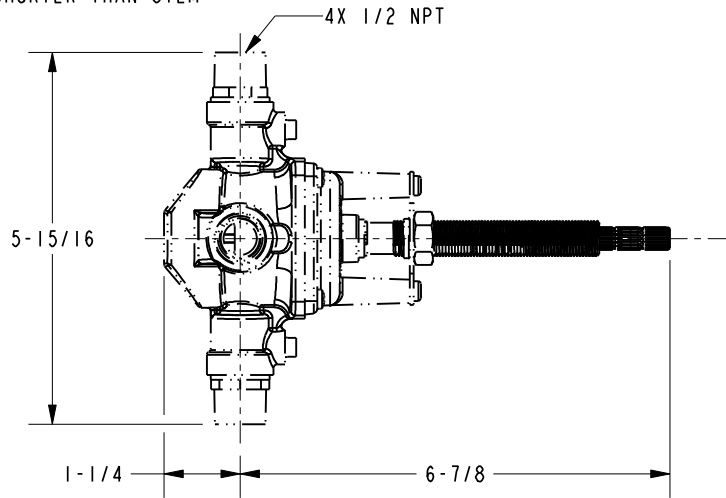
A

D

C

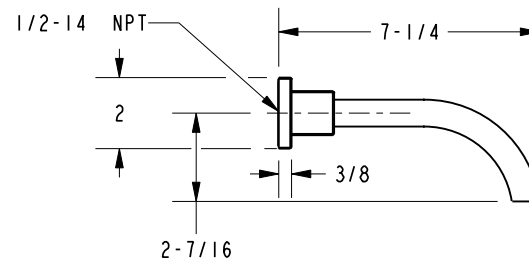
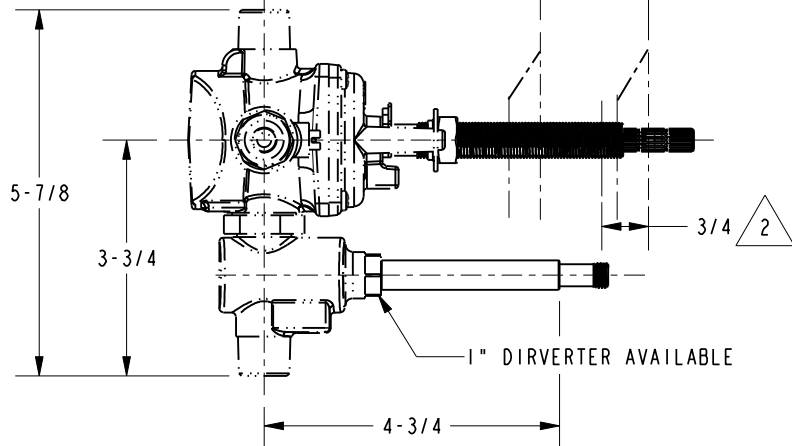
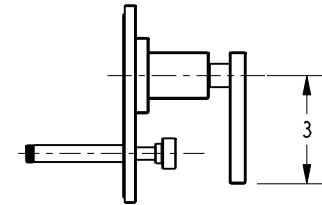
B

A



1 (SEE NOTE 1)  
6-3/16 MAX  
5-3/16 MIN

4-7/16 MAX  
3-1/2 MIN



DIMENSIONS ARE IN INCHES AND AN APPROXIMATION OF A TYPICAL INSTALLATION

COPYRIGHT 2005 BRASSTECH, INC. THESE DRAWINGS AND THE DESIGNS DEPICTED HEREIN ARE THE PROPRIETARY PROPERTY OF BRASSTECH. ANY USE OR REPRODUCTION IS SUBJECT TO THE EXPRESS APPROVAL OF BRASSTECH. UNAUTHORIZED USE IS STRICTLY PROHIBITED. ALL RIGHTS RESERVED.

<b>BRASSTECH</b>		2001 E. CARNEGIE AVE. SANTA ANA, CA 92705 (949) 417-5207	
INCORPORATED			
DWG NO.	3-2042BP		REV -
SCALE .188	REF. -	SHEET 3 OF 3	