

4

3

2

1

NOTES:

1. ITEM# 2 , 4 AND 5 ARE PRE-ASSEMBLED

2. PLACE ITEM# 1 AND 3 IN SEPARATE BAG

BILL OF MATERIAL (CURRENT LEVEL)

ITEM	PT/ASSY	DESCRIPTION	TYPE	QTY.
1	7-675	PIVOTING TISSUE HOLDER ASSY	ASSEMBLY	1
2	02XXG	MOUNTING BRACKET	PART	2
3	1-206	HARDWARE PACK	ASSEMBLY	2
4	92461	SCRW,M6X1X6 CONE POINT SS SET SCREW	PART	2
5	10615	3MM ALLOY STEEL HEX KEY	PART	1

D

C

B

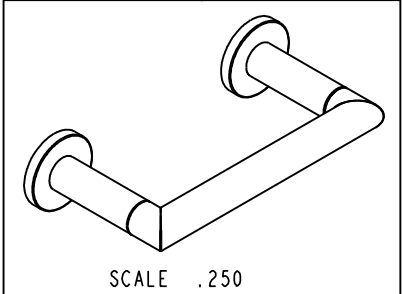
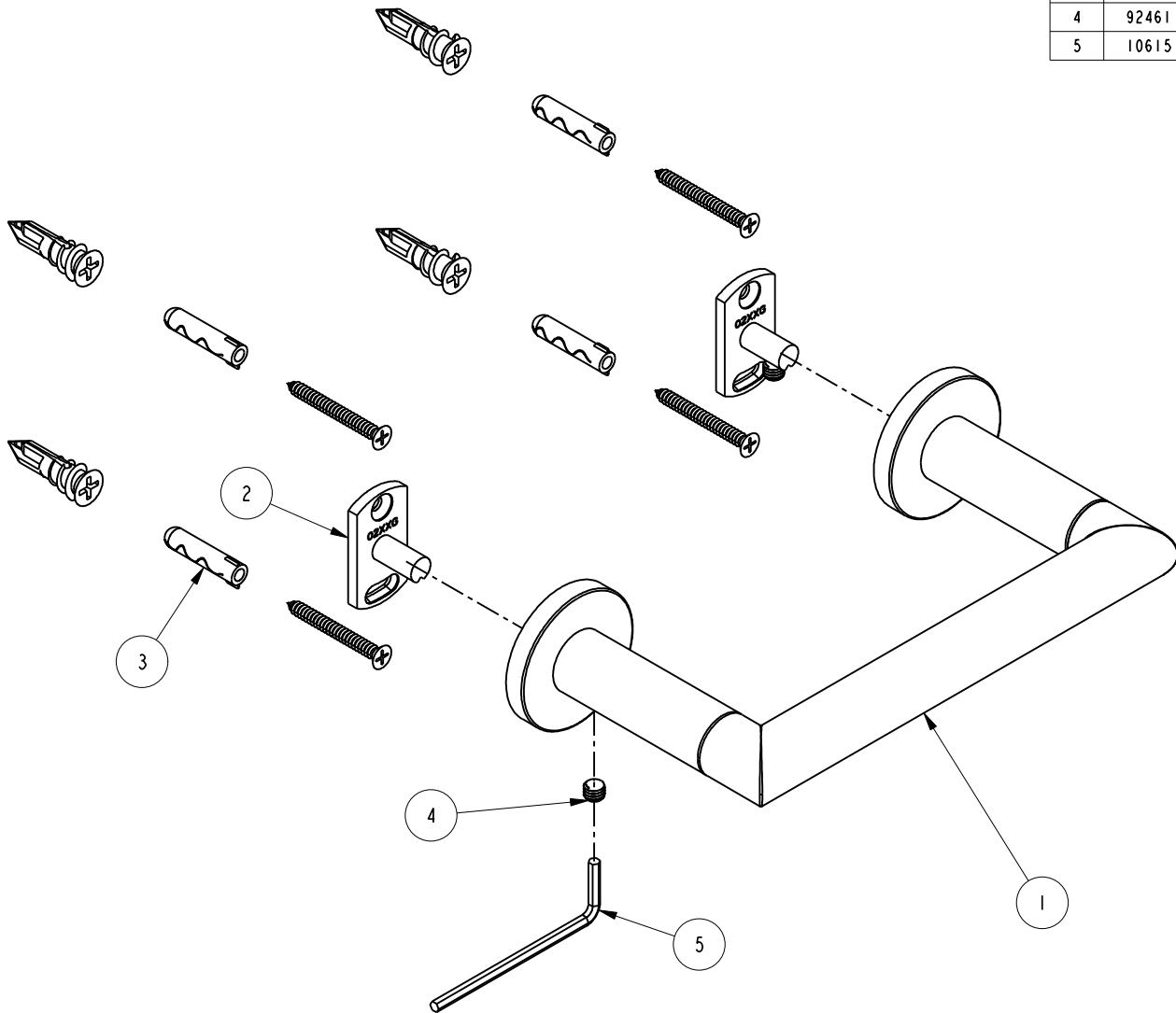
A

D

C

B

A



COPYRIGHT 2005 BRASSTECH, INC. THESE DRAWINGS AND THE DESIGNS DEPICTED HEREIN ARE THE PROPRIETARY PROPERTY OF BRASSTECH. ANY USE OR REPRODUCTION IS SUBJECT TO THE EXPRESS APPROVAL OF BRASSTECH. UNAUTHORIZED USE IS STRICTLY PROHIBITED. ALL RIGHTS RESERVED.

BRASSTECH
 INCORPORATED
 2001 E. CARNEGIE AVE.
 SANTA ANA, CA 92705
 (949) 417-5207

PIVOTING TISSUE HOLDER

ASSY. NO.	36-28			-	-	-
SCALE .500	REF. -	SHEET 1 OF 2	REV	REV DESC	DATE	-

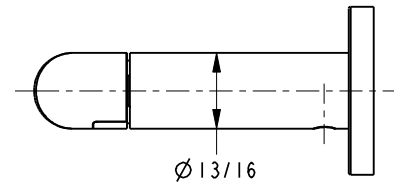
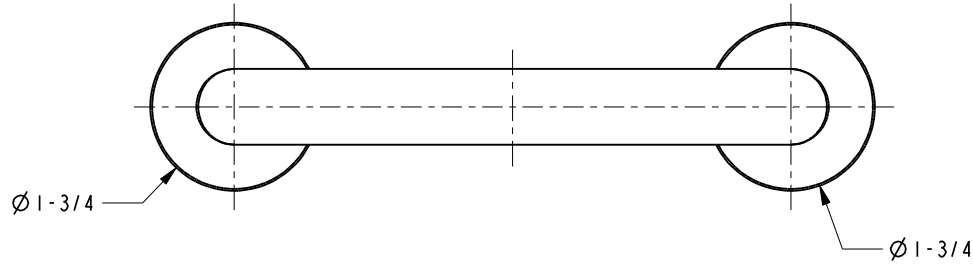
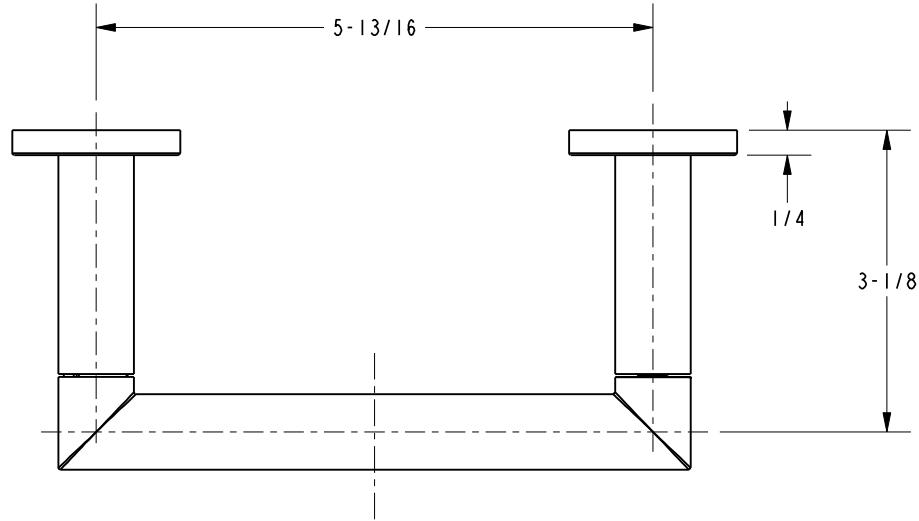
4

3

2

1

SPECIFICATION DWG



DIMENSIONS ARE IN INCHES AND AN APPROXIMATION OF A TYPICAL INSTALLATION

COPYRIGHT 2005 BRASSTECH, INC. THESE DRAWINGS AND THE DESIGNS DEPICTED HEREIN ARE THE PROPRIETARY PROPERTY OF BRASSTECH. ANY USE OR REPRODUCTION IS SUBJECT TO THE EXPRESS APPROVAL OF BRASSTECH. UNAUTHORIZED USE IS STRICTLY PROHIBITED. ALL RIGHTS RESERVED.

BRASSTECH		2001 E. CARNEGIE AVE. SANTA ANA, CA 92705 (949) 417-5207	
DWG NO.	36-28	REF.	REV -
SCALE	.500	SHEET	2 OF 2