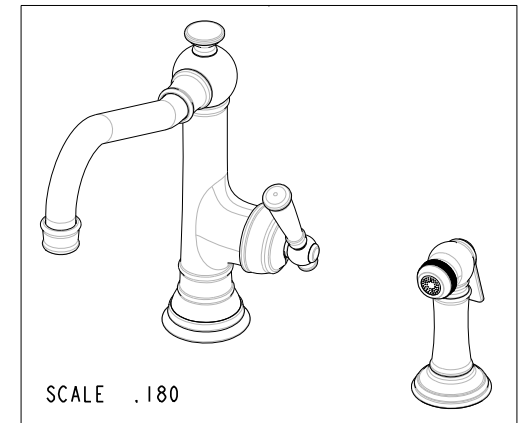
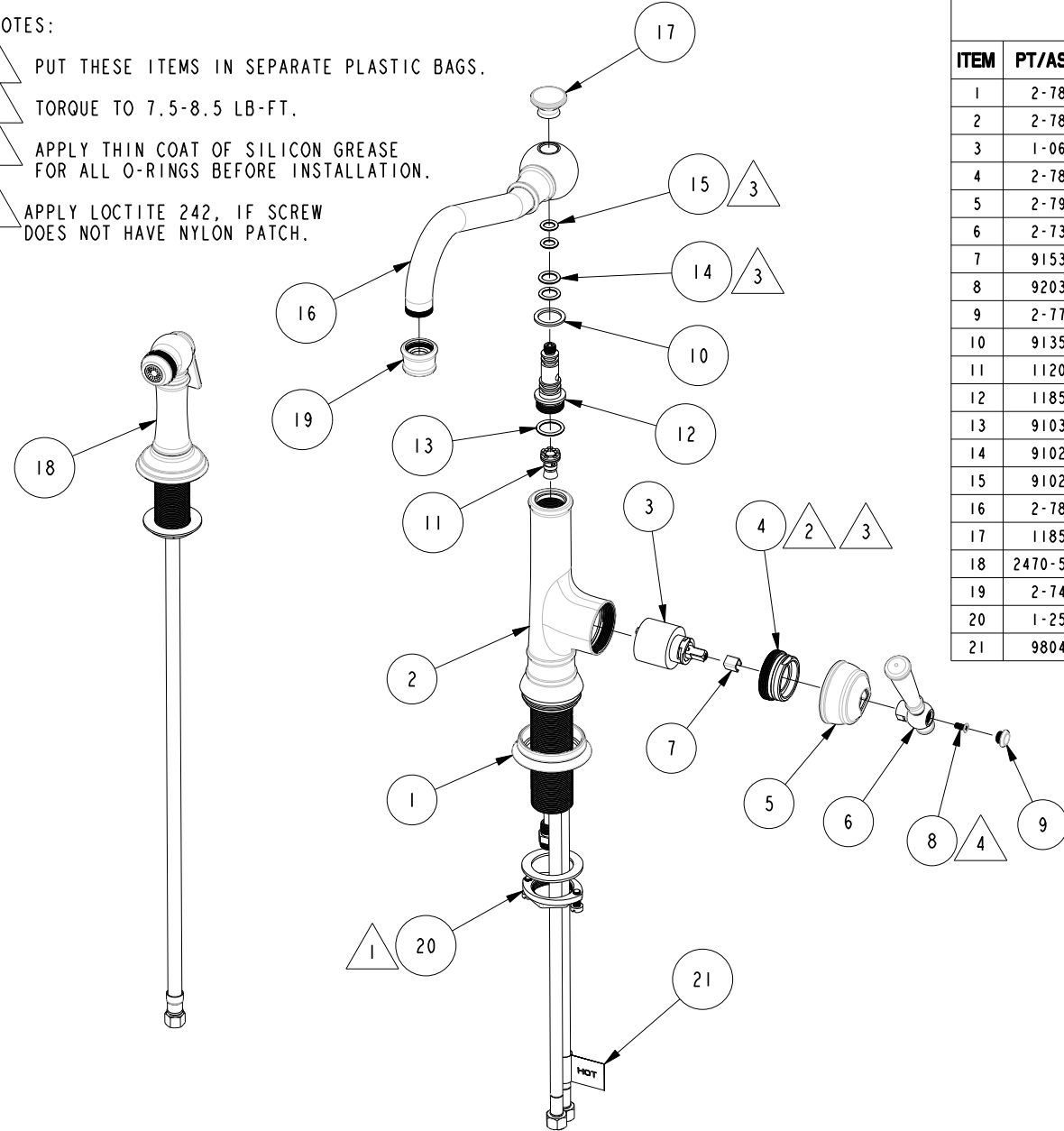


NOTES:

- 1 PUT THESE ITEMS IN SEPARATE PLASTIC BAGS.
- 2 TORQUE TO 7.5-8.5 LB-FT.
- 3 APPLY THIN COAT OF SILICON GREASE FOR ALL O-RINGS BEFORE INSTALLATION.
- 4 APPLY LOCTITE 242, IF SCREW DOES NOT HAVE NYLON PATCH.

BILL OF MATERIAL (CURRENT LEVEL)

ITEM	PT/ASSY	DESCRIPTION	TYPE	QTY.
1	2-783	BASE RING ASM	ASSEMBLY	1
2	2-788	MAIN BODY ASM , JACOBEAN	ASSEMBLY	1
3	1-064	SINGLE LEVER CARTRIDGE	PART	1
4	2-781	CART. RETAINER ASM	ASSEMBLY	1
5	2-793	HANDLE HUB ASM, JACOBEAN	ASSEMBLY	1
6	2-733	HANDLE ASM, JACOBEAN	ASSEMBLY	1
7	91534	CARTRIDGE STEM INSERT	PART	1
8	92035	SCRW, M4 X .7 X 10 PHL FLT HD SS	PART	1
9	2-778	CAP ASM	ASSEMBLY	1
10	91353	WSHR, .75 ID X 1.0 OD X .062 THK, FLT, TEFLON	PART	1
11	11208	DIVERTER	ASSEMBLY	1
12	11856	SWIVEL ADAPTER	PART	1
13	91030	O-RING, #2- 115, EPDM, 65-75 DURO, NSF 61	PART	1
14	91027	O-RING, #2- 112, EPDM, 65-75 DURO, NSF 61	PART	2
15	91025	O-RING, #2- 110, EPDM, 65-75 DURO, NSF 61	PART	2
16	2-786	SPOUT ASM	ASSEMBLY	1
17	11855	FINIAL NUT	PART	1
18	2470-5703	JACOBEAN SIDE SPRAY	ASSEMBLY	1
19	2-746	AERATOR ASSEMBLY	ASSEMBLY	1
20	1-256	MOUNTING KIT	ASSEMBLY	1
21	98044	LABEL - HOT	PART	1



COPYRIGHT 2005 BRASSTECH, INC. THESE DRAWINGS AND THE DESIGNS DEPICTED HEREIN ARE THE PROPRIETARY PROPERTY OF BRASSTECH. ANY USE OR REPRODUCTION IS SUBJECT TO THE EXPRESS APPROVAL OF BRASSTECH. UNAUTHORIZED USE IS STRICTLY PROHIBITED. ALL RIGHTS RESERVED.

**BRASSTECH**  
INCORPORATED  
2001 E. CARNEGIE AVE.  
SANTA ANA, CA 92705  
(949) 417-5207

JACOBEAN SINGLE HOLE - KITCHEN FAUCET

ASSY. NO. **2470-5313**

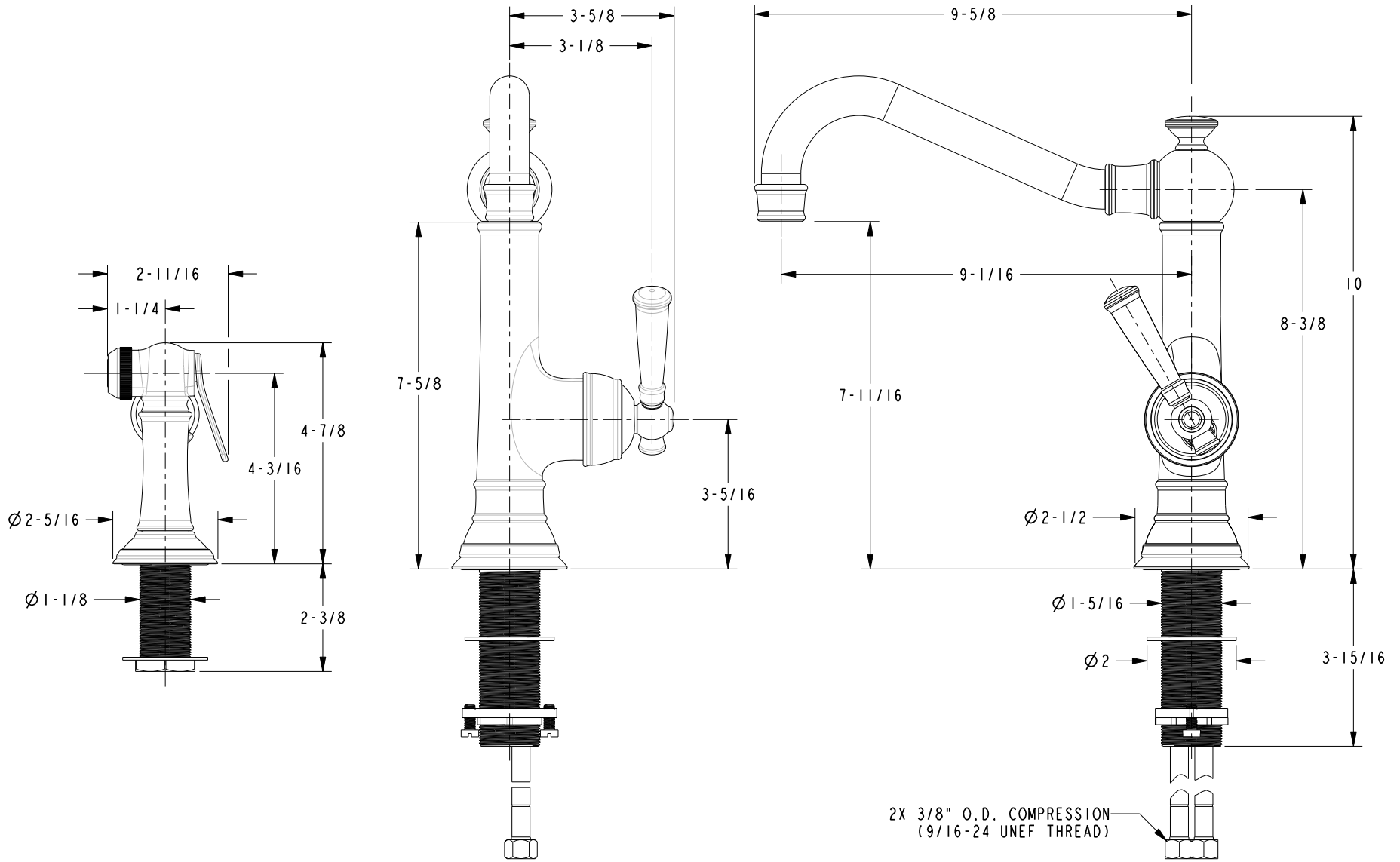
SCALE .180

REF. -

SHEET 1 OF 2

J	EN-2500	04/22/13
H	EN-2358	02/12/13
G	EN-2358	11/15/12
F	EN-2211	07/06/12
E	EN-2181	06/11/12
D	EN-2140	04/30/12
REV	REV DESC	DATE

SPECIFICATION DWG



DIMENSIONS ARE IN INCHES AND AN APPROXIMATION OF A TYPICAL INSTALLATION

COPYRIGHT 2005 BRASSTECH, INC. THESE DRAWINGS AND THE DESIGNS DEPICTED HEREIN ARE THE PROPRIETARY PROPERTY OF BRASSTECH. ANY USE OR REPRODUCTION IS SUBJECT TO THE EXPRESS APPROVAL OF BRASSTECH. UNAUTHORIZED USE IS STRICTLY PROHIBITED. ALL RIGHTS RESERVED.

<b>BRASSTECH</b>		2001 CARNEGIE AVE. SANTA ANA, CA 92705 (949) 417-5207	
INCORPORATED			
DWG NO.	2470-5313		REV J
SCALE	.313	REF.	-
SHEET		2	OF 2