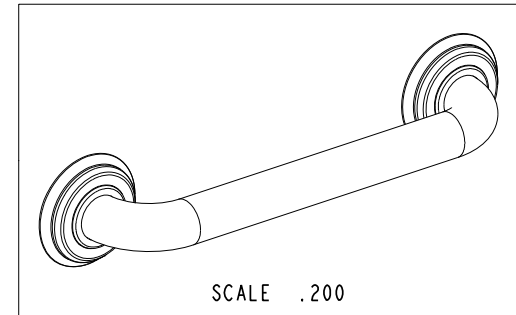
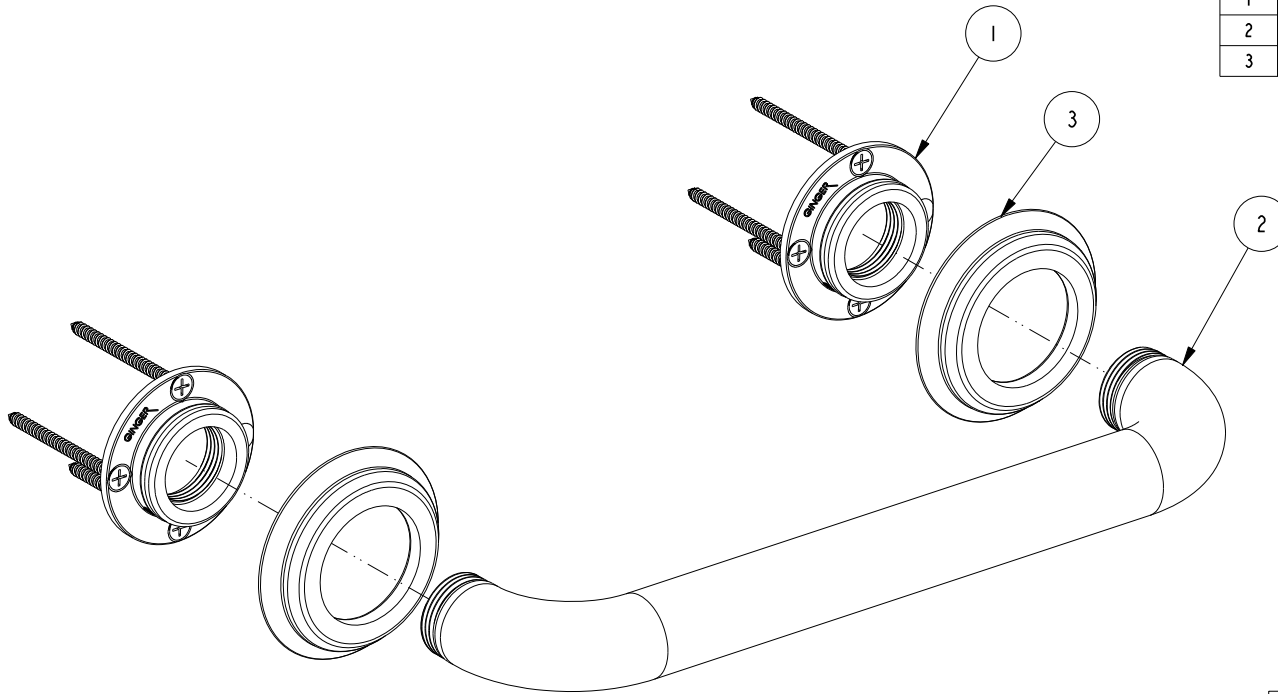


NOTES:

(N1) 1. FIT / FORM / FUNCTION SHALL FOLLOW PS-E.008.

BILL OF MATERIAL (CURRENT LEVEL)

ITEM	PT/ASSY	DESCRIPTION	TYPE	QTY.
1	20-287	GRAB BAR MOUNTING HARDWARE PACK	ASSEMBLY	2
2	5080	GRAB BAR AND ADAPTER ASSY	ASSEMBLY	1
3	40678	DECORATIVE RING	PART	2



TESTING	-	-	-	UNITS ARE: INCHES [MM]	
ASSEMBLY	-	-	-	TOLERANCES ARE:	
PLATING	-	-	-	FRACTIONS DECIMALS ANGLES	
POLISHING	-	-	-	±1/16" .X ±.1 [2.5] ±1°	
MACHINING	-	NEXT ASSY	USED ON	.XX ±.06 [1.5]	
TOOLING FIXTURE #				(X.XXX) DENOTES CRITICAL DIMS.	
				ALL THREADS ARE CRITICAL	
				DRAWN	R.S. 06/28/17
				CHECKED	J.M. 06/28/17
				APPROVED	J.M. 06/28/17
				APPLICATION	
				REMOVE ALL BURRS AND SHARP EDGES	

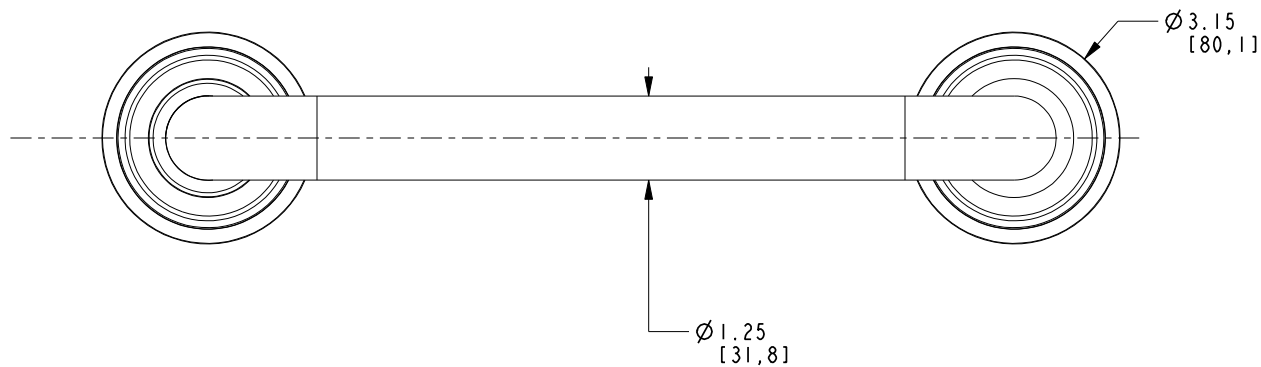
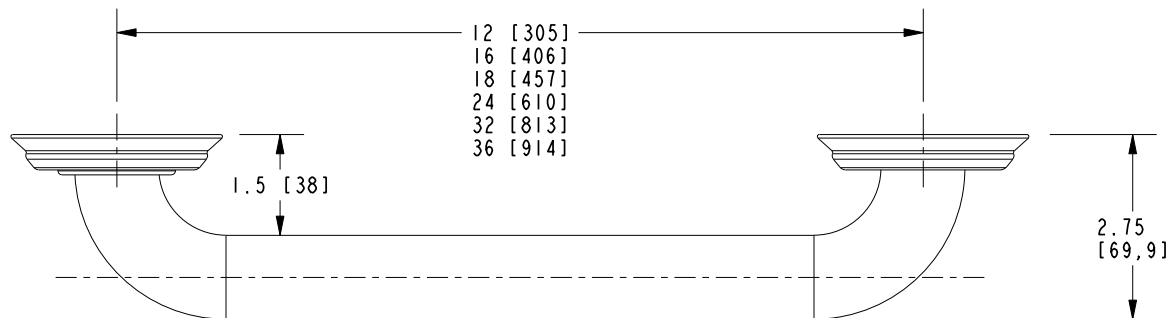
BRASSTECH 2001 CARNEGIE AVE.
INCORPORATED SANTA ANA, CA 92705
(949) 417-5207

12" CURVED GRAB BAR ASSEMBLY

DWG NO.	2400-3912	REV	-
SCALE	.375	REF.	-
SHEET	1	OF	2

COPYRIGHT 2005 BRASSTECH, INC.
THESE DRAWINGS AND THE DESIGNS
DEPICTED HEREIN ARE THE PROPRIETARY
PROPERTY OF BRASSTECH. ANY USE
OR REPRODUCTION IS SUBJECT TO
THE EXPRESS APPROVAL OF BRASSTECH.
UNAUTHORIZED USE IS STRICTLY
PROHIBITED. ALL RIGHTS RESERVED.

EN-3279b	07/03/17	J.M		
ZONE	REV	DESCRIPTION	DATE	APPROVED



 MEETS OR EXCEEDS ASTM F446 STANDARDS AND CONFORMS TO ADA GUIDELINES.

BRASSTECH INCORPORATED		2001 E. CARNEGIE AVE. SANTA ANA, CA 92705 (949) 417-5207
DWG NO.	2400-3912	REV -
SCALE .350	REF. -	SHEET 2 OF 2